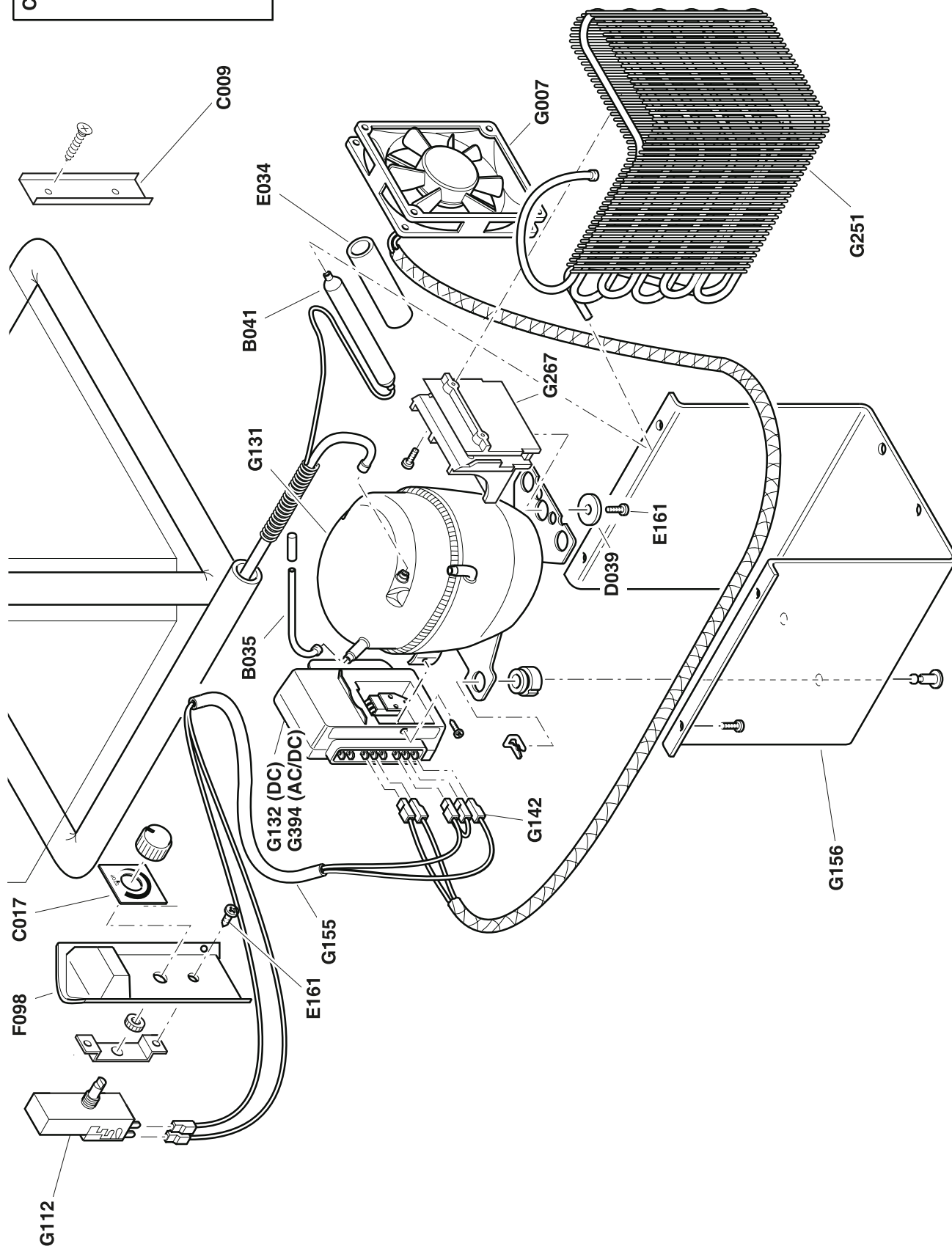
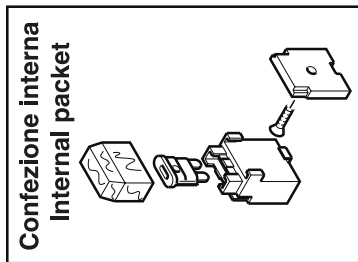


INDEL B P/N	DESCRIPTION
F095	Refrigerator Box
F097	Basket
F115	Lid
K085	Kristal Tube



INDEL B P/N	DESCRIPTION
B035	Compressor Pipe
B041	Filter
C009	Bracket of Thermostat Bulb
C017	Thermostat Knob
D039	Shim
E034	Pipe Protection
E161	Bolt
F098	Thermostat Holder
G007	Fan
G112	Thermostat
G131	Compressor
G132 (DC)	ECU
G142	Thermostat Wires
G155	Thermostat Wires Protection
G156	Compressor Base
G251	Condenser
G267	Condenser Bracket
G394 (AC/DC)	ECU