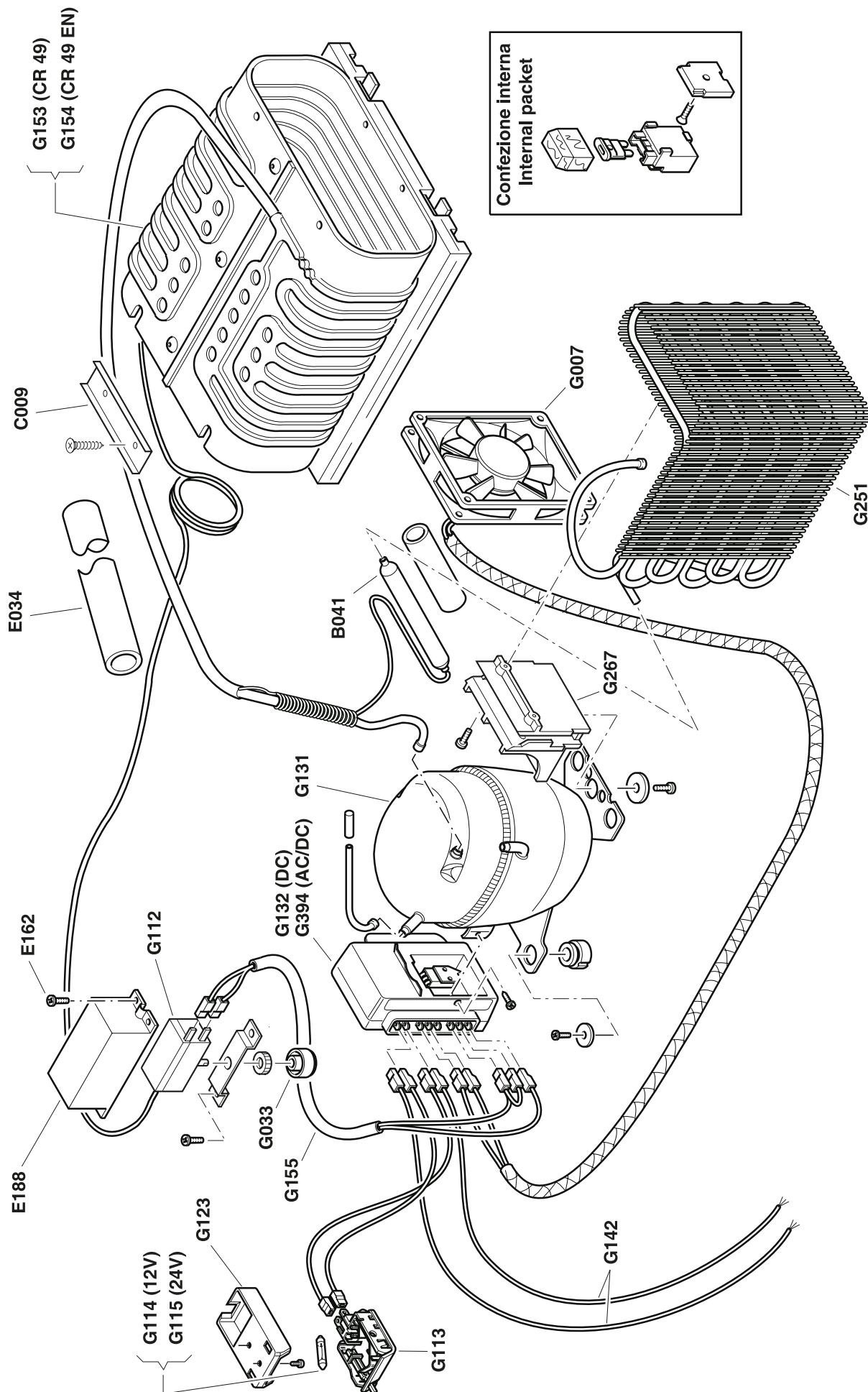


INDEL B P/N	DESCRIPTION
D001	Support for Drip Tray
D002	Drip Tray
D003	Frontal Differential
D004	Rear Differential
D005	Shim
D006	Bolt
D007	Evaporator Door
E162	Bolt
E191	Bolt
F005	Handle
F008	Ice Pan
F052	Handle Cap
F065	Pivot
F092	Profile
F093	Grid
F094	Top
F100	Door Panel
F134	Refrigerator Door
K071	Hinge
K075	Pivot Support
K077	Pivot
K080	Upper Bottles Retainer
K093	Lower Bottles Retainer
K094	Metal Retainer



INDEL B P/N	DESCRIPTION
B041	Filter
C009	Bracket of Thermostat Bulb
E034	Pipe Protection
E162	Bolt
E188	Thermostat protection Box
G007	Fan
G033	Thermostat Knob
G112	Thermostat
G113	Light Fixture
G114 (12V)	Light Bulb
G115 (24V)	Light Bulb
G123	Light Bulb Glass
G131	Compressor
G132 (DC)	ECU
G142	Thermostat Connection Wire
G153 (CR 49)	Evaporator
G154 (CR 49 EN)	Evaporator
G155	Thermostat Wires Protection
G251	Condenser
G267	Condenser Support
G394 (AC/DC)	ECU