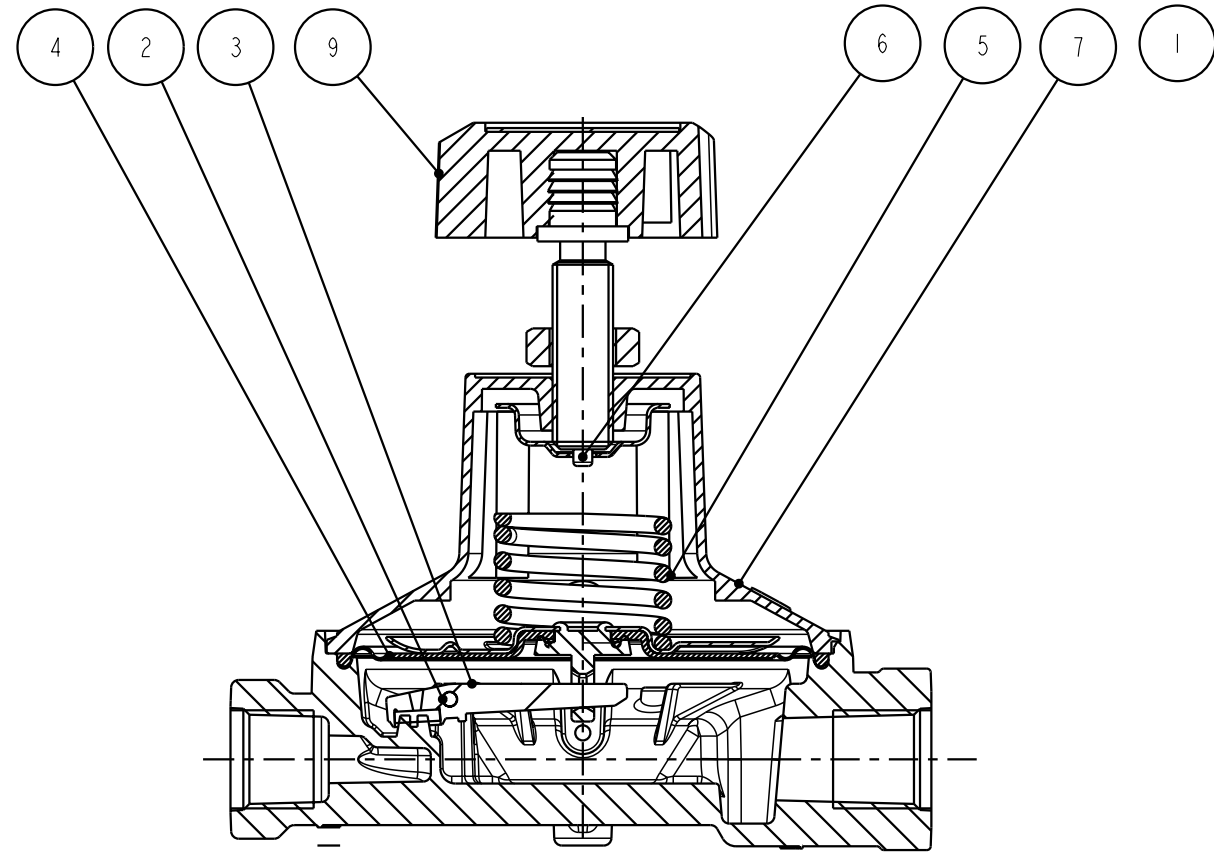


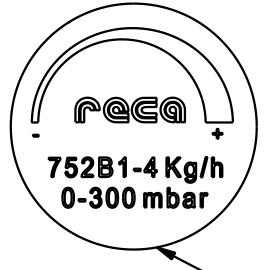
This drawing may not be copied or distributed in any way without the written permission of Cavagna Group Div. RE.CA. Via Matteotti, 5 - Calvisano - BS - Italy



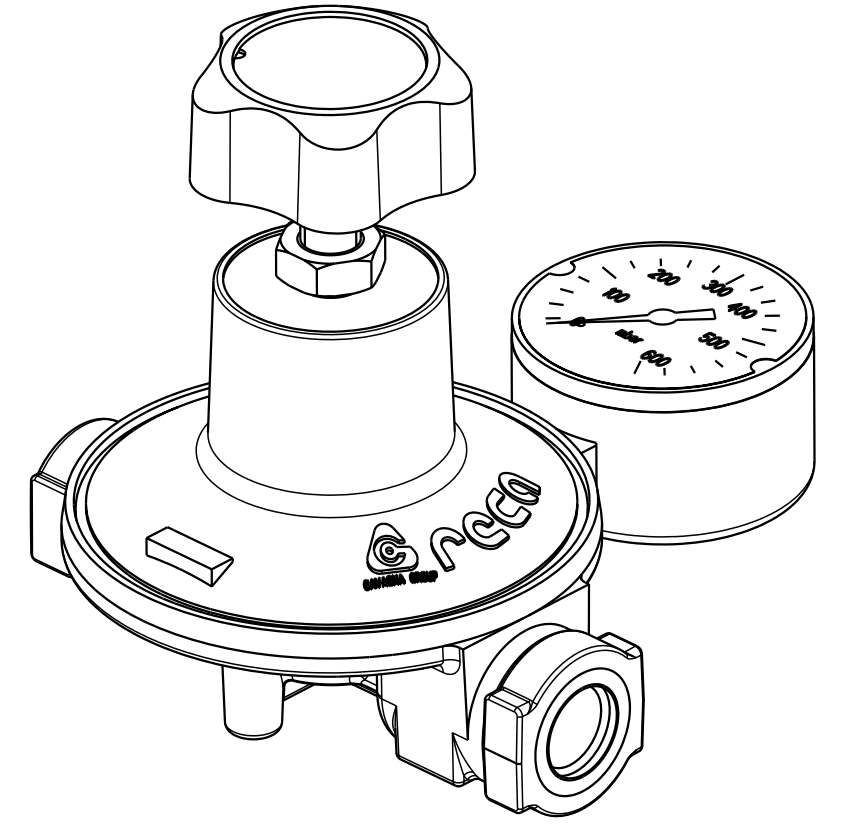
**752B1**  
**REGULATOR 0+300 mbar**  
 LPG  
 0+300 mbar 4 kg/h  
 INLET: G1/4 FEMALE  
 OUTLET: G1/4 FEMALE

7512900013

— LABEL FOR SINGLE BOX

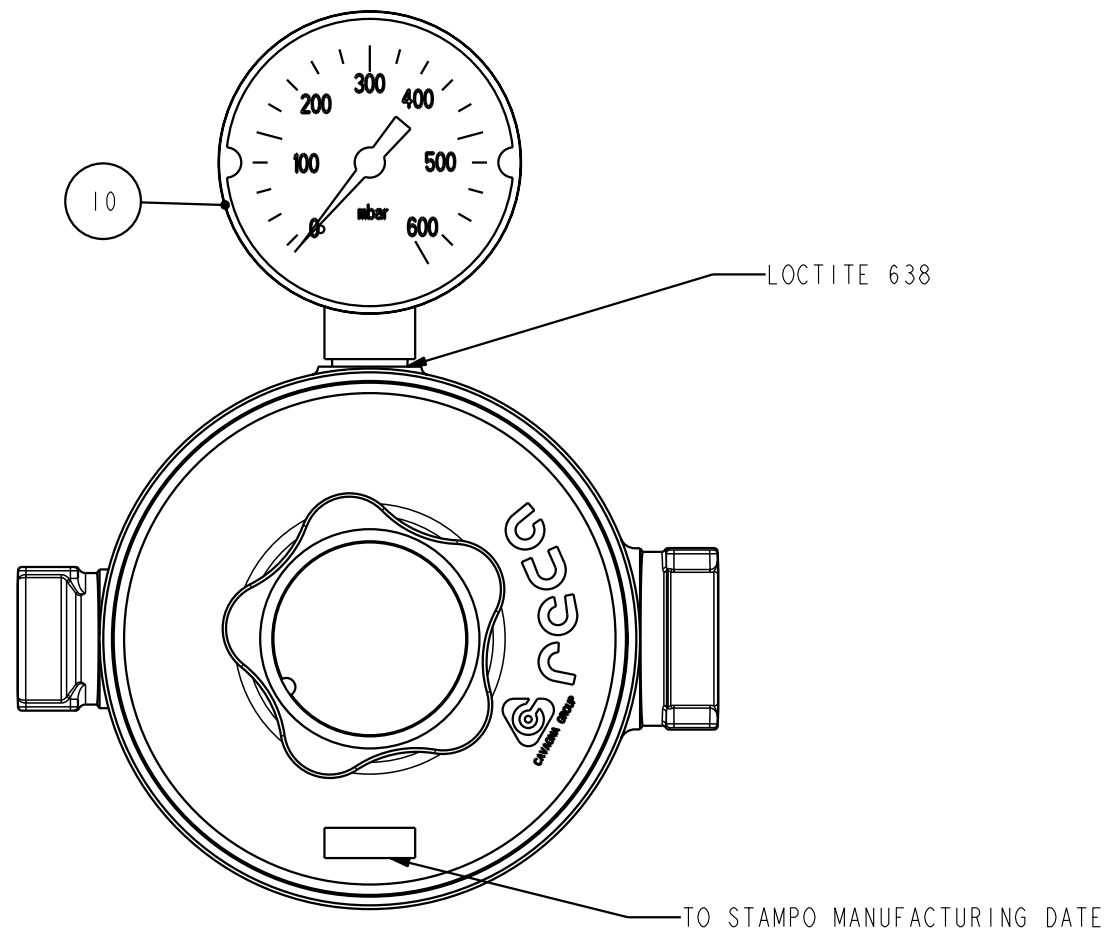


— NAMEPLATE



S/A 13-1-950-0002 IS ASSEMBLED

NO	NO PRODUCT	DENOMINATION	Q.TY
1	00-1-150-1591	SCATOLA MOD. 75 LAVORATA	1
2	05-1-110-0001	STANDARD LEVER PIN	1
3	02-1-950-0009	S/I LEVETTA STANDARD IN ZAMA	1
4	09-1-950-0027	S/A DIAPHRAGM STANDARD	1
5	07-1-110-0110	MOLLA DI TARATURA 0-300 mbar	1
6	08-1-110-0001	SPRING RETAINER Ø23	1
7	01-1-150-0089	COPERCHIO SEMIREGOLABILE	1
8	24-1-110-0001	WHITE ALUMINIUM RAL 9006	1
9	13-1-950-0002	HANDWHEEL S/A	1
10	50-1-110-0005	MANOMETER 0-600 mbar (74/76 REG)	1
11	23-1-210-0011	IMBALLO STANDARD	1
12	34-1-210-2102	LABEL FOR SINGLE BOX	1
13	23-1-510-0004	STANDARD BOX (R9)	1



	<b>DENOMINATION</b>		ADJUSTABLE REGULATOR				LPG 0-300 mbar 4 Kg/h	
	N.A.							
RECA	MODEL	ORIFICE	INLET		OUTLET	SHARED	PROD. INT. GROUP	
	752	2.3	G1/4" FEMALE		G 1/4 FEMALE	-	-	
PERFORMANCE DOC.	COUNTRY	COUNTRY SPECIFIC	WEIGHT	SCALE	MODIFY FILE	PRODUCT NO		
752-001	BELGIO	N.A.	-	1:1	DM04959	75-1-290-0013		
PROD. EVOLUTION	PROJECT NO	RELEASE LEVEL	DRAWN BY	VERIFIED BY	APPROVED BY	DATE	REV	
DEFINITIVE	N.A.	APPROVED+	SCARPELLA A.	TOMASELLI L.	SCHLICK B.	11/03/14	8	