



# Technical Catalogue

## 2021





## Fiammastore

Van conversions and Camper vans	4
Awning introduction	38
Winch awnings for wall installation	48
Winch awnings for roof installation	60
Manual awnings	68
Awning accessories	74
Brackets	84
Side panels and front panels introduction	108
Front panels	109
Side panels	116
Enclosures introduction	120
Enclosures	126
Complete tents (awning+enclosure)	136
Rear door enclosure	140
Skirting	141
Panels and Enclosures accessories	142

## Carry-Bike

Carry-Bike introduction	148
Carry-Bike for Motorhome	160
Carry-Bike for Caravan	172
Carry-Bike for Camper van and Van conversion	180
Carry-Bike for SUV	208
Carry-Bike for Garage	210
Moto carriers	216
Carry-Bike accessories	218

## Comfort

Rooflight introduction	232
Rooflight	234
LED	252
Waterpumps introduction	256
Waterpumps	257
Tanks	262
Levellers	266
Stabilising jacks	270
Portable steps	271
Organizers	272
Luggage carriers introduction	274
Luggage carriers	274
Ladders introduction	279
Ladders	279
Roof boxes	285
Safety blocks	286
Security handles	289
Accessories for garage facility	291
Vehicle covers	295
Miscellaneous	297
Portable toilets	299

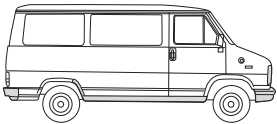
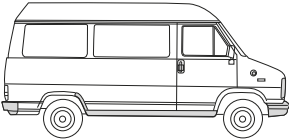


## MODELS AND DIMENSIONS

We list the models of vehicle and their sizes below, which you will find in the table “Van conversions and Camper vans”; the table identifies the bracket, awning, bike carrier and ladder appropriate to each vehicle model.

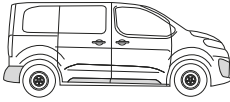

### CITROËN

#### CITROËN C25 ≥ 1981 ≤ 1994

	H1 - 2100 mm	H2 - 2415 mm
L - 4756 mm		

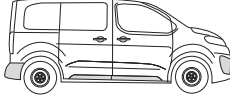

same vehicles: Fiat Ducato I series / Peugeot J5

#### CITROËN JUMPY III GEN.

	L - 4959 mm	
H - 1895 mm		

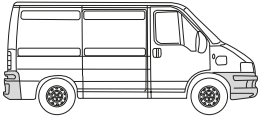
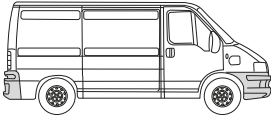
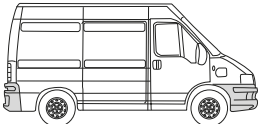
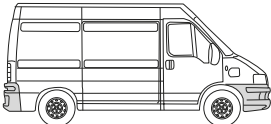
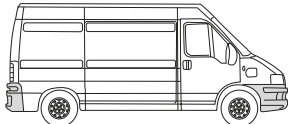
same vehicles: Citroën Spacetourer -  
Peugeot Expert III gen. - Peugeot Traveller -  
Toyota ProAce II - Toyota ProAce Verso -  
Opel Vivaro C - Opel Zafira Life 2019 &  
Vauxhall Vivaro Life 2019

#### CITROËN SPACETOURER

	L - 4956 mm	
H - 1890 mm		

same vehicles: Citroën Jumpy III gen. -  
Peugeot Expert III gen. - Peugeot Traveller -  
Toyota ProAce II - Toyota ProAce Verso -  
Opel Vivaro C - Opel Zafira Life 2019 &  
Vauxhall Vivaro Life 2019

#### CITROËN JUMPER - I SERIES ≥ 1994 ≤ 2006

	L1 - 4680 mm	L2 - 5099 mm	L3 - 5599 mm
H1 - 2102 mm			
H2 - 2152 mm			

same vehicles: Fiat Ducato II series - Peugeot Boxer I series



**☰ CITROËN**

CITROËN JUMPER - II III SERIES ≥ 2006

	L1 - 4963 mm	L2 - 5413 mm	L3 - 5998 mm	L4 - 6363 mm
H1 - 2254 mm				
H2 - 2524 mm				
H3 - 2764 mm				

same vehicles: Fiat Ducato III IV series - Peugeot Boxer II III series

**☰ DODGE**

DODGE SPRINTER ≥ 2006 ≤ 2016

	L1 - 5245 mm	L2 - 5910 mm	L3 - 6945 mm	L4 - 7345 mm
H2 - 2820 mm				
H3 - 3050 mm				

same vehicles: Mercedes Sprinter II series - Freightliner Sprinter - VW Crafter I gen.

the height values in relation to the road surface are subject to a tolerance of +/- 50mm

DODGE SPRINTER ≥ 2016

	L1 - 5267 mm	L2 - 5932 mm	L3 - 6967 mm	L4 - 7367 mm
H2 - 2642 mm				
H2 - 2638 mm				
H2 - 2616 mm				
H2 - 2613 mm				

same vehicles: Mercedes Sprinter III series - Freightliner Sprinter  
the height values in relation to the road surface are subject to a tolerance of +/- 50mm



**FIAT**

FIAT DUCATO I SERIES ≥ 1981 ≤ 1994

	H1 - 2100 mm	H2 - 2415 mm
L - 4756 mm		

same vehicles: Citroën C25 - Peugeot J5

FIAT DUCATO II SERIES ≥ 1994 ≤ 2006

	L1 - 4680 mm	L2 - 5099 mm	L3 - 5599 mm
H1 - 2102 mm			
H2 - 2152 mm			

same vehicles: Citroën Jumper I series - Peugeot Boxer I series

FIAT DUCATO III IV SERIES ≥ 2006

	L1 - 4963 mm	L2 - 5413 mm	L3 - 5998 mm	L4 - 6363 mm
H1 - 2254 mm				
H2 - 2524 mm				
H3 - 2764 mm				

same vehicles: Citroën Jumper II III series - Peugeot Boxer II III series



**FIAT**

FIAT DUCATO III IV SERIES ≥ 2006 - LIFT ROOF

	L2 - 5413 mm	L3 - 5598 mm	L4 - 6363 mm
H2 - 2524 mm			

same vehicles: HymerCar Lift Roof / Possi Lift Roof

FIAT TALENTO ≥ 2014

	L1 - 4999 mm	L2 - 5399 mm
H1 - 1971 mm		

same vehicles: Nissan NV 300 - Renault Trafic III series - Opel Vivaro / Vauxhall Vivaro B

**FREIGHTLINER**

FREIGHTLINER SPRINTER ≥ 2006 ≤ 2016

	L1 - 5245 mm	L2 - 5910 mm	L3 - 6945 mm	L4 - 7345 mm
H2 - 2820 mm				
H3 - 3050 mm				

same vehicles: Mercedes Sprinter II series - Dodge Sprinter - VW Crafter I series

the height values in relation to the road surface are subject to a tolerance of +/- 50mm

FREIGHTLINER SPRINTER ≥ 2016

	L1 - 5267 mm	L2 - 5932 mm	L3 - 6967 mm	L4 - 7367 mm
H2 - 2642 mm				
H2 - 2638 mm				
H2 - 2616 mm				
H2 - 2613 mm				

same vehicles: Mercedes Sprinter III series - Dodge Sprinter

the height values in relation to the road surface are subject to a tolerance of +/- 50mm



**FORD**

FORD CUSTOM ≥ 2012

	L1 - 4972 mm	L2 - 5339 mm
H1 - 2020 mm		

same vehicles: Transit Custom - Tournero Custom

FORD TRANSIT CUSTOM NUGGET ≥ 2019

	L1 - 4972 mm
H1 - 2060 mm	

FORD TRANSIT CUSTOM NUGGET ≥ 2015

	L2 - 5339 mm
H2 - 2389 mm	

FORD CUSTOM ≥ 2018

	L1 - 4972 mm
H1 - 2020 mm	

same vehicles: Cap Coast

FORD CUSTOM ≥ 2015 ≤ 2018

	L2 - 5339 mm
H1 - 2020 mm	

same vehicles: Cap Land - Cap Fun

FORD CUSTOM ≥ 2019

	L2 - 5339 mm
H1 - 2020 mm	

same vehicles: Cap Land - Cap Life

FORD ECONOVAN ≥ 1999 ≤ 2005

	L
H	

same vehicles: Ford Freda - Mazda Bongo IV series - Nissan Vanette - Mitsubishi Delica IV series

FORD FREDA ≥ 1999 ≤ 2005

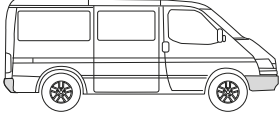

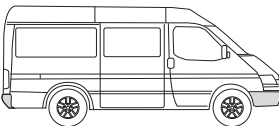
	L
H	

same vehicles: Mazda Bongo IV series - Mitsubishi Delica IV series - Nissan Vanette - Ford Econovan (AUS)

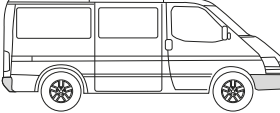
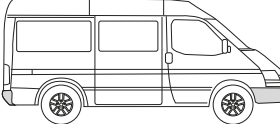
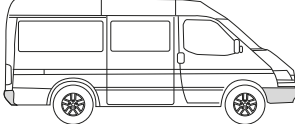
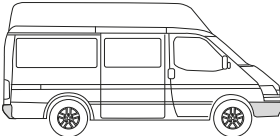


**FORD**

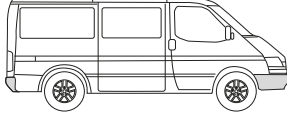
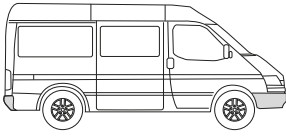
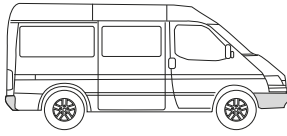
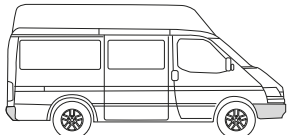
FORD TRANSIT MK3 ≥ 1987 ≤ 1991

	L1 - 4616 mm		L2 - 5403 mm
H1 - 1552 mm		H1 - 1650 mm	
H2 - 1822 mm			

FORD TRANSIT MK4 ≥ 1991 ≤ 1994

	L1 - 4642 mm	L2 - 5403 mm
H1 - 2012 mm		
H2 - 2130 mm		
H3 - 2603 mm		

FORD TRANSIT MK5 ≥ 1994 ≤ 2000

	L1 - 4650 mm	L2 - 5372 mm	L3 - 5970 mm
H1 - 1962 mm			
H2 - 2136 mm			
H3 - 2602 mm			



**FORD**

FORD TRANSIT MK6 ≥ 2000 ≤ 2006

	L1 - 4825 mm	L2 - 5203 mm	L3 - 6403 mm
H1 - 1970 mm			
H2 - 2385 mm			
H3 - 2600 mm			H3 - 2624 mm 

FORD TRANSIT MK7 ≥ 2006 ≤ 2014

	L1 - 4864 mm	L2 - 5220 mm	L3 - 6404 mm
H1 - 1980 mm			
H2 - 2380 mm			
H3 - 2600 mm			H3 - 2624 mm 

FORD TRANSIT MK8 ≥ 2014

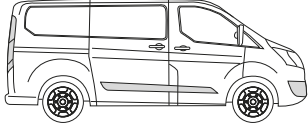
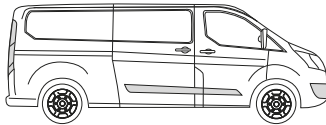
	L2 - 5531 mm	L3 - 5981 mm	L4 - 6704 mm
H2 - 2426/2543 mm			
H3 - 2665/2790 mm			





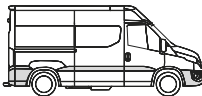
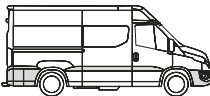
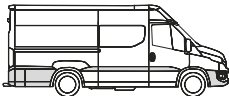
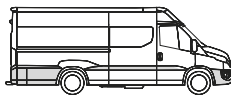
**HYUNDAI**

HYUNDAI H350

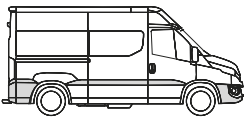
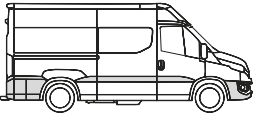
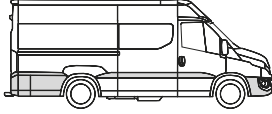
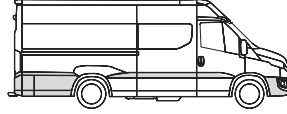
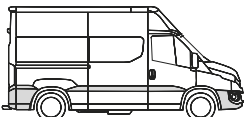
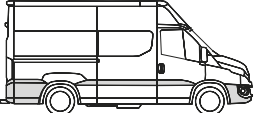
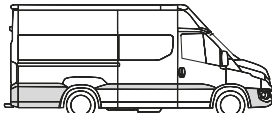
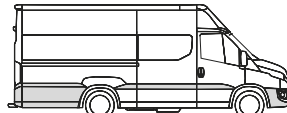
	L1 - 5515 mm		L2 - 6195 mm
H1 - 2685 mm		H1 - 2690 mm	

**IVECO**

IVECO DAILY IV SERIES ≥ 2006 < 2014

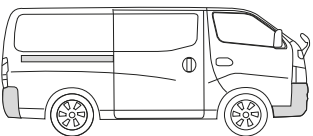
	L1 - 5077 mm	L2 - 5477 mm	L3 - 5977 mm	L4 - 7012 mm
H2 - 2760 mm				

IVECO DAILY V SERIES ≥ 2014 < 2019

	L1 - 5130 mm	L2 - 5650 mm	L3 - 6050 mm	L4 - 7230 mm
H2 - 2800 mm				
H3 - 2915 mm				

**ISUZU**

COMO II SERIES ≥ 2012

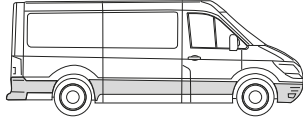
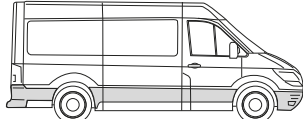
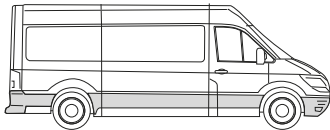
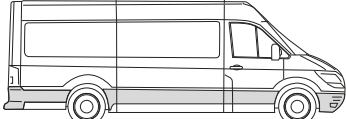
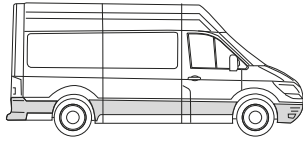
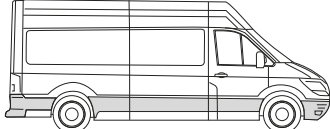
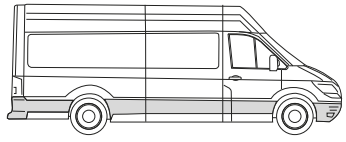
	L2 - 5230 mm
H1 - 1990 mm	

same vehicles: Nissan NV 350 -  
Nissan Impendulo - Mitsubishi Fuso Canter Van



**MAN**

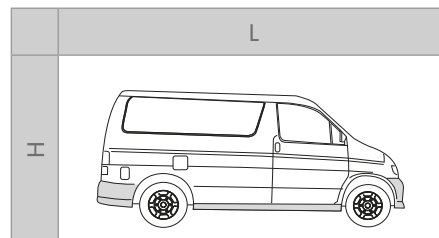
MAN TGE ≥ 2017

	L3 - 5986 mm	L4 - 6836 mm	L5 - 7391 mm
H2 - 2355 mm			
H3 - 2590 mm			
H4 - 2835 mm			

same vehicles: VW Crafter II gen.  
the height values in relation to the road surface are subject to a tolerance of +/- 50mm

**MAZDA**

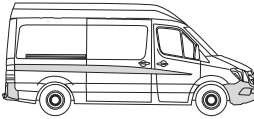
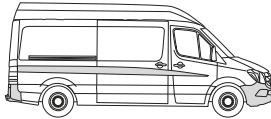
MAZDA BONGO IV SERIES  
≥ 1999 < 2005



same vehicles: Ford Freda - Mitsubishi Delica IV -  
Nissan Vanette - Ford Ewithovan (AUS)

**MERCEDES**

MERCEDES SPRINTER I SERIES ≥ 1995 ≤ 2006

	L1 - 4999 mm	L2 - 5399 mm
H2 - 2465 mm		

same vehicles: Mercedes Benz T1N  
(Japanese market)



**III MERCEDES**

MERCEDES SPRINTER II SERIES ≥ 2006 < 2016

	L1 - 5245 mm	L2 - 5910 mm	L3 - 6945 mm	L4 - 7345 mm
H2 - 2820 mm				
H3 - 3050 mm				

same vehicles: Freightliner Sprinter - Dodge Sprinter - VW Crafter I series  
the height values in relation to the road surface are subject to a tolerance of +/- 50mm

MERCEDES SPRINTER III SERIES ≥ 2016

	L1 - 5267 mm		L2 - 5932 mm		L3 - 6967 mm		L4 - 7367 mm
H2 - 2642 mm		H2 - 2638 mm		H2 - 2616 mm		H2 - 2613 mm	

same vehicles: Freightliner Sprinter - Dodge Sprinter  
the height values in relation to the road surface are subject to a tolerance of +/- 50mm

MERCEDES V CLASS VITO I SERIES ≥ 1996 < 2003

	L1 - 4660 mm	L1 - 4660 mm - MARCO POLO
H1 - 1890 mm		

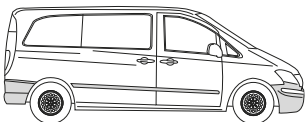
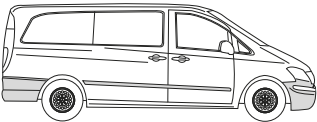
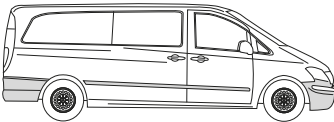
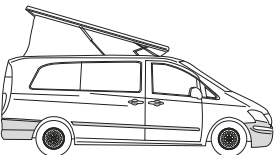
MERCEDES V CLASS VITO II SERIES ≥ 2003 ≤ 2013

	L1 - 4748 mm	L2 - 4993 mm	L3 - 5223 mm
H1 - 1903 mm			
		L2 - 4993 mm - MARCO POLO	
H1 - 1903 mm			



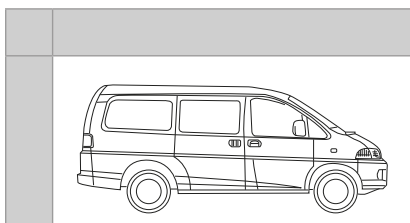
**III MERCEDES**

MERCEDES V CLASS VITO III SERIES ≥ 2014

	L1 - 4895 mm	L2 - 5140 mm	L3 - 5370 mm
H1 - 1890 /1910 mm			
		L2 - 5140 mm - MARCO POLO - JULES VERNE	
H1 - 1990 mm			

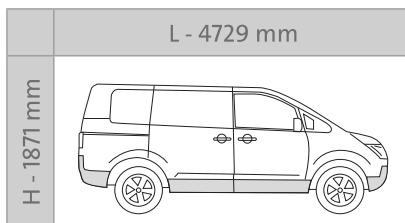
**III MITSUBISHI**

MITSUBISHI DELICA IV ≥ 1999 ≤ 2005



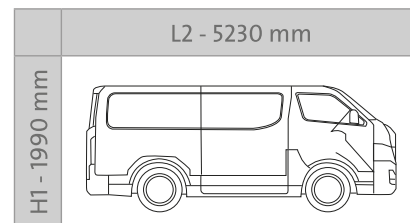
same vehicles: Ford Freda - Mazda Bongo IV - Nissan Vanette - Ford Econovan (AUS)

MITSUBISHI DELICA V ≥ 2007



same vehicles: Nissan Evalia - Nissan NV 200

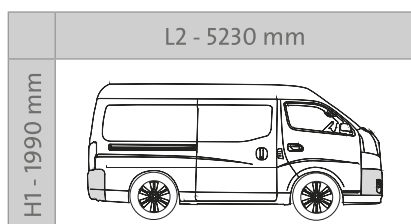
MITSUBISHI FUSOCANTERVAN ≥ 2012



same vehicles: Nissan NV 350 - Nissan Impendulo - Isuzu Como

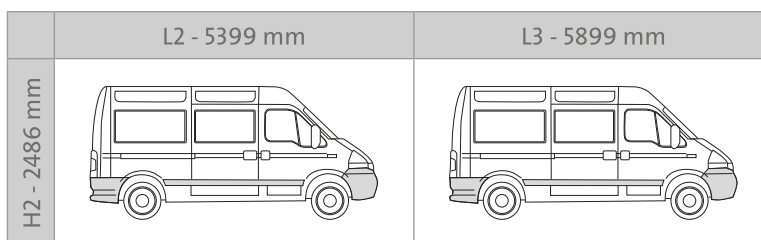
**III NISSAN**

NISSAN IMPENDULO ≥ 2012



same vehicles: Nissan NV 350 - Isuzu Como - Mitsubishi Fuso Canter Van

NISSAN INTERSTAR ≥ 1998 ≤ 2011



same vehicles: Opel Movano / Vauxhall Movano I series- Renault Master II series



**NISSAN**

NISSAN NV 300

	L1 - 4999 mm	L2 - 5399 mm
H1 - 1971 mm		

same vehicles: Fiat Talento - Renault Trafic III series - Opel Vivaro / Vauxhall Vivaro B

NISSAN EVALIA ≥ 2010

	L1 - 4400 mm
H1 - 1860 mm	

same vehicles: Nissan NV 200 - Mitsubishi Delica V

NISSAN NV 200 ≥ 2009

	L1 - 4400 mm
H1 - 1860 mm	

same vehicles: Nissan Evalia - Mitsubishi Delica

NISSAN NV 350 ≥ 2012

	L2 - 5230 mm
H1 - 1990 mm	

same vehicles: Nissan Impendulo - Isuzu Como - Mitsubishi Fuso Canter Van

NISSAN PRIMASTAR I II SERIES ≥ 2001 < 2014

	L1 - 4782 mm	L2 - 5182 mm
H1 - 1955/1963 mm		
H2 - 2464 mm		

same vehicles: Renault Trafic II series - Opel Vivaro - Vauxhall Vivaro A

NISSAN VANETTE ≥ 1999 ≤ 2005

	L
H1	

same vehicles: Ford Freda - Mazda Bongo IV - Mitsubishi Delica IV - Ford Econovan (AUS)

NISSAN NV 400 ≥ 2011

	L2 - 5548 mm	L3 - 6198 mm
H2 - 2502 mm		

same vehicles: Renault Master III series - Opel Movano / Vauxhall Movano II series



**III OPEL**

OPEL / VAUXHALL VIVARO A ≥ 2001 ≤ 2014

	L1 - 4782 mm	L2 - 5182 mm
H1 - 1959 mm		
H2 - 2497 mm		

same vehicles: Nissan Primastar I II series - Renault Trafic II series

OPEL / VAUXHALL VIVARO B ≥ 2014 ≤ 2018

	L1 - 4998 mm	L2 - 5398 mm
H1 - 1971 mm		

same vehicles: Nissan NV 300 - Renault Trafic III series - Fiat Talento

OPEL / VAUXHALL MOVANO I SERIES ≥ 1998 ≤ 2010

	L2 - 5399 mm	L3 - 5899 mm
H2 - 2486 mm		

same vehicles: Nissan Interstar - Renault Master II series

OPEL / VAUXHALL MOVANO II SERIES ≥ 2011

	L2 - 5548 mm	L3 - 6198 mm
H2 - 2502 mm		

same vehicles: Nissan NV 400 - Renault Master III series

OPEL ZAFIRA LIFE 2019 & VAUXHALL VIVARO LIFE 2019

	L - 4956 mm	
H - 1890/1930 mm		

same vehicles: Citroën Jumpy III gen. - Citroën Spacetourer - Peugeot Expert III gen. - Peugeot Traveller - Toyota ProAce II - Toyota ProAce Verso - Opel Vivaro C

OPEL VIVARO C

	L - 4959 mm	
H - 1881/1940 mm		

same vehicles: Citroën Jumpy III gen. - Citroën Spacetourer - Peugeot Expert III gen. - Peugeot Traveller - Toyota ProAce II - Toyota ProAce Verso - Opel Zafira Life 2019 & Vauxhall Vivaro Life 2019



PEUGEOT

PEUGEOT J5 ≥ 1981 ≤ 1994

	H1 - 2100 mm	H2 - 2415 mm
L - 4756 mm		

same vehicles: Citroën C25 - Fiat Ducato I series

PEUGEOT BOXER I SERIES ≥ 1994 < 2006

	L1 - 4680 mm	L2 - 5099 mm	L3 - 5599 mm
H1 - 2102 mm			
H2 - 2152 mm			

same vehicles: Citroën Jumper I series - Fiat Ducato II series

PEUGEOT BOXER II III SERIES ≥ 2006

	L1 - 4963 mm	L2 - 5413 mm	L3 - 5998 mm	L4 - 6363 mm
H1 - 2254 mm				
H2 - 2524 mm				
H3 - 2764 mm				

same vehicles: Citroën Jumper II III serie - Fiat Ducato III IV series



**PEUGEOT**

PEUGEOT EXPERT III GEN.

L - 4959 mm	
H - 1881/1940 mm	

same vehicles: Citroën Jumpy III gen. -  
 Citroën Spacetourer - Peugeot Traveller -  
 Toyota ProAce II - Toyota ProAce Verso -  
 Opel Vivaro C -  
 Opel Zafira Life 2019 & Vauxhall Vivaro Life 2019

PEUGEOT TRAVELLER

L - 4959 mm	
H - 1881/1980 mm	

same vehicles: Citroën Jumpy III gen. -  
 Citroën Spacetourer - Peugeot Expert III gen. -  
 Toyota ProAce II - Toyota ProAce Verso -  
 Opel Vivaro C -  
 Opel Zafira Life 2019 & Vauxhall Vivaro Life 2019

**RENAULT**

RENAULT MASTER II SERIES ≥ 1997 ≤ 2009

L2 - 5399 mm		L3 - 5899 mm	
H2 - 2486 mm			

same vehicles: Nissan Interstar -  
 Opel Movano / Vauxhall Movano I series

RENAULT MASTER III SERIES ≥ 2010

L2 - 5548 mm		L3 - 6198 mm	
H2 - 2502 mm			

same vehicles: Nissan NV 400 -  
 Opel Movano / Vauxhall Movano II series

RENAULT TRAFIC I SERIES ≥ 1981 ≤ 2001

L1 - 4337 mm		L2 - 4434 mm	
H1 - 2056 mm			
		L2 - 4834 mm	
H2 - 2457 mm			

RENAULT TRAFIC II SERIES ≥ 2001 ≤ 2014

L1 - 4782 mm		L2 - 5182 mm	
H1 - 1955/1969 mm			
H2 - 2464 mm			

same vehicles: Nissan Primastar I II series -  
 Opel Vivaro / Vauxhall Vivaro A





**RENAULT**

RENAULT TRAFIC III SERIES ≥ 2014

	L1 - 4999 mm		L2 - 5399 mm
H1 - 1967 / 71 mm		H1 - 1976 mm	

same vehicles: Fiat Talento - Nissan NV300 - Opel Vivaro / Vauxhall Vivaro B

RENAULT TRAFIC ≥ 2015 -  
RAPIDO AUTOCARAVAN

	L1 - 4999 mm
H2 - 2000 mm	

same vehicles: Dreamer Mirande S -  
Campereve Mirande S

**TOYOTA**

TOYOTA PRO ACE II

	L - 4959 mm	
H - 1899 / 1940 mm		

same vehicles: Citroën Jumpy III gen. -  
Citroën Spacetourer -  
Peugeot Traveller - Peugeot Expert III gen. -  
Toyota ProAce II - Opel Vivaro C -  
Opel Zafira Life 2019 & Vauxhall Vivaro Life 2019

TOYOTA PRO ACE VERSO

	L - 4959 mm	
H - 1899 mm		

same vehicles: Citroën Jumpy III gen. -  
Citroën Spacetourer -  
Peugeot Traveller - Peugeot Expert III gen. -  
Toyota ProAce Verso - Opel Vivaro C -  
Opel Zafira Life 2019 & Vauxhall Vivaro Life 2019



**VOLKSWAGEN**

VW CRAFTER I GEN. ≥ 2006 ≤ 2016

	L1 - 5245 mm	L2 - 5910 mm	L3 - 6945 mm	L4 - 7345 mm
H2 - 2820 mm				
H3 - 3050 mm				

same vehicles: Mercedes Sprinter II series - Dodge Sprinter - Freightliner Sprinter  
the height values in relation to the road surface are subject to a tolerance of +/- 50mm

VW CRAFTER II GEN. ≥ 2017

	L3 - 5986 mm	L4 - 6836 mm	L5 - 7391 mm
H2 - 2355 mm			
H3 - 2590 mm			
H4 - 2835 mm			

same vehicles: MAN TGE  
the height values in relation to the road surface are subject to a tolerance of +/- 50mm

VW CADDY

	L1 - 4408 mm
H1 - 1823 mm	

VW CADDY MAXI

	L1 - 4878 mm
H1 - 1826 mm	



**VOLKSWAGEN**

VW TRANSPORTER T1 ≥ 1950 ≤ 1967

	L1 - 4280 mm
H1 - 1940 mm	

same vehicles: VW T1 Westfalia 1950-1967

VW TRANSPORTER T2 ≥ 1967 ≤ 1979

	L1 - 4505 mm
H1 - 1960 mm	

same vehicles: VW T2 Westfalia

VW TRANSPORTER T25 - T3 ≥ 1979 ≤ 1990

	L1 - 4570 mm	
H1 - 1965 mm		

same vehicles: VW T25 Multivan - VW T25 Caravelle - VW T25 Westfalia

VW TRANSPORTER T4

	L1 - 4707 mm	L2 - 5107 mm
H1 - 1940 mm		

same vehicles: VW T4

VW TRANSPORTER T5 ≥ 2003 ≤ 2014

	L1 - 4892 mm	L2 - 5292 mm
H1 - 1990 mm		

same vehicles: VW T5 Caravelle - VW T5 Multivan

VW TRANSPORTER T6 ≥ 2014

	L1 - 4904 mm	L2 - 5304 mm
H1 - 1990 mm		

same vehicles: VW T6 Caravelle - VW T6 Multivan



The following table aims to identify, for each vehicle model, the appropriate bracket, awning, bike carrier and ladder.  
For vehicles equipped with fixing bar, use Chart at right; check the installation height of the awning.

Van conversions and Camper vans							
Brand	Model	Same Vehicle	Height H	Length L	From (year) ≥	Up to (year) ≤	Infos
Citroën	C25	Fiat Ducato I series / Peugeot J5	H1 / H2	L	1981	1994	
Citroën	Jumper I series	Fiat Ducato II series / Peugeot Boxer I series	H1	L1 / L2	1994	2006	Only on fixing bar Luggage carriers / roof rail
Citroën	Jumper I series	Fiat Ducato II series / Peugeot Boxer I series	H2	L2 / L3	1994	2006	Mod. X230 / X244
Citroën	Jumper II-III series	Fiat Ducato III-IV series / Peugeot Boxer II-III series	H2	L2 / L3	2006		Only on Roof Rail ALU-LINE Style
Citroën	Jumper II-III series	Fiat Ducato III-IV series / Peugeot Boxer II-III series	H2	L2 / L3	2006		Mod. X250 / X290
Citroën	Jumper II-III series	Fiat Ducato III-IV series / Peugeot Boxer II-III series	H2	L4	2006		Mod. X250 / X290
Citroën	Jumper II-III series	Fiat Ducato III-IV series / Peugeot Boxer II-III series	H2	L2 / L3 / L4	2006		Only on Smart Clamp Thule bars
Citroën	Jumper II-III series	Fiat Ducato III-IV series / Peugeot Boxer II-III series	H2	L2 / L3	2006		Equipped with Roof Rack on the roof
Citroën	Jumper II-III series	Fiat Ducato III-IV series / Peugeot Boxer II-III series	H3	L3 / L4	2006		Mod. X250 / X290
Citroën	Jumpy III gen. / Spacetourer / Campster	Opel Vivaro C / Opel Zafira Life 2019 & Vauxhall Vivaro Life 2019 / Peugeot Traveller / Peugeot Expert III gen. / Toyota ProAce II / Toyota ProAce Verso	H1	4956 mm	2016		PSA Also for models with lift roof
Dodge	Sprinter	Mercedes Sprinter II series / Freightliner Sprinter / VW Crafter I gen	H2	L1 / L2 / L3	2006	2016	only with roof rail (optional)
Dodge	Sprinter	Mercedes Sprinter II series / Freightliner Sprinter / VW Crafter I gen.	H2	L1 / L2 / L3 / L4	2006	2016	without roof rail



For vehicles equipped with fixing bar / luggage carrier			
Adapters F45		Adapters F35Pro	
98655-310	98655-770	98655-310	98655-142

Specific brackets for awning models								Bike carrier	Ladder
Adapters F40	F40	Adapters F45	F45	Adapters F65 / F80s	F65 / F80s	Adapters F35Pro	F35Pro		
		98655-286 98655-017	Max 350					02093A15A	
		98655-310 / 2x 98655-770				98655-310 / 98655-142			
		98655-680	L2 - 300 L3 - 350	98655-373 98655-693	L2 - 290 L3 - 340			02093A15A (<1999) 02093A65A (>2000)	
		98655-625	L2 - 300 L3 - 350					02094-26A D.B.02094A26A FRAME 02094-32A [3 BIKES] FRAME D.B. 02094A32A [3 BIKES] FRAME 02094-27A [2 E-BIKES] FRAME D.B. 02094A27A [2 E-BIKES]	02426-09A D.B.02426A09A
		98655-755	L2 - 300 L3 - 375	F80s ONLY 98655Z103 * D.B. 98655Z104 *  F80s/F65L 98655Z101 * D.B. 98655Z102 *	L2 - 320 L3 - 370			02094-26A D.B.02094A26A FRAME 02094-32A [3 BIKES] FRAME D.B. 02094A32A [3 BIKES] FRAME 02094-27A [2 E-BIKES] FRAME D.B. 02094A27A [2 E-BIKES]	02426-09A D.B.02426A09A
		2x 98655-755	400	F80s ONLY 98655Z093 *  F80s/F65L 98655-904 *	400			02094-26A D.B.02094A26A FRAME 02094-32A [3 BIKES] FRAME D.B. 02094A32A [3 BIKES] FRAME 02094-27A [2 E-BIKES] FRAME D.B. 02094A27A [2 E-BIKES]	02426-09A D.B.02426A09A
				98655Z097 *	L2 - 320 L3 - 370 L4 - 400			02094-26A D.B.02094A26A FRAME 02094-32A [3 BIKES] FRAME D.B. 02094A32A [3 BIKES] FRAME 02094-27A [2 E-BIKES] FRAME D.B. 02094A27A [2 E-BIKES]	02426-17A D.B.02426A17A
		98655-485	L2 - 300 L3 - 350					02094-26A D.B.02094A26A FRAME 02094-32A [3 BIKES] FRAME D.B. 02094A32A [3 BIKES] FRAME 02094-27A [2 E-BIKES] FRAME D.B. 02094A27A [2 E-BIKES]	02426-09A D.B.02426A09A
		INCLUDED in the awning	L3 - 375 L4 - 400	98655-656 *	L3 - 370 L4 - 400			02094-26A D.B.02094A26A FRAME 02094-32A [3 BIKES] FRAME D.B. 02094A32A [3 BIKES] FRAME 02094-27A [2 E-BIKES] FRAME D.B. 02094A27A [2 E-BIKES]	02426-17A D.B.02426A17A
98655Z110 *	270	INCLUDED in the awning	P.W. 06280F01R * D.B. 06759F01R *			D.B. 98655Z095 *	250 / 270	02094-28A DB 02094A28A	
				98655-772	L1 - 290 / 320 L2 - 370 L3 - 400			02093B93A D.B. 02093A93A	02426-19A D.B.02426A19A
				98655-746  RIGHT HD 98655-889	L1 - 290/320 L2 - 370 L3 - 400 L4 - 450			02093B93A D.B. 02093A93A	02426-19A D.B.02426A19A

\* for left and right hand drive

P.W. = Polar White - Tit. = Titanium - D.B. = Deep Black - D.D. = Double door



Van conversions and Camper vans							
Brand	Model	Same Vehicle	Height H	Length L	From (year) ≥	Up to (year) ≤	Infos
Dodge	Sprinter	Mercedes Sprinter III series / Freightliner Sprinter	H2	L1 / L2 / L3 / L4	2016		only with roof rail (optional)
Dodge	Sprinter	Mercedes Sprinter III series / Freightliner Sprinter	H2	L1 / L2 / L3 / L4	2016		without roof rail
Dodge	Sprinter	Mercedes Sprinter II series / Freightliner Sprinter / VW Crafter I gen.	H3	L	2006	2016	
Fiat	Ducato I series	Citroën C25 / Peugeot J5	H1 / H2	L	1981	1994	
Fiat	Ducato II series	Citroën Jumper I series / Peugeot Boxer I series	H1	L1 / L2	1994	2006	Only on fixing bar Luggage carriers / roof rail
Fiat	Ducato II series	Citroën Jumper I series / Peugeot Boxer I series	H2	L2 / L3	1994	2006	Mod. X230 / X244
Fiat	Ducato III-IV series	Citroën Jumper II-III series / Peugeot Boxer II-III series	H2	L2 / L3	2006		Only on Roof Rail ALU-LINE Style
Fiat	Ducato III-IV series	Citroën Jumper II-III series / Peugeot Boxer II-III series	H2	L2 / L3	2006		Mod. X250 / X290
Fiat	Ducato III-IV series	Citroën Jumper II-III series / Peugeot Boxer II-III series	H2	L4	2006		Mod. X250 / X290
Fiat	Ducato III-IV series	Citroën Jumper II-III series / Peugeot Boxer II-III series	H2	L2 / L3 / L4	2006		Only on Smart Clamp Thule bars
Fiat	Ducato III-IV series	Citroën Jumper II-III series / Peugeot Boxer II-III series	H2	L2 / L3	2006		Equipped with Roof Rack on the roof
Fiat	Ducato III-IV series	Citroën Jumper II-III series / Peugeot Boxer II-III series	H3	L3 / L4	2006		Mod. X250 / X290
Fiat	Ducato III-IV series	HymerCar Lift Roof / Possi Lift Roof	H2	L2 / L3 / L4	2006		Lift roof
Fiat	Talento	Nissan NV 300 / Renault Trafic III series / Opel Vivaro B / Vauxhall Vivaro B	H1	L1 / L2	2014		



Specific brackets for awning models								Bike carrier	Ladder
Adapters F40	F40	Adapters F45	F45	Adapters F65 / F80s	F65 / F80s	Adapters F35Pro	F35Pro		
				98655-772				02093B93A D.B. 02093A93A	02426-19A D.B.02426A19A
				98655-746  RIGHT HD 98655-889				02093B93A D.B. 02093A93A	02426-19A D.B.02426A19A
		98655-591							
		98655-286 98655-017	Max 350					02093A15A	
		98655-310 / 2x 98655-770				98655-310 / 98655-142			
		98655-680	L2 - 300 L3 - 350	98655-373 98655-693	L2 - 290 L3 - 340			02093A15A (<1999) 02093A65A (>2000)	
		98655-625	L2 - 300 L3 - 350					02094-26A D.B.02094A26A FRAME 02094-32A [3 BIKES] FRAME D.B. 02094A32A [3 BIKES] FRAME 02094-27A [2 E-BIKES] FRAME D.B. 02094A27A [2 E-BIKES]	02426-09A D.B.02426A09A
		98655-755	L2 - 300 L3 - 375	F80s ONLY 98655Z103 * D.B. 98655Z104 *  F80s/F65L 98655Z101 * D.B. 98655Z102 *	L2 - 320 L3 - 370			02094-26A D.B.02094A26A FRAME 02094-32A [3 BIKES] FRAME D.B. 02094A32A [3 BIKES] FRAME 02094-27A [2 E-BIKES] FRAME D.B. 02094A27A [2 E-BIKES]	02426-09A D.B.02426A09A
		2x 98655-755	400	F80s ONLY 98655Z093 *  F80s/F65L 98655-904 *	400			02094-26A D.B.02094A26A FRAME 02094-32A [3 BIKES] FRAME D.B. 02094A32A [3 BIKES] FRAME 02094-27A [2 E-BIKES] FRAME D.B. 02094A27A [2 E-BIKES]	02426-09A D.B.02426A09A
				98655Z097 *	L2 - 320 L3 - 370 L4 - 400			02094-26A D.B.02094A26A FRAME 02094-32A [3 BIKES] FRAME D.B. 02094A32A [3 BIKES] FRAME 02094-27A [2 E-BIKES] FRAME D.B. 02094A27A [2 E-BIKES]	02426-17A D.B.02426A17A
		98655-485	L2 - 300 L3 - 350					02094-26A D.B.02094A26A FRAME 02094-32A [3 BIKES] FRAME D.B. 02094A32A [3 BIKES] FRAME 02094-27A [2 E-BIKES] FRAME D.B. 02094A27A [2 E-BIKES]	02426-09A D.B.02426A09A
		INCLUDED in the awning	L3 - 375 L4 - 400	98655-656 *	L3 - 370 L4 - 400			02094-26A D.B.02094A26A FRAME 02094-32A [3 BIKES] FRAME D.B. 02094A32A [3 BIKES] FRAME 02094-27A [2 E-BIKES] FRAME D.B. 02094A27A [2 E-BIKES]	02426-17A D.B.02426A17A
		D.B. 98655Z028	L2 - 300 L3 - 350 / 375 L4 - 400					02094-26A D.B.02094A26A FRAME 02094-32A [3 BIKES] FRAME D.B. 02094A32A [3 BIKES] FRAME 02094-27A [2 E-BIKES] FRAME D.B. 02094A27A [2 E-BIKES]	02426-09A D.B.02426A09A
L1 - 98655Z087 * L2 - 98655Z088 *	270	98655Z021	L1 - 230 L2 - 260			98655Z020	L1 -220 L2 - 250 / 270	02093B72A D.D.02093B74A	

\* for left and right hand drive

P.W. = Polar White - Tit. =Titanium - D.B. = Deep Black - D.D. = Double door



Van conversions and Camper vans							
Brand	Model	Same Vehicle	Height H	Length L	From (year) ≥	Up to (year) ≤	Infos
Ford	Custom	Transit Custom / Tourneo Custom	H1	L1 / L2	2012		
Ford	Custom	Cap Land / Cap Fun	H1	L2	2015	2018	only on Rapido autocaravan (Dreamer and Campereve) with lift roof
Ford	Custom	Cap Coast	H1	L1	2018		only on Rapido autocaravan (Dreamer and Campereve) with lift roof
Ford	Custom	Cap Land / Cap Life	H1	L2	2019		only on Rapido autocaravan (Dreamer and Campereve) with lift roof
Ford	Econovan (AUS) / Freda	Mazda Bongo IV series / Nissan Vanette / Mitsubishi Delica IV series	H1	L	1999	2005	only on side drain rail
Ford	Transit		H1	L	1987	2014	MK3-MK4-MK5-MK6-MK7
Ford	Transit		H2	L	1987	2014	MK3-MK4-MK5-MK6-MK7 only on side drain rail
Ford	Transit		H3	L	1987	2014	MK3-MK4-MK5-MK6-MK7 Check the space above the tailgate
Ford	Transit		H3	L4	2014		MK8
Ford	Transit Custom Nugget		H1	L1	2015		Lift roof
Ford	Transit Custom Nugget		H2	L2	2015		Westfalia high roof
Freightliner	Sprinter	Mercedes Sprinter II series / Dodge Sprinter / VW Crafter I gen.	H2	L1 / L2 / L3	2006	2016	only with roof rail (optional)
Freightliner	Sprinter	Mercedes Sprinter II series / Dodge Sprinter / VW Crafter I gen.	H2	L1 / L2 / L3 / L4	2006	2016	without roof rail
Freightliner	Sprinter	Mercedes Sprinter III series / Dodge Sprinter	H2	L1 / L2 / L3 / L4	2016		only with roof rail (optional)
Freightliner	Sprinter	Mercedes Sprinter III series / Dodge Sprinter	H2	L1 / L2 / L3 / L4	2016		without roof rail
Freightliner	Sprinter	Mercedes Sprinter II series / Dodge Sprinter / VW Crafter I gen.	H3	L	2006	2016	
Isuzu	Como II series	Nissan NV 350 / Nissan Impendulo / Mitsubishi Fuso Canter Van	H1	L2	2012		
Iveco	Daily IV series		H2	L2 / L3	2006	2014	
MAN	TGE	VW Crafter II gen.	H3	L3 / L4	2017		only with roof rail
MAN	TGE	VW Crafter II gen.	H3	L3 / L4	2017		without roof rail





Specific brackets for awning models								Bike carrier	Ladder
Adapters F40	F40	Adapters F45	F45	Adapters F65 / F80s	F65 / F80s	Adapters F35Pro	F35Pro		
L1-98655Z044 RIGHT HD L1-98655Z046 L2-98655Z045*	270	D.B. 98655Z025 *	260			98655Z024 *	270	02094B07A	
						D.B. 98655Z035	250	02094B07A	
						D.B. 98655Z027	220	02094B07A	
						D.B. 98655Z027	250	02094B07A	
		D.B.98655-035 98655-017				98655-114			
								D.D. 02093A15A 02093A60A (>2000<2011)	
		98655-017						D.D. 02093A15A	02426-09A D.B.02426A09A ONLY DOUBLE DOOR > 2006 < 2011
		98655-741 <2006						D.D. 02093A15A	
				98655Z108	400			D.D. 02093A15A (also for H2)	
		98655Z114	260					02094B07A	
		98655Z023	260						
				98655-772	L1 - 290 / 320 L2 - 370 L3 - 400			02093B93A D.B. 02093A93A	02426-19A D.B.02426A19A
				98655-746 RIGHT HD 98655-889	L1 - 290/320 L2 - 370 L3 - 400 L4 - 450			02093B93A D.B. 02093A93A	02426-19A D.B.02426A19A
				98655-772				02093B93A D.B. 02093A93A	02426-19A D.B.02426A19A
				98655-746 RIGHT HD 98655-889				02093B93A D.B. 02093A93A	02426-19A D.B.02426A19A
		98655-591							
RIGHT HD 98655Z041	270								
		98655-318		98655-733	L2 - 320 L3 - 370				
				98655Z036	L3 - 320 L4 - 400			FRAME 02094-33A [3 BIKES] FRAME 02094-31A [2 E-BIKES]	
				D.B. 98655Z043 RIGHT HD D.B. 98655Z058	L3 - 320 L4 - 400			FRAME 02094-33A [3 BIKES] FRAME 02094-31A [2 E-BIKES]	

\* for left and right hand drive

P.W. = Polar White - Tit. = Titanium - D.B. = Deep Black - D.D. = Double door



Van conversions and Camper vans							
Brand	Model	Same Vehicle	Height H	Length L	From (year) ≥	Up to (year) ≤	Infos
Mazda	Bongo IV series	Ford Freda / Ford Econovan (AUS) / Mitsubishi Delica IV series / Nissan Vanette	H1	L	1999	2005	only on side drain rail
Mercedes	Sprinter I series	Mercedes Benz T1N (Japanese market)	H2	L	1995	2006	only on side drain rail
Mercedes	Sprinter II series	Dodge Sprinter / Freightliner Sprinter / VW Crafter I gen.	H2	L1 / L2 / L3	2006	2016	only with roof rail (optional)
Mercedes	Sprinter II series	Dodge Sprinter / Freightliner Sprinter / VW Crafter I gen.	H2	L1 / L2 / L3 / L4	2006	2016	without roof rail
Mercedes	Sprinter II series	Dodge Sprinter / Freightliner Sprinter / VW Crafter I gen.	H3	L	2006	2016	
Mercedes	Sprinter III series	Dodge Sprinter / Freightliner Sprinter	H2	L1 / L2 / L3 / L4	2016		only with roof rail (optional)
Mercedes	Sprinter III series	Dodge Sprinter / Freightliner Sprinter	H2	L1 / L2 / L3 / L4	2016		without roof rail
Mercedes	V Class Vito I series		H1	L1	1996	2003	W638
Mercedes	V Class Vito I series Marco Polo		H1	L1	1996	2003	Manual roof only
Mercedes	V Class Vito III series - Long		H1	L2	2014		W447
Mercedes	V Class Vito III series Jules Verne		H1	L2	2014		Westfalia Rapido autocaravan
Mercedes	V Class Vito III series Marco Polo		H1	L2	2014		Manual roof only
Mercedes	Viano Vito II series		H1	L	2003	2013	W639
Mercedes	Viano Vito II series Marco Polo		H1	L2	2003	2013	Manual roof only
Mitsubishi	Delica IV series	Ford Freda / Ford Econovan (AUS)/ Mazda Bongo IV series / Nissan Vanette	H1	L	1999	2005	only on side drain rail
Mitsubishi	Delica V serie	Nissan Evalia / Nissan NV 200	H1	L1	2007		
Mitsubishi	Fuso Canter Van	Nissan NV 350 / Nissan Impendulo / Isuzu Como II series	H1	L2	2012		
Nissan	Evalia	Nissan NV 200 / Mitsubishi Delica V series	H1	L1	2010		
Nissan	Impendulo	Nissan NV 350 / Isuzu Como II serie / Mitsubishi Fuso Canter Van	H1	L2	2012		
Nissan	Interstar	Opel Movano / Valuxhall Movano I series / Renault Master II series	H2	L2 / L3	1998	2011	
Nissan	NV 200	Nissan Evalia / Mitsubishi Delica V series	H1	L1	2009		



Specific brackets for awning models								Bike carrier	Ladder
Adapters F40	F40	Adapters F45	F45	Adapters F65 / F80s	F65 / F80s	Adapters F35Pro	F35Pro		
		D.B. 98655-035 98655-017				98655-114			
		98655-017	Max 350					02093A65A	02426-19A D.B.02426A19A
				98655-772	L1 - 290 / 320 L2 - 370 L3 - 400			02093B93A D.B. 02093A93A	02426-19A D.B.02426A19A
				98655-746 RIGHT HD 98655-889	L1 - 290/320 L2 - 370 L3 - 400 L4 - 450			02093B93A D.B. 02093A93A	02426-19A D.B.02426A19A
		98655-591							
				98655-772				02093B93A D.B. 02093A93A	02426-19A D.B.02426A19A
				98655-746 RIGHT HD 98655-889				02093B93A D.B. 02093A93A	02426-19A D.B.02426A19A
		98655-284 Only on fixing bar				D.B. 98655-682	220	02093A05A	
						D.B. 98655-682	220	02093A05A	
98655Z078	270					D.B. 98655-887	250 / 270	02094B14A LIFT 02094A15A	
						D.B. 98655Z034	250 / 270		
		98655Z022	260			98655Z022	250 / 270	02094B14A LIFT 02094A15A	
						D.B. 98655-887	250 / 270	02093B75A	
						D.B. 98655-887	250 / 270	02093B75A	
		D.B. 98655-035 98655-017				98655-114			
						D.B. 98655Z026	220		
RIGHT HD 98655Z041	270								
						D.B. 98655Z026	220		
RIGHT HD 98655Z041	270								
		98655-681	L2 - 300 L3 - 350	98655-468	L2 - 290 L3 - 340				
						D.B. 98655Z026	220		

\* for left and right hand drive

P.W. = Polar White - Tit. =Titanium - D.B. = Deep Black - D.D. = Double door



Van conversions and Camper vans							
Brand	Model	Same Vehicle	Height H	Length L	From (year) ≥	Up to (year) ≤	Infos
Nissan	NV 300	Fiat Talento / Renault Trafic III series / Opel Vivaro / Vauxhall Vivaro B	H1	L1 / L2	2014		
Nissan	NV 350	Nissan Impendulo / Isuzu Como II series / Mitsubishi Fuso Canter Van	H1	L2	2012		
Nissan	NV 400	Renault Master III series / Opel Movano / Vauxhall Movano II series	H2	L2 / L3	2011		
Nissan	Primastar I-II serie	Renault Trafic II serie / Opel Vivaro A / Valuxhall Vivaro A	H1	L1 / L2	2001	2014	
Nissan	Primastar I-II serie	Renault Trafic II serie / Opel Vivaro A / Valuxhall Vivaro A	H2	L2	2001	2014	Check the space above the tailgate
Nissan	Vanette	Ford Freda / Mazda Bongo IV serie / Mitsubishi Delica IV serie / Ford Econovan (AUS)	H1	L	1999	2005	only on side drain rail
Opel / Vauxhall	Movano I series	Nissan Interstar / Renault Master II series	H2	L2 / L3	1998	2010	
Opel Vauxhall	Movano II series	Nissan NV 400 / Renault Master III series	H2	L2 / L3	2011		
Opel / Vauxhall	Vivaro A	Nissan Primastar I-II series / Renault Trafic II series	H1	L1 / L2	2001	2014	
Opel / Vauxhall	Vivaro A	Nissan Primastar I-II series / Renault Trafic II series	H2	L2	2001	2014	Check the space above the tailgate
Opel / Vauxhall	Vivaro B	Nissan NV 300 / Renault Trafic III series / Fiat Talento	H1	L1 / L2	2014	2018	
Opel / Vauxhall	Vivaro C	Citroën Jumpy III gen. / Citroën Spacetourer / Citroën Campster / Opel Zafira Life 2019 & Vauxhall Vivaro Life 2019 / Peugeot Expert III gen. / Peugeot Traveller / Toyota ProAce II / Toyota ProAce Verso	H1	4959 mm	2019		PSA Also for models with lift roof
Opel / Vauxhall	Zafira Life 2019 & Vauxhall Vivaro Life 2019	Citroën Jumpy III gen. / Citroën Spacetourer / Citroën Campster / Peugeot Expert III gen. / Peugeot Traveller / Toyota ProAce II / Toyota ProAce Verso / Opel Vivaro C	H1	4956 mm	2019		PSA Also for models with lift roof
Peugeot	Expert III gen.	Citroën Jumpy III gen. / Citroën Spacetourer / Opel Vivaro C / Opel Zafira Life 2019 & Vauxhall Vivaro Life 2019 / Peugeot Traveller / Toyota ProAce II / Toyota ProAce Verso /	H1	4959 mm	2016		PSA Also for models with lift roof
Peugeot	Traveller	Citroën Jumpy III gen. / Citroën Spacetourer / Citroën Campster / Peugeot Expert III gen. / Toyota ProAce II / Toyota ProAce Verso / Opel Vivaro C / Opel Zafira Life 2019	H1	4959 mm	2016		PSA Also for models with lift roof
Peugeot	Boxer I series	Fiat Ducato II series / Citroën Jumper I series	H1	L1 / L2	1994	2006	Only on fixing bar Luggage carriers / roof rail
Peugeot	Boxer I series	Fiat Ducato II serie / Citroën Jumper I series	H2	L2 / L3	1994	2006	Mod. X230 / X244
Peugeot	Boxer II-III series	Fiat Ducato III-IV series / Citroën Jumper II-III series	H2	L2 / L3	2006		Only on Roof Rail ALU-LINE Style



Specific brackets for awning models								Bike carrier	Ladder
Adapters F40	F40	Adapters F45	F45	Adapters F65 / F80s	F65 / F80s	Adapters F35Pro	F35Pro		
L1 - 98655Z087* L2 - 98655Z088*	270	98655Z021	L1 - 230 L2 - 260			98655Z020	L1 - 220 L2 - 250 / 270	02093B72A D.D.02093B74A	
RIGHT HD 98655Z041	270								
				98655-881	L2 - 320 L3 - 370				
		98655-854	L1 - 230 L2 - 260			98655-893	L1 - 220 L2 - 250	02093B72A D.D.02093B74A	
		98655-741	260						
		D.B. 98655-035 98655-017				98655-114			
		98655-681	L2 - 300 L3 - 350	98655-468	L2 - 290 L3 - 340				
				98655-881	L2 - 320 L3 - 370				
		98655-854	L1 - 230 L2 - 260			98655-893	L1 - 220 L2 - 250	02093B72A D.D.02093B74A	
		98655-741	260						
L1 - 98655Z087* L2 - 98655Z088*	270	98655Z021	L1 - 230 L2 - 260			98655Z020	L1 - 220 L2 - 250 / 270	02093B72A D.D.02093B74A	
98655Z110*	270	INCLUDED in the awning	P.W. 06280F01R* D.B. 06759F01R*			D.B. 98655Z095*	250/270	02094-28A D.B. 02094A28A	
98655Z110*	270	INCLUDED in the awning	P.W. 06280F01R* D.B. 06759F01R*			D.B. 98655Z095*	250/270	02094-28A D.B. 02094A28A	
98655Z110*	270	INCLUDED in the awning	P.W. 06280F01R* D.B. 06759F01R*			D.B. 98655Z095*	250 / 270	02094-28A D.B. 02094A28A	
98655Z110*	270	INCLUDED in the awning	P.W. 06280F01R* D.B. 06759F01R*			D.B. 98655Z095*	250 / 270	02094-28A D.B. 02094A28A	
		98655-310 / 2x 98655-770				98655-310 / 98655-142			
		98655-680	L2 - 300 L3 - 350	98655-373 98655-693	L2 - 290 L3 - 340			02093A15A (<1999) 02093A65A (>2000)	
		98655-625	L2 - 300 L3 - 350					02094-26A D.B.02094A26A FRAME 02094-32A [3 BIKES] FRAME D.B. 02094A32A [3 BIKES] FRAME 02094-27A [2 E-BIKES] FRAME D.B. 02094A27A [2 E-BIKES]	02426-09A D.B.02426A09A

\* for left and right hand drive

P.W. = Polar White - Tit. =Titanium - D.B. = Deep Black - D.D. = Double door



Van conversions and Camper vans							
Brand	Model	Same Vehicle	Height H	Length L	From (year) ≥	Up to (year) ≤	Infos
Peugeot	Boxer II-III series	Fiat Ducato III-IV serie / Citroën Jumper II-III series	H2	L2 / L3	2006		Mod. X250 / X290
Peugeot	Boxer II-III series	Fiat Ducato III-IV series / Citroën Jumper II-III series	H2	L4	2006		Mod. X250 / X290
Peugeot	Boxer II-III serie	Fiat Ducato III-IV series / Citroën Jumper II-III series	H2	L2 / L3 / L4	2006		Only on Smart Clamp Thule bars
Peugeot	Boxer II-III series	Fiat Ducato III-IV series / Citroën Jumper II-III series	H2	L2 / L3	2006		Equipped with Roof Rack on the roof
Peugeot	Boxer II-III series	Fiat Ducato III-IV series / Citroën Jumper II-III series	H3	L3 / L4	2006		Mod. X250 / X290
Peugeot	J5	Citroën C25 / Fiat Ducato I series	H1 / H2	L	1981	1994	
Renault	Master II series	Nissan Interstar / Opel Movano / Vauxhall Movano I series	H2	L2 / L3	1997	2009	
Renault	Master III series	Nissan NV 400 / Opel Movano / Vauxhall Movano II series	H2	L2 / L3	2010		
Renault	Trafic I series		H1	L1 / L2	1981	2001	only on side drain rail
Renault	Trafic I series		H2	L2	1981	2001	Check the space above the tailgate
Renault	Trafic II series	Nissan Primastar I-II series / Opel Vivaro A / Vauxhall Vivaro A	H1	L1 / L2	2001	2014	
Renault	Trafic II series	Nissan Primastar I-II series / Opel Vivaro A / Vauxhall Vivaro A	H2	L2	2001	2014	Check the space above the tailgate
Renault	Trafic III series	Dreamer MIRANDE S Campereve MIRANDE S	H1	L1	2015		only on Rapido motorhomes with lift roof as standard
Renault	Trafic III series	Nissan NV 300 / Opel Vivaro / Vauxhall Vivaro B / Fiat Talento	H1	L1 / L2	2014		
Toyota	ProAce II	Citroën Jumpy III gen. / Citroën Spacetourer / Citroën Campster / Peugeot Expert III gen. / Peugeot Traveller / Toyota ProAce Verso / Opel Vivaro C / Opel Zafira Life 2019	H1	4959 mm	2016		PSA Also for models with lift roof
Toyota	ProAce Verso	Citroën Jumpy III gen. / Citroën Spacetourer / Citroën Campster / Peugeot Expert III gen. / Peugeot Traveller / Toyota ProAce II / Opel Vivaro C / Opel Zafira Life 2019	H1	4959 mm	2016		PSA Also for models with lift roof



Specific brackets for awning models								Bike carrier	Ladder
Adapters F40	F40	Adapters F45	F45	Adapters F65 / F80s	F65 / F80s	Adapters F35Pro	F35Pro		
		98655-755	L2 - 300 L3 - 375	F80s ONLY 98655Z103 * D.B. 98655Z104 *  F80s/F65L 98655Z101 * D.B. 98655Z102 *	L2 - 320 L3 - 370			02094-26A D.B.02094A26A FRAME 02094-32A [3 BIKES] FRAME D.B. 02094A32A [3 BIKES] FRAME 02094-27A [2 E-BIKES] FRAME D.B. 02094A27A [2 E-BIKES]	02426-09A D.B.02426A09A
		2x 98655-755	400	F80s ONLY 98655Z093 *  F80s/F65L 98655-904 *	400			02094-26A D.B.02094A26A FRAME 02094-32A [3 BIKES] FRAME D.B. 02094A32A [3 BIKES] FRAME 02094-27A [2 E-BIKES] FRAME D.B. 02094A27A [2 E-BIKES]	02426-09A D.B.02426A09A
				98655Z097 *	L2 - 320 L3 - 370 L4 - 400			02094-26A D.B.02094A26A FRAME 02094-32A [3 BIKES] FRAME D.B. 02094A32A [3 BIKES] FRAME 02094-27A [2 E-BIKES] FRAME D.B. 02094A27A [2 E-BIKES]	02426-17A D.B.02426A17A
		98655-485	L2 - 300 L3 - 350					02094-26A D.B.02094A26A FRAME 02094-32A [3 BIKES] FRAME D.B. 02094A32A [3 BIKES] FRAME 02094-27A [2 E-BIKES] FRAME D.B. 02094A27A [2 E-BIKES]	02426-09A D.B.02426A09A
		INCLUDED in the awning	L3 - 375 L4 - 400	98655-656 *	L3 - 370 L4 - 400			02094-26A D.B.02094A26A FRAME 02094-32A [3 BIKES] FRAME D.B. 02094A32A [3 BIKES] FRAME 02094-27A [2 E-BIKES] FRAME D.B. 02094A27A [2 E-BIKES]	02426-17A D.B.02426A17A
		98655-286 98655-017	Max 350					02093A15A	
		98655-681	L2 - 300 L3 - 350	98655-468	L2 - 290 L3 - 340				
				98655-881	L2 - 320 L3 - 370				
		98655-017	Max 350						
		98655-741	Max 350						
		98655-854	L1 - 230 L2 - 260			98655-893	L1 - 220 L2 - 250	02093B72A D.D.02093B74A	
		98655-741	260						
						98655Z020	220	02093B72A D.D.02093B74A	
L1 - 98655Z087 * L2 - 98655Z088 *	270	98655Z021	L1 - 230 L2 - 260			98655Z020	L1 - 220 L2 - 250 / 270	02093B72A D.D.02093B74A	
98655Z110 *	270	INCLUDED in the awning	P.W. 06280F01R * D.B. 06759F01R *			D.B. 98655Z095 *	250 / 270	02094-28A D.B. 02094A28A	
98655Z110 *	270	INCLUDED in the awning	P.W. 06280F01R * D.B. 06759F01R *			D.B. 98655Z095 *	250 / 270	02094-28A D.B. 02094A28A	

\* for left and right hand drive

P.W. = Polar White - Tit. = Titanium - D.B. = Deep Black - D.D. = Double door



Van conversions and Camper vans							
Brand	Model	Same Vehicle	Height H	Length L	From (year) ≥	Up to (year) ≤	Infos
VW	Caddy Maxi		H1	L1	2016		
VW	Caddy Maxi		H1	L1	2016		Lift roof
VW	Crafter I gen.	Dodge Sprinter / Freightliner Sprinter / Mercedes Sprinter II series	H2	L1 / L2 / L3	2006	2016	only with roof rail (optional)
VW	Crafter I gen.	Mercedes Sprinter II series / Dodge Sprinter / Freightliner Sprinter	H2	L1 / L2 / L3 / L4	2006	2016	without roof rail
VW	Crafter I gen.	Dodge Sprinter / Freightliner Sprinter / Mercedes Sprinter II series	H3	L	2006	2016	
VW	Crafter II gen.	MAN TGE	H3	L3 / L4	2017		only with roof rail
VW	Crafter II gen.	MAN TGE	H3	L3 / L4	2017		Also on Westfalia Sven Hedin without roof rails
VW	T5 California		H1	L1	2003	2014	
VW	T6 California		H1	L1	2014		
VW	Transporter T2	VW T2 Westfalia	H1		1967	1979	T2 Bay Baywindow
VW	Transporter T25 / T3	VW T25 Multivan / VW T25 Caravelle / VW T25 Westfalia	H1		1979	1990	T25 = T3 also for models with lift roof
VW	Transporter T4	VW T4	H1	L1 / L2	1990	2003	also for models with lift roof
VW	Transporter T4		H1	L1 / L2	1990	2003	solo con Kit Brandrup / Reimo Multirail
VW	Transporter T5	VW T5 Caravelle / VW T5 Multivan	H1	L1	2003	2014	WITHOUT "C" roof rail
VW	Transporter T5	VW T5 Caravelle / VW T5 Multivan	H1	L1	2003	2014	WITH "C" roof rail
VW	Transporter T5	VW T5 Caravelle / VW T5 Multivan	H1	L2	2003	2014	WITH "C" roof rail





Specific brackets for awning models								Bike carrier	Ladder
Adapters F40	F40	Adapters F45	F45	Adapters F65 / F80s	F65 / F80s	Adapters F35Pro	F35Pro		

						D.B. 98655Z096 *	220	02094-24A	
						D.B. 98655Z109 *	220		
				98655-772	L1 - 290 / 320 L2 - 370 L3 - 400			02093B93A D.B. 02093A93A	02426-19A D.B.02426A19A
				98655-746 RIGHT HD 98655-889	L1 - 290/320 L2 - 370 L3 - 400 L4 - 450			02093B93A D.B. 02093A93A	02426-19A D.B.02426A19A
		98655-591							
				98655Z036	L3 - 320 L4 - 400			FRAME 02094-33A [3 BIKES] FRAME 02094-31A [2 E-BIKES]	
				D.B. 98655Z043 RIGHT HD D.B. 98655Z058	L3 - 320 L4 - 400			FRAME 02094-33A [3 BIKES] FRAME 02094-31A [2 E-BIKES]	
		INCLUDED in the awning	P.W. 06280E01R Tit. 06290E01R D.B. 06759E01R			98655-748	270	02094-17A Pro 02093E71A  D.D. 02093B79A D.D. D.B. 02093C79A	
		INCLUDED in the awning	P.W. 06280E01R Tit. 06290E01R D.B. 06759E01R			98655-748	270	02094-20A Pro 02094B08A Pro D.B.02094A08A  D.D. 02093B79A D.D. D.B. 02093C79A	
								02093B63A	
		D.B. 98655-035	260			98655Z115	270	02094-19A	
		98655-292	L1 - 260 L2 - 300			D.B. 98655-111	L1 - 270 L2 - 300	02094-18A D.D. 02094-22A	
		98655Z011	L1 - 260 L2 - 300			98655Z011	L1 - 250/270 L2 - 300	02094-18A D.D. 02094-22A	
98655Z030 RIGHT HD 98655Z038	270	98655-647 RIGHT HD 98655-648	260			98655Z004 RIGHT HD 98655Z005	270	02094-17A Pro 02093E71A  D.D. 02093B79A D.D. D.B. 02093C79A	
		INCLUDED in the awning	Tit. 06290D01R D.B. 06759D01R  RIGHT HD Tit. 06291D01R D.B. 07129D02R			98655-747	270	02094-17A Pro 02093E71A  D.D. 02093B79A D.D. D.B. 02093C79A	
		INCLUDED in the awning	Tit.06290R01R D.B. 06759R01R  RIGHT HD Tit.06291R01R D.B. 07129R02R			98655-747	300	02094-17A Pro 02093E71A  D.D. 02093B79A D.D. D.B. 02093C79A	

\* for left and right hand drive

P.W. = Polar White - Tit. =Titanium - D.B. = Deep Black - D.D. = Double door



Van conversions and Camper vans							
Brand	Model	Same Vehicle	Height H	Length L	From (year) ≥	Up to (year) ≤	Infos
VW	Transporter T5	VW T5 Caravelle / VW T5 Multivan	H1	L1	2003	2014	with Top-Rail Brandrup
VW	Transporter T5	VW T5 Caravelle / VW T5 Multivan	H1	L1	2003	2014	with Multirail Reimo and Multirail Reimo with lift roof
VW	Transporter T6	VW T6 Caravelle / VW T6 Multivan	H1	L1	2014		WITHOUT "C" roof rail
VW	Transporter T6	VW T6 Caravelle / VW T6 Multivan	H1	L1	2014		WITH "C" roof rail
VW	Transporter T6	VW T6 Caravelle / VW T6 Multivan	H1	L2	2014		WITH "C" roof rail
VW	Transporter T6	VW T6 Caravelle / VW T6 Multivan	H1	L1	2014		with Top-Rail Brandrup
VW	Transporter T6	VW T6 Caravelle / VW T6 Multivan	H1	L1	2014		with Multirail Reimo and Multirail Reimo with lift roof



Specific brackets for awning models								Bike carrier	Ladder
Adapters F40	F40	Adapters F45	F45	Adapters F65 / F80s	F65 / F80s	Adapters F35Pro	F35Pro		

		98655-627	260			98655-658	270	02094-17A Pro 02093E71A  D.D. 02093B79A D.D. D.B. 02093C79A	
		98655-590	260			98655-948	270	02094-17A Pro 02093E71A  D.D. 02093B79A D.D. D.B. 02093C79A	
98655Z030  RIGHT HD 98655Z038	270	98655-647  RIGHT HD 98655-648	260			98655Z004  RIGHT HD 98655Z005	270	02094-20A Pro 02094B08A Pro D.B.02094A08A  D.D. 02093B79A D.D. D.B. 02093C79A	
		INCLUDED in the awning	Tit. 06290D01R D.B. 06759D01R  RIGHT HD Tit. 06291D01R D.B. 07129D02R			98655-747	270	02094-20A Pro 02094B08A Pro D.B.02094A08A  D.D. 02093B79A D.D. D.B. 02093C79A	
		INCLUDED in the awning	Tit.06290R01R D.B. 06759R01R  RIGHT HD Tit.06291R01R D.B. 07129R02R			98655-747	300	02094-20A Pro 02094B08A Pro D.B.02094A08A  D.D. 02093B79A D.D. D.B. 02093C79A	
		98655-627	260			98655-658	270	02094-20A Pro 02094B08A Pro D.B.02094A08A  D.D. 02093B79A D.D. D.B. 02093C79A	
		98655-590	260			98655-948	270	02094-20A Pro 02094B08A Pro D.B.02094A08A  D.D. 02093B79A D.D. D.B. 02093C79A	

\* for left and right hand drive

P.W. = Polar White - Tit. =Titanium - D.B. = Deep Black - D.D. = Double door



### AUTO-LOCK UND DUAL SECURITY

Fiamma manufactures the only awning with silent opening thanks to the German TÜV certified Auto-Lock self-locking winch safety system: with its exclusive long life Aluminium mechanical parts, it offers you a quality product vastly superior to other comparable noisy hook release mechanisms on the market. The security of Fiamma awnings is also guaranteed by the Dual Security system. The device indicates the correct closure of the front bar by two small plastic flags inside the side end caps.

1



### PRESTO FIX

Fiamma awnings are the only ones with a patented adjustment system which allows the closure of the front panel to be adjusted if one side panel no longer closes perfectly over time.

2



### ONE WAY ROLL

The patented One Way Roll system is an ingenious mechanism which prevents the awning rolling up the wrong way - it simply makes sure the user never gets it wrong.

3



### DUAL SHOCK-ABSORBER

Another Fiamma exclusive, the Dual Shock-Absorber is a bracket which acts as a shock absorber to protect your vehicle and the awning itself in bad weather. The arms are fixed with the certified double bolt system "Double-Block" which grants more stability and ease of regulation.

4



### EXTRA-STRONG ARMS

Highly resistant reinforced articulated arms with strong 3,5mm wire cables. They are proof tested for more than 10,000 cycles of opening and closing and can maintain a steady fabric tension of up to 32 Kg.

5



### DOUBLE GUIDE

All Fiamma awnings are equipped with at least a double guide rail on the lead bar allowing the installation of two front panels, for example: Privacy Room and Sun View XL, Blocker and Tie Down S, Sun View XL and Awning Hangers.

6



### SECURE LOCK

The telescopic system of the legs with manual locking allows the regulation of the lead bar height. This system allows you to regulate the height of the awning according to your needs. Fiamma awning have a dual fixing possibility for its incorporated legs: to the wall and to the ground.

7


## PRELIMINARY CHECK



- We recommend that the installation is carried out by qualified personnel.
- Failure to observe these installation and usage instructions as well as the laws for driving in the relevant country may cause severe harm or damage for which the manufacturer declines all responsibility.
- Before installation, ensure compatibility with the vehicle on which the product must be installed.
- Checking that the wall/roof door is sufficiently solid and suitable for guaranteeing the resistance of the anchoring points is always mandatory. If not, grip and compliance with the maximum load indicated in the instructions are not guaranteed and it will be necessary to reinforce it.


## HOW TO CHOOSE THE RIGHT AWNING

### INSTALLATION




#### WALL INSTALLATION

It is the most common mounting type and thanks to the wide range of brackets you can mount it on most vehicles in circulation.



#### ROOF INSTALLATION


The awning can be installed with special brackets on the roof of the vehicle and it fits the most modern vehicles, resulting in a more compact style.



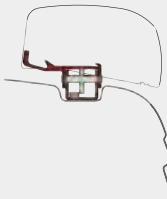
#### RAIL INSTALLATION

The awning is easily installed without additional brackets thanks to the caravan rail support, making installation and removal fast and safe.

### TYPE OF VEHICLE



### ADAPTERS

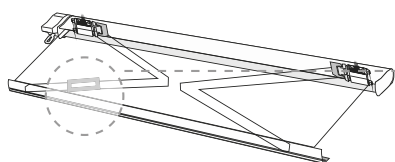


To choose the right adapters, look at pages 22 and 88

## WARNINGS



- If the awning is more than 100 mm out of the vehicle shape, the presence of the awning must be recorded in the vehicle's registration documents (DIN 75303 - 2019).
- For vehicles in which the tailgate is flush with the roof, it is recommended to open and close the tailgate with the awning closed.
- When communicating with Fiamma, always refer to the data on the nameplate.



<b>AWNING MODEL</b>	<b>S/N : 9000000</b>
<b>CANOPY COLOUR</b>	<b>F xxxxxx</b>
	<b>xxx</b>

## MAINTENANCE INSTRUCTIONS



- Make sure that your awning is completely dry and clean before closing it.
- The remaining humidity could cause stains. If however you have no choice but closing the awning when it is still wet, make sure to open it for drying within 12 hours maximum. Most of the dirt is superficial and can be removed with clean water and a cloth or a soft brush. If the fabric is very dirty, add some light cleaning detergent (Marseille soap).
- Be aware never to use any aggressive chemical substances and never to clean the fabric with a high pressure machine.
- We recommend not to use the awning at a temperature below 0°C.
- You are advised not to wash the outer covering of the awning with an aggressive product (or a rough cloth) that could alter the surface finishes or the materials.

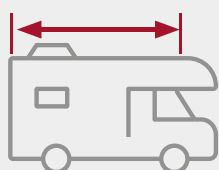


## INSTALLATION ON FIXING KIT



- To install the bracket, follow the specific installation instructions.
- The awnings are to be fixed on the brackets so that the words "SUPPORT" on the awning are in correspondence of the brackets: this condition is necessary and indispensable for the two brackets situated at the extremities (which are located on the fixing point of the arms on the case-box).
- It is important, but not indispensable, for the central bracket/s as it/they provide/s only a mounting support.
- The brackets must always be well-aligned to each other to avoid later problems; in case they are not, they must be properly shimmed using the spacers to ensure the alignment.
- The installation of the awning can occur only when the brackets are perfectly aligned to the roof of the vehicle.

### IMPORTANT



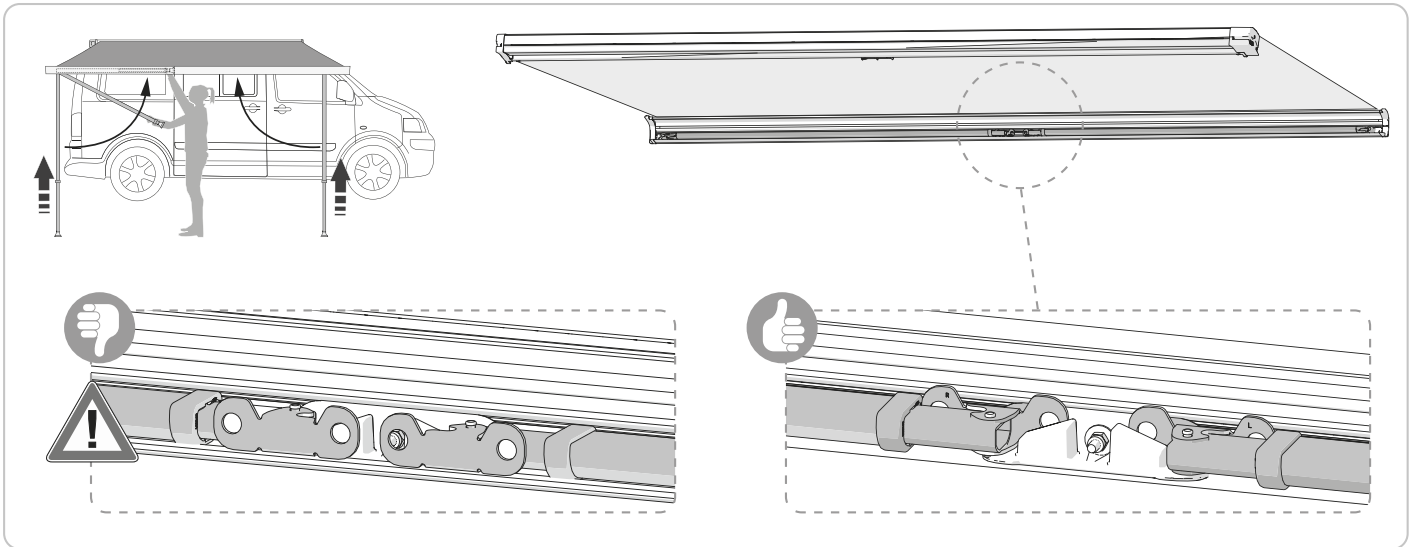
For the installation of the adapters please use the flat portion of the roof to ensure a good alignment of the adapters.



Maintain a minimum distance from lights and ventilation grills. Also check that the entrance door can be opened easily with the awning fully extended.

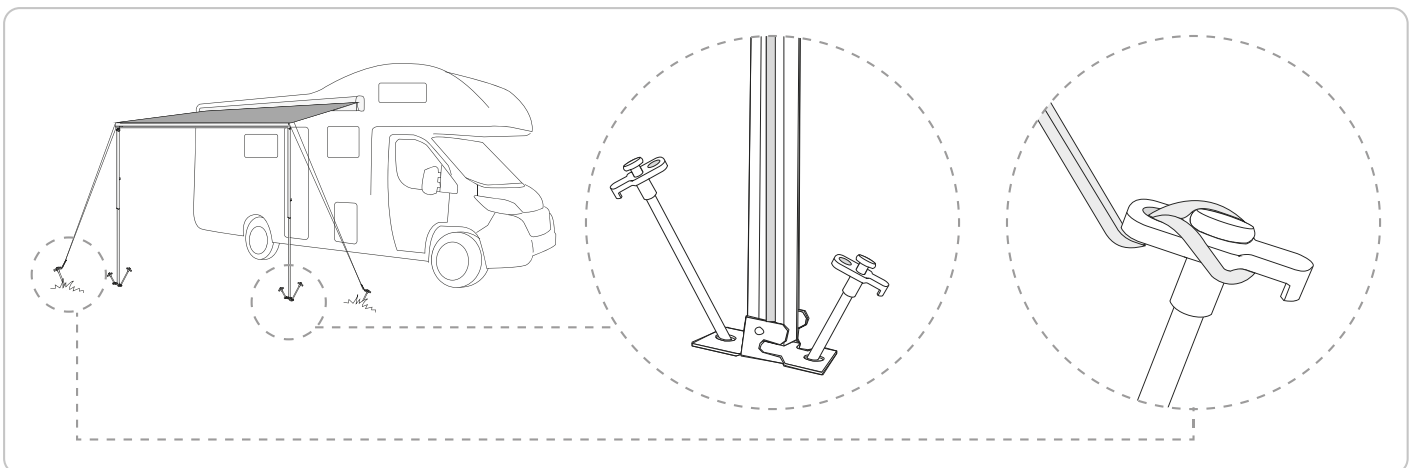
### CLOSING-HOOKING POLES

When closing the awning, hook the poles to the front of the awning correctly.



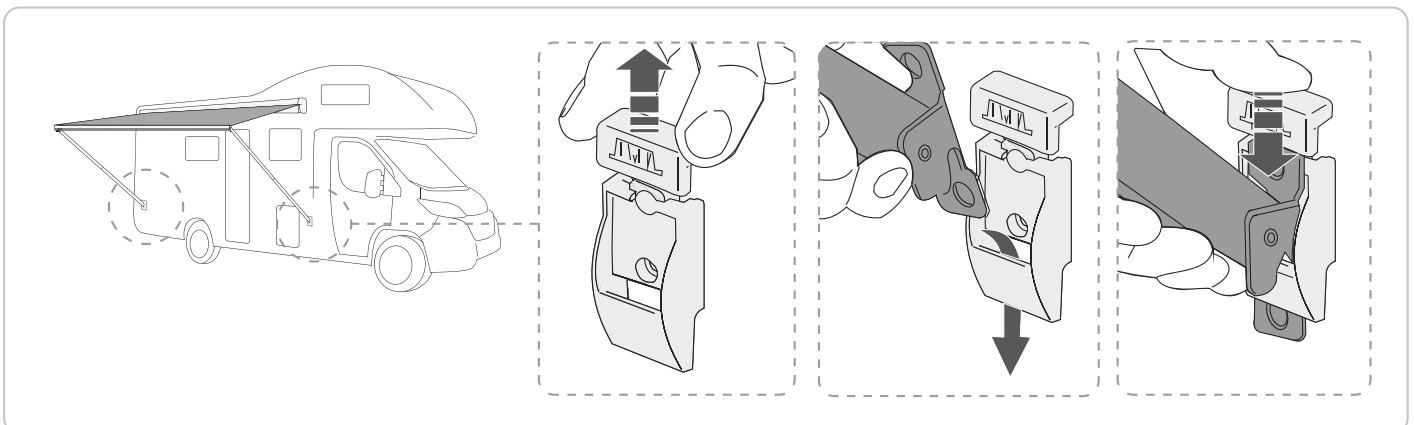
### TENSIONING ACCESSORIES

For greater tensioning of the awning and better anchoring to the ground, you can use the tensioning accessories.

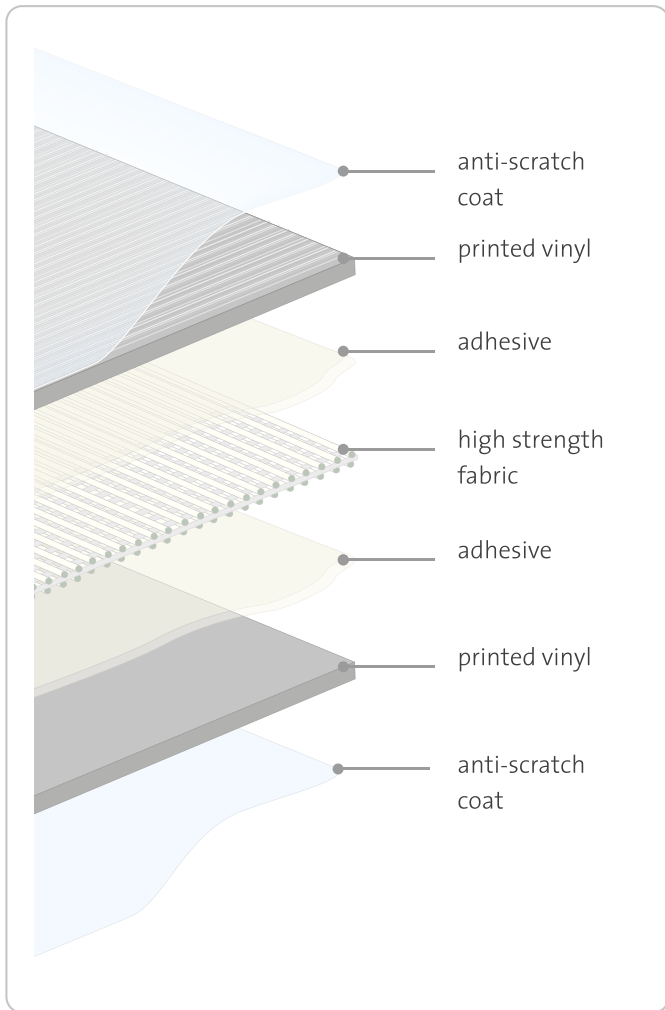


### COUPLING TO THE VEHICLE SIDE

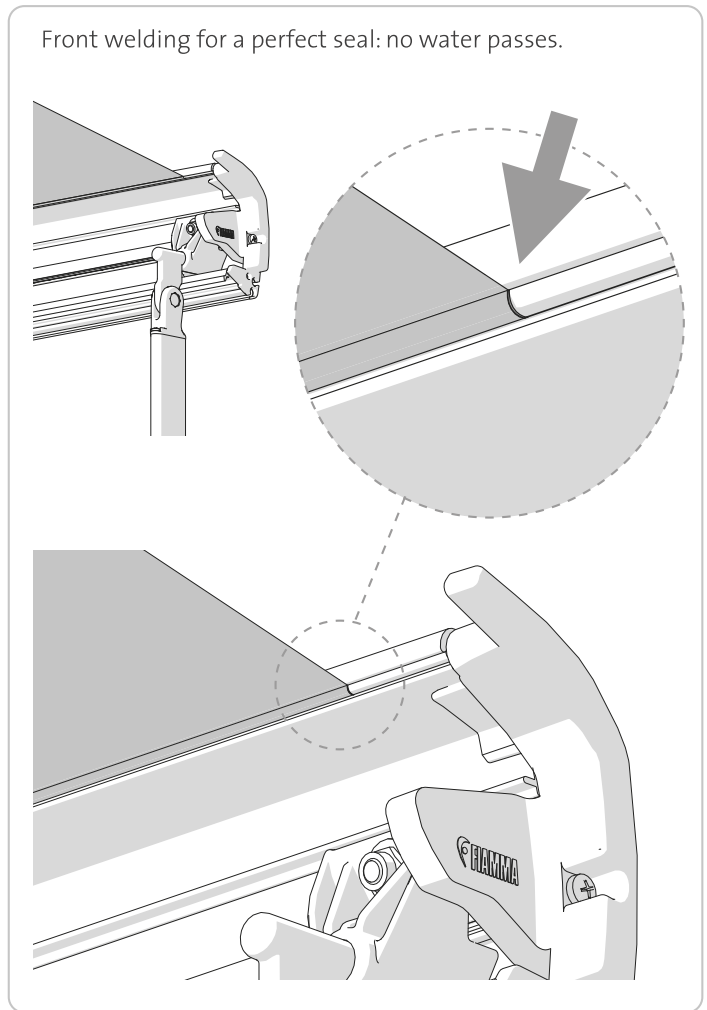
The poles can be fixed to the wall of the vehicle by means of the appropriate hooks.



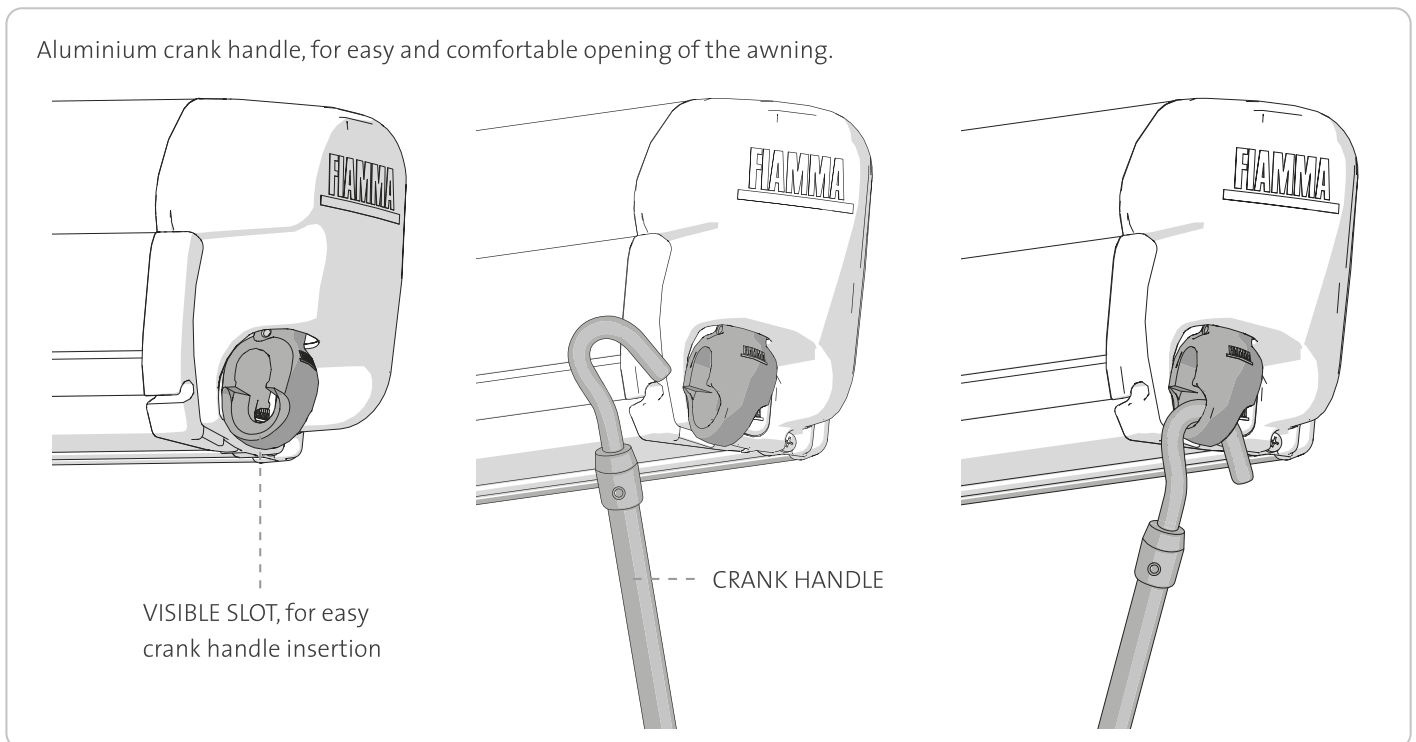
### FABRIC COMPOSITION



### FABRIC WELDING



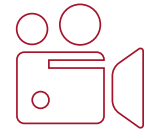
### CRANK HANDLE



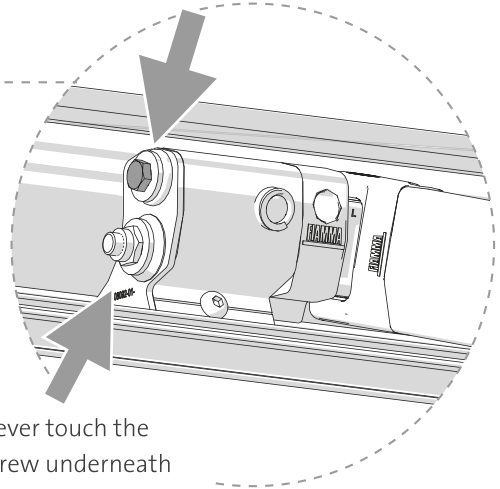
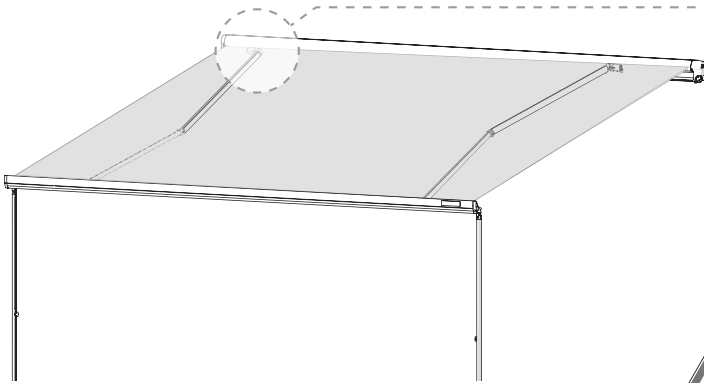


## AWNING ARM ADJUSTMENT

Adjusting the arm of the awning in case of lowering.

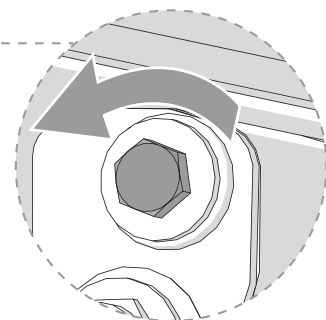
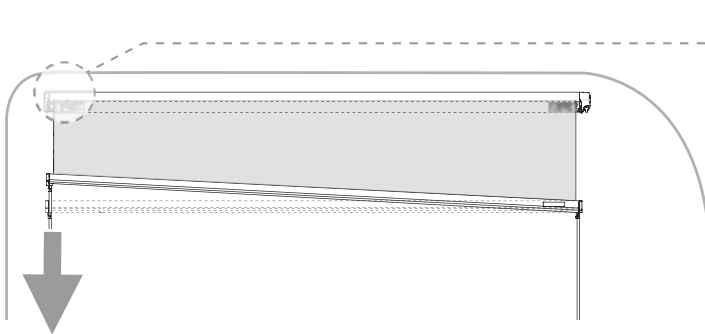
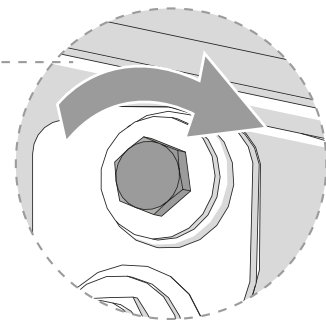
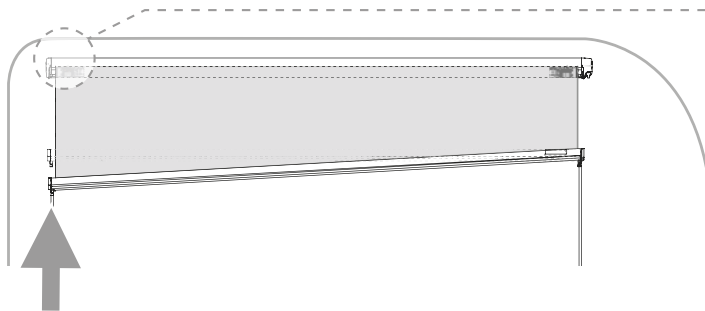


**1** For arms and fabric adjustments, please use only the depicted top bolt.

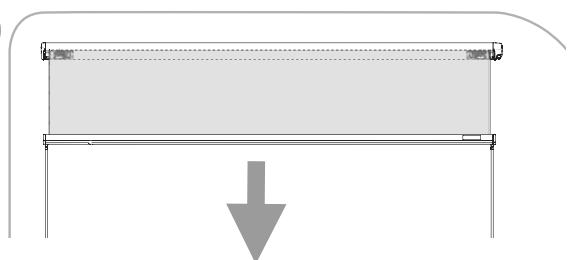
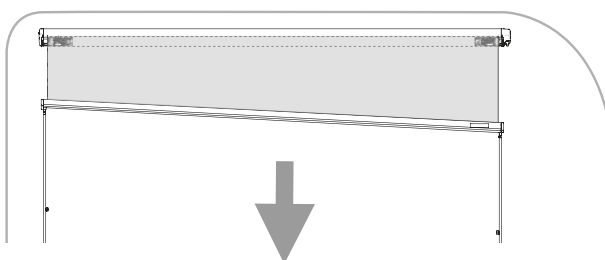


Never touch the screw underneath

**2** Screw/unscrew nut to reposition the arm.

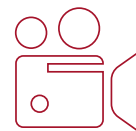


**3** Make sure that the front profile comes out horizontally when unrolling the awning.



### PRESTO FIX ROLLER ADJUSTMENT

Over a period of time, the canopy could become slack on the sides and the closing may not be perfect. Only for this problem you can work properly on the roller regulation cap PRESTO FIX (following the pictures) and the canopy's closing will be perfect. We suggest to use the roller regulation cap with moderation. In Fiamma ZIP there is no Presto Fix.



**1** Lead Bar does not close on the side opposite the winch.

**2** Unroll completely the awning.

**3** Work with a screwdriver on the regulation cap (ring nut) (A).

The Presto Fix is always on the opposite side of the winch

**4** Operation way. Rotating ring nut (A) clockwise, flange (B) will move widening (see the picture): it can be regulated by notches on cap (C).

**5** The awning will close again correctly.

	F45s	F45L	F45eagle	Compass	SlideOut	F80s	F65L	F65eagle	F40van	CaravanStore / XL	F35pro
Installation											
Motorhome											
Caravan											
Van Conversion											
Campervan											
4 x 4s											
Length	190 - 450	450 - 550	350 - 450	220 - 260	170 - 280	290 - 450	400 - 490	320 - 400	270	190 - 550	180 - 300
Extension	100 - 250	250	250	145 - 176	100	200 - 250	250	250	225	180 - 250	180 - 225
Weight	11,5 - 29,5 kg	39,0 - 46,5 kg	33,5 - 39,5 kg	16,5 - 19,5 kg	6,3 - 10,0 kg	27,0 - 36,5 kg	36,0 - 44,5 kg	30,0 - 37,5 kg	19,0 kg	6,0 - 16,9 kg	8,5 - 13,0 kg
Motor	Optional	Optional	Standard	-	-	Optional	Optional	Standard	-	-	-
Case box colour	Polar White Titanium Deep Black	Polar White Titanium	Polar White	Silver Black	Polar White Deep Black	Polar White Titanium Deep Black	Polar White Titanium Deep Black	Polar White Titanium	Deep Black	Grey Black	Titanium Deep Black
Canopy colour	Royal Grey Royal Blue Sahara Evergreen Bordeaux	Royal Grey Royal Blue Sahara Evergreen Bordeaux	Royal Grey	Light Grey	Royal Grey	Royal Grey Royal Blue	Royal Grey Royal Blue	Royal Grey	Royal Grey	Royal Grey Royal Blue	Royal Grey Royal Blue
Brackets	Standard	Standard	Standard	Optional	Standard	Optional	Optional	Optional for standard v. Standard for Ducatov.	Optional	-	Optional

**Use**  
The following tables identify the awning model, its year of manufacture and hence its serial number. This information is required by Fiamma to determine which spare parts are compatible with the awning.

- 1** Type of awning
- 2** Model and code
- 3** Year of production
- 4** Serial number

Wall awnings				
Model	Item-No.	Year	Serial number	
F45 Ti - Antracite	05724	2007 / 2009	> 9541000 - Aoo - 700045 > 9347533 - Aoo - 701732	
F45 Ti - Titanium	05520	2007 / 2011	> 9541000 - Aoo - 700045 > 9347533 - Aoo - 701732	
F45 Ti - Left - Titanium	05521	2007 / 2011	> 9541000 - Aoo - 700045 > 9347533 - Aoo - 701732	
F45 Ti - Deep Black	05724	2010 / 2011	> 9388443 - Aoo - 701732	
F45 Ti - Polar White	05680	2007 / 2011	> 9541000 - Aoo - 700045 > 9347533 - Aoo - 701732	
F45 Ti - Left - Polar White	05681	2007 / 2011	> 9541000 - Aoo - 700045 > 9347533 - Aoo - 701732	
F45 Ti ZIP (o8)	05730	2008 / 2011	> 9552195 - Aoo - 700045 > 9347533 - Aoo - 701732	
F45 Ti L - Polar White	05710	2007 / 2010	> 9550000 - Aoo - 700045 > 9347533 - Aoo - 701732	
F45 Ti L - Titanium	05530	2007 / 2010	> 9955000 - Aoo - 700045 > 9347533 - Aoo - 701732	
F45 Ti L - Polar White (o11)	05710	2011	> 94355371 - Aoo - 701732	
F45 Ti L - Titanium (o11)	05530	2011 / 2012	> 94355371 - Aoo - 701732	
F45 Ti L ZIP (o8)	05731	2008	> 9552195 - Aoo - 700045	
F45 Ti L ZIP (o9)	05731	2009 / 2010	> 9347533 - Aoo - 701732	
F45 Ti L ZIP (o11)	05731	2011	> 94355371 - Aoo - 701732	
F45 Ti Professional	05760	2007 / 2008	> 9541000 - Aoo - 700045	
F45s - Polar White	06280	> 2010	> 9425500 - Aoo - 701732	
F45s - Left - Polar White	06281	> 2011	> 9465700 - Aoo - 701732	
F45s - Titanium	06290	> 2011	> 9435900 - Aoo - 701732	
F45s - Left - Titanium	06291	> 2011	> 9435900 - Aoo - 701732	
F45s - Deep Black	06759	> 2012	> 9583100 - Aoo - 701732	
F45s - Left - Deep Black	07129	> 2014	> 9576400 - Aoo - 701732	
F45s ZIP	06463	> 2011	> 9435500 - Aoo - 701732	
F45 L - Polar White	06530	> 2011	> 9487000 - Aoo - 701732	
F45 L - Titanium	06532	> 2012	> 9488800 - Aoo - 701732	
F45 L ZIP	06531	> 2012	> 9495000 - Aoo - 701732	
F70 - Polar White	07250	> 2016	> 9673400 - Aoo - 701732	
F70 - Titanium	07252	> 2016	> 9673400 - Aoo - 701732	
Slide Out - Polar White	06902	> 2015	> 9367000 - Aoo - 701732	
Slide Out - Deep Black	07158	> 2014	> 9362700 - Aoo - 701732	

Wall awnings				
Model	Item-No.	Year	Serial number	
F5opro	03086	2000 / 2002	> 9175000 - Aoo - 700045	
F5o ZIP	03083	2000 / 2002	> 9175000 - Aoo - 700045	
F55pro	03118	2000 / 2002	> 9175000 - Aoo - 700045	
F55 ZIP	03083	2000 / 2002	> 9175000 - Aoo - 700045	
F45 Plus	02757	2000 / 2003	> 9175000 - Aoo - 700045	
F45 Plus L	02543	2000 / 2003	> 9175000 - Aoo - 700045	
F45 Plus s	02757	2000 / 2002	> 9187000 - Aoo - 702004	
F1	04334	2001 / 2002	> 9207000 - Aoo - 700045	
F1 ZIP	04631	2002	> 9260000 - Aoo - 700045	
F1 - Titanium	04334	2003 / 2006	> 9300119 - Aoo - 700045	
F1 - Titanium - Left	04364	2004 / 2006	> 9350000 - Aoo - 700045	
F1 L	04335	2001 / 2002	> 9207000 - Aoo - 700045	
F1 L - Titanium	04335	2003 / 2005	> 9300119 - Aoo - 700045	
F1 L - Titanium - Left	04365	2004 / 2005	> 9350000 - Aoo - 700045	
F1 L - Titanium (o6)	05002	2005 / 2006	> 9438700 - Aoo - 700045	
F1 L - Titanium (o6) - Left	05003	2005 / 2006	> 9438700 - Aoo - 700045	
F1 L - Titanium (o7)	05002	2007	> 9503800 - Aoo - 700045	
F1 L - Titanium (o7) - Left	05003	2007	> 9503800 - Aoo - 700045	
F1 L ZIP	05001	2002	> 9260000 - Aoo - 700045	
F1 Ti - Titanium	05520	2006 / 2007	> 9495000 - Aoo - 700045	
F45i	04640	2002 / 2007	> 9294000 - Aoo - 700045	
F45i - Left	04641	2003 / 2007	> 9337500 - Aoo - 700045	
F45i ZIP	04631	2003 / 2007	> 9300119 - Aoo - 700045	
F45i (o4)	04640	2003 / 2004	> 9300000 - Aoo - 700045	
F45i L	04642	2002 / 2003	> 9294000 - Aoo - 700045	
F45i L (o4)	04860	2003 / 2006	> 9340500 - Aoo - 700045	
F45i L (o4) - Left	04861	2005	> 9409100 - Aoo - 700045	
F45i L (o4) - ext. 280	05000	2003 / 2005	> 9343000 - Aoo - 700045	
F45i L (o6)	04860	2005 / 2006	> 9434600 - Aoo - 700045	
F45i L (o6) - Left	04861	2006	> 9452000 - Aoo - 700045	
F45i L (o7)	04860	2007	> 9503800 - Aoo - 700045	
F45i L (o7) - Left	04861	2007	> 9503800 - Aoo - 700045	
F45i L ZIP	04631	2003	> 9300119 - Aoo - 700045	
F45i L ZIP	05001	2004 / 2007	> 9351500 - Aoo - 700045	
Fiesta Electric	04639	2003 / 2007	> 9303000 - Aoo - 700045	
Fiesta Manual	04638	2003 / 2007	> 9303000 - Aoo - 700045	

Use

The following tables identify the awning model, its year of manufacture and hence its serial number. This information is required by Fiamma to determine which spare parts are compatible with the awning.

1	Type of awning	2	Model and code	3	Year of production	4	Serial number
Manual awnings							
	F15		Item-No.	Year	Serial number		
	F25		03586	2000 / 2001	> 63000 - A01 - 700045		
	CaravanStore (99)		03464	2000 / 2001	> 155000 - A01 - 700045		
	CaravanStore (02)		03464	2000 / 2002	> 155000 - A02 - 700045		
	CaravanStore (04)		03464	2002 / 2003	> 371690 - A02 - 700045		
	CaravanStore (05)		04857	2003 / 2005	> 9318000 - A02 - 700045		
	CaravanStore (07)		05238	2005 / 2006	> 9355500 - A02 - 700045		
	CaravanStore (013)		05540	2006 / 2012	> 9389000 - A02 - 700045		
	CaravanStore (014)		06760	2012 / 2013	> 9455499 - A02 - 701991		
	CaravanStore ZIP (04)		06760	> 2014	> 9601210 - A02 - 701991		
	CaravanStore ZIP (05)		04858	2003 / 2004	> 9318000 - A02 - 700045		
	CaravanStore ZIP (07)		05237	2004 / 2006	> 9351100 - A02 - 700045		
	CaravanStore ZIP (013)		05539	2006 / 2012	> 9389000 - A02 - 700045		
	CaravanStore ZIP (014)		06771	2012 / 2013	> 9455499 - A02 - 701991		
	CvStore XL - Black (018)		06771	2014 / 2017	> 9580700 - A02 - 701991		
	CaravanStore ZIP Light		07740	> 2017	> 9601210 - A02 - 701991		
	35 ZIP (05)		07740	> 2017	> 9654930 - A02 - 701991		
	35 ZIP (07)		06101	2010 / 2011	> 9667900 - A02 - 701991		
	W35		05236	2004 / 2005	> 9667900 - A02 - 701991		
	F35 Pro		05236	2006 / 2007	> 9523300 - A02 - 701732		
	F35 Pro (05)		05785	2008 / 2012	> 9302200 - A01 - 700045		
	F35 Pro (07)		03051	2000 / 2004	> 9303800 - A01 - 700045		
	F35 Pro - Deep Black (013)		05235	2005 / 2006	> 9350034 - A01 - 701732		
	F35 Pro - Titanium (013)		06458	2006 / 2012	> 9350034 - A01 - 701732		
	F35 Pro - Deep Black (014)		06458	2012 / 2013	> 9351471 - A01 - 701991		
	F35 Pro - Titanium (014)		06762	2012 / 2013	> 9357850 - A01 - 701991		
	F35 Pro L		06458	> 2014	> 9583557 - A01 - 701732		
	Compass - Black		06762	2012 / 2013	> 9357850 - A01 - 701991		
	Compass - Silver		05518	> 2014	> 9360568 - A01 - 701991		
			07261	2006 / 2007	> 9360568 - A01 - 701991		
			07260	> 2015	> 9303800 - A01 - 700045		
				> 2015	> 9636000 - A02 - 701991		

Roof awnings							
Model	Item-No.	Year	Serial number				
F60 Top	03744	2000 / 2003	> 5000 - A03 - 700045				
F65 Top	04420	2001 / 2006	> 5800 - A03 - 700045				
F65 Top (04)	04420	2004	> 9305030 - A03 - 701732				
F65 Top (05)	04420	2005	> 9300125 - A03 - 701732				
F65 - Antracite	05587	2007 / 2009	> 9301700 - A03 - 701732				
F65 - Polar White	04420	2006 / 2009	> 9313000 - A03 - 701732				
F65 - Polar White - Right	05430	2006 / 2010	> 9313932 - A03 - 700045				
F65 - Titanium	05529	2006 / 2013	> 9307300 - A03 - 701732				
F65 - Titanium - Right	05513	2006 / 2012	> 9307000 - A03 - 701732				
F65 - Polar White (09)	04420	2010 / 2013	> 9307000 - A03 - 701732				
F65 - Titanium (09)	05529	2010 / 2012	> 9324118 - A03 - 701732				
F65s - Polar White	05810	2008 / 2011	> 9324118 - A03 - 701732				
F65s - Titanium	05811	2008 / 2011	> 9318000 - A03 - 701732				
F65s - Deep Black	05812	2008 / 2011	> 9318000 - A03 - 701732				
F65s - Polar White (011)	05810	2012 / 2014	> 9318000 - A03 - 701732				
F65s - Titanium (011)	05811	2012 / 2014	> 9336519 - A03 - 701732				
F65s - Deep Black (011)	05812	2012 / 2014	> 9336519 - A03 - 701732				
F65s - Polar White (015)	05810	2015 / 2018	> 9336519 - A03 - 701732				
F65s - Titanium (015)	05811	2015 / 2018	> 9361962 - A03 - 701732				
F65s - Deep Black (015)	05812	2015 / 2018	> 9361962 - A03 - 701732				
F65L - Polar White	06858	2014	> 9353121 - A03 - 701732				
F65L - Titanium	06860	2014	> 9353121 - A03 - 701732				
F65L - Polar White (013)	06858	2013	> 9345000 - A03 - 701732				
F65L - Titanium (013)	06860	2013	> 9345000 - A03 - 701732				
F65L - Polar White (015)	06858	2015 / 2018	> 9361962 - A03 - 701732				
F65L - Titanium (015)	06860	2015 / 2018	> 9361962 - A03 - 701732				
F65L - Deep Black (015)	07568	2016 / 2017	> 9386900 - A03 - 701732				
F65L - Polar White (018)	07715	> 2018	> 9405500 - A03 - 701732				
F65L - Titanium (018)	07716	> 2018	> 9405500 - A03 - 701732				
F65L - Deep Black (018)	07717	> 2018	> 9405500 - A03 - 701732				
F80s - Polar White	07830	> 2018	> 9423500 - A03 - 701732				
F80s - Titanium	07832	> 2018	> 9423500 - A03 - 701732				
F80s - Deep Black	07831	> 2018	> 9423500 - A03 - 701732				
F40van	07503	> 2017	> 9389320 - A03 - 701991				



# F45s

## GENERAL INFORMATION

- Length: 185-448cm
- Extension: 100-250cm
- Canopy length: 169-431cm

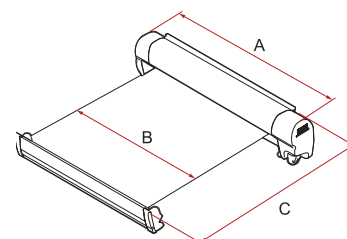
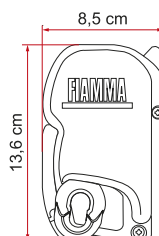


### CASE FINISHES:

- Polar White
- Titanium
- Deep Black

### CANOPY FINISHES:

- Royal Grey
- Royal Blue
- Sahara
- Evergreen
- Bordeaux

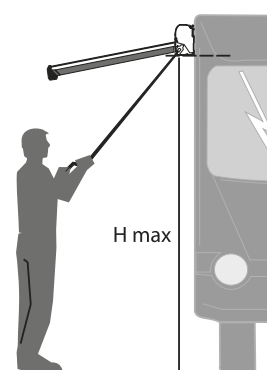


## TECHNICAL FEATURES

- Installation Brackets: standard adapters (provided with the awning) and more than 90 personalized brackets enable the mounting on special profiles
- Perfect Closing: fast and silent opening and closing thanks to the Auto-Lock safety system and perfect closing thanks to Dual Security device
- Roller support: Canopy always tight
- Reinforced leg knuckle
- LED: different LED lighting versions available: for arms, rafter, lead bar and case (p. 252)
- Motor Kit: available on request to motorize the awning
- Double Guide: double guide on the lead bar (ø 7mm) allowing the installation of two front panels or other accessories
- Left version with winch installed on the left side (for RHD), case in Polar White and canopy in Royal Grey available on request
- ZIP version (300-350) with zippers on the canopy allowing a fast installation of Fiamma ZIP (p. 136)



Maximum recommended height for fixing the awning envisaging the use of legs on the ground. Over this height, use the wall attachments. If necessary, get the Telescopic Crank Handle.



Awning	h MAX
F45s 190	-
F45s 230	2,6 m
F45s 260	2,4 m
F45s 300	2,9 m
F45s 350	3,4 m
F45s 375	3,4 m
F45s 400	3,4 m
F45s 425	3,4 m
F45s 450	3,4 m

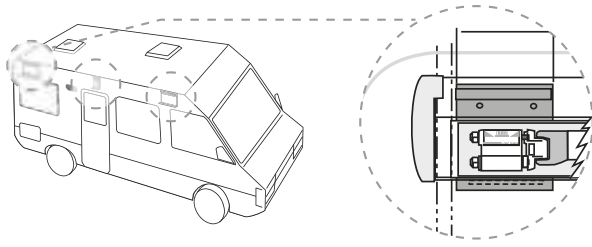
## ADVANTAGES

- Winch opening and closing operation by handle. Electric motor optional
- Visible slot, for easy crank handle insertion
- Wall installation with standard brackets included

## + ACCESSORIES

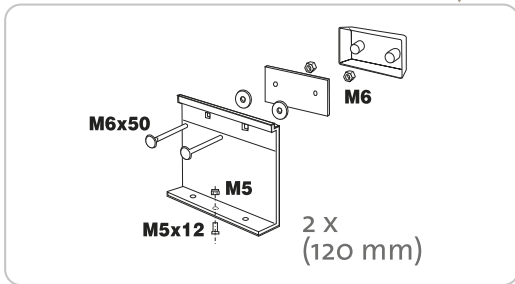
- Motor Kit F45s
- Privacy Room
- Privacy Room Light
- Privacy Room Ultra Light
- Blocker Pro / Blocker
- Sun View XL
- Shade Sun View
- Side W Pro
- Side W Pro Shade
- Sun View Side
- Patio-Mat
- Rafter (for awnings from 300 to 400cm)
- Rafter Pro
- Magicrafter / Pro
- Kit Awning Pegs
- Kit Awning Plate
- Tie Down / S
- Spoiler S
- Kit Awning Hangers
- Kit Repair Plus
- Kit Rain Guard
- Kit Awning Arms Led
- Kit Awning Led
- Rafter Led
- Led Awning Case
- Crank Handle Telescopic

## INSTALLATION STANDARD BRACKETS



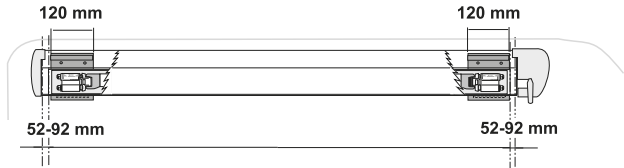
Standard for:  
F45s 190/230

**A**



**A**

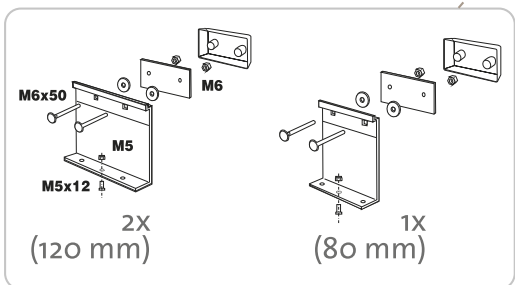
F45s 190/230



Standard for:

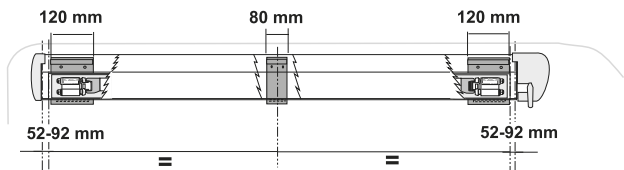
F45s 260/300/350/375/400/425  
ZIP 300/350

**B**



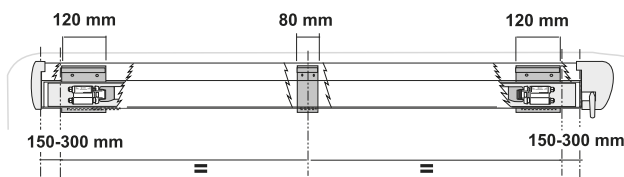
**B**

F45s 260/300 - ZIP 300



**B**

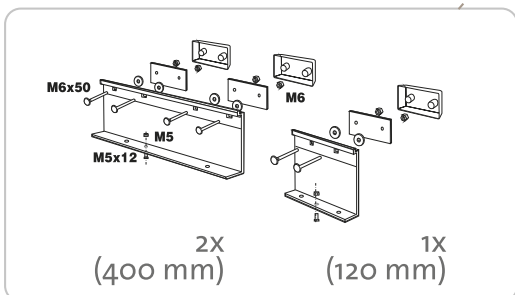
F45s 350/375/400/425 - ZIP 350



Standard for:

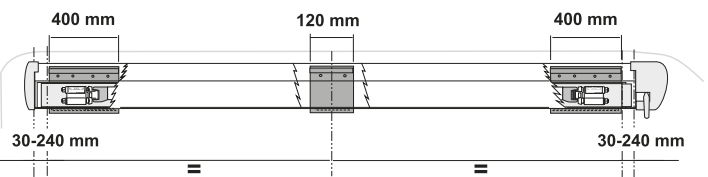
F45s 450

**C**



**C**

F45s 450



The central bracket, in case of impediments such as furniture, shower box etc., can be installed off-centre from the centre of the awning of MAX 10-15 cm.





Description	Awning length A	Canopy length B	Extension C	Shade surface	Weight	Fabric colours	Item No.	EAN Code
F45s 190 Polar White*	185 cm	169 cm	100 cm	1,7 m <sup>2</sup>	11,5 kg	Royal Grey	o628oMo1R	8004815354572
						Royal Blue	o628oMo1Q	8004815355142
F45s 230 Polar White	231 cm	214 cm	150 cm	3,2 m <sup>2</sup>	16,5 kg	Royal Grey	o628oPo1R	8004815354954
						Royal Blue	o628oPo1Q	8004815390952
F45s 260 Polar White	263 cm	247 cm	200 cm	4,9 m <sup>2</sup>	19,5 kg	Royal Grey	o628oHo1R	8004815352073
						Royal Blue	o628oHo1Q	8004815351946
						Sahara	o628oHo1S	8004815300555
						Evergreen	o628oHo1E	8004815303082
F45s 300 Polar White	308 cm	292 cm	250 cm	7,3 m <sup>2</sup>	23,0 kg	Bordeaux	o628oHo1D	8004815302825
						Royal Grey	o628oAo1R	8004815351717
						Royal Blue	o628oAo1Q	8004815350437
						Sahara	o628oAo1S	8004815286354
F45s 350 Polar White	348 cm	331 cm	250 cm	8,3 m <sup>2</sup>	25,0 kg	Evergreen	o628oAo1E	8004815286330
						Bordeaux	o628oAo1D	8004815286323
						Royal Grey	o628oBo1R	8004815351878
						Royal Blue	o628oBo1Q	8004815351953
F45s 375 Polar White	375 cm	357 cm	250 cm	8,9 m <sup>2</sup>	26,0 kg	Sahara	o628oBo1S	8004815286354
						Evergreen	o628oBo1E	8004815286415
						Bordeaux	o628oBo1D	8004815286408
						Royal Grey	o628oS01R	8004815383527
F45s 400 Polar White**	398 cm	381 cm	250 cm	9,5 m <sup>2</sup>	27,0 kg	Royal Blue	o628oS01Q	8004815390891
						Royal Grey	o628oCo1R	8004815350444
						Royal Blue	o628oCo1Q	8004815351960
						Sahara	o628oCo1S	8004815286439
F45s 425 Polar White**	423 cm	405 cm	250 cm	10,1 m <sup>2</sup>	28,2 kg	Evergreen	o628oCo1E	8004815286491
						Bordeaux	o628oCo1D	8004815286484
						Royal Grey	o628oQ01R	8004815370626
						Royal Blue	o628oQ01Q	8004815390921
F45s 450 Polar White**	448 cm	431 cm	250 cm	10,8 m <sup>2</sup>	29,5 kg	Royal Grey	o628oG01R	8004815349172
						Royal Blue	o628oG01Q	8004815351977
						Sahara	o628oG01S	8004815286590
						Evergreen	o628oG01E	8004815286576
						Bordeaux	o628oG01D	8004815302825

\* Awning for the main door, comes without vertical support legs.

\*\* 1 Tension Rafter made of anodized aluminium included.

Left version with winch installed on the left side (for RHD), case in Polar White and canopy in Royal Grey available on request.





Description	Awning length A	Canopy length B	Extension C	Shade surface	Weight	Fabric colours	Item No.	EAN Code
F45s 190 Titanium*	185 cm	169 cm	100 cm	1,7 m <sup>2</sup>	11,5 kg	Royal Grey	06290Mo1R	8004815391287
						Royal Blue	06290Mo1Q	8004815391270
F45s 230 Titanium	231 cm	214 cm	150 cm	3,2 m <sup>2</sup>	16,5 kg	Royal Grey	06290Po1R	8004815391294
						Royal Blue	06290Po1Q	8004815391300
F45s 260 Titanium	263 cm	247 cm	200 cm	4,9 m <sup>2</sup>	19,5 kg	Royal Grey	06290Ho1R	8004815355036
						Royal Blue	06290Ho1Q	8004815355159
F45s 300 Titanium	308 cm	292 cm	250 cm	7,3 m <sup>2</sup>	23,0 kg	Royal Grey	06290Ao1R	8004815353544
						Royal Blue	06290Ao1Q	8004815356408
F45s 350 Titanium	348 cm	331 cm	250 cm	8,3 m <sup>2</sup>	25,0 kg	Royal Grey	06290Bo1R	8004815355074
						Royal Blue	06290Bo1Q	8004815355166
F45s 375 Titanium	375 cm	357 cm	250 cm	8,9 m <sup>2</sup>	26,0 kg	Royal Grey	06290So1R	8004815391256
						Royal Blue	06290So1Q	8004815391249
F45s 400 Titanium**	398 cm	381 cm	250 cm	9,5 m <sup>2</sup>	27,0 kg	Royal Grey	06290Co1R	8004815354602
						Royal Blue	06290Co1Q	8004815355173
F45s 425 Titanium**	423 cm	405 cm	250 cm	10,1 m <sup>2</sup>	28,2 kg	Royal Grey	06290Qo1R	8004815383510
						Royal Blue	06290Qo1Q	8004815391676
F45s 450 Titanium**	448 cm	431 cm	250 cm	10,8 m <sup>2</sup>	29,5 kg	Royal Grey	06290Go1R	8004815354626
						Royal Blue	06290Go1Q	8004815355180
F45s 190 Deep Black*	185 cm	169 cm	100 cm	1,7 m <sup>2</sup>	11,5 kg	Royal Grey	06759Mo1R	8004815381844
F45s 230 Deep Black	231 cm	214 cm	150 cm	3,2 m <sup>2</sup>	16,5 kg	Royal Grey	06759Po1R	8004815381905
F45s 260 Deep Black	263 cm	247 cm	200 cm	4,9 m <sup>2</sup>	19,5 kg	Royal Grey	06759Ho1R	8004815354701
F45s 300 Deep Black	308 cm	292 cm	250 cm	7,3 m <sup>2</sup>	23,0 kg	Royal Grey	06759Ao1R	8004815354725
F45s 350 Deep Black	348 cm	331 cm	250 cm	8,3 m <sup>2</sup>	25,0 kg	Royal Grey	06759Bo1R	8004815355104
F45s 375 Deep Black	375 cm	357 cm	250 cm	8,9 m <sup>2</sup>	26,0 kg	Royal Grey	06759So1R	8004815391614
F45s 400 Deep Black**	398 cm	381 cm	250 cm	9,5 m <sup>2</sup>	27,0 kg	Royal Grey	06759Co1R	8004815350451
F45s 425 Deep Black**	423 cm	405 cm	250 cm	10,1 m <sup>2</sup>	28,2 kg	Royal Grey	06759Qo1R	8004815391638
F45s 450 Deep Black**	448 cm	431 cm	250 cm	10,8 m <sup>2</sup>	29,5 kg	Royal Grey	06759Go1R	8004815391621

\* Awning for the main door, comes without vertical support legs.

\*\* 1 Tension Rafter made of anodized aluminium included.

Left version with winch installed on the left side (for RHD), case in Polar White and canopy in Royal Grey available on request.



Arms replacement



Fabric replacement



Installation





# F45s VW T5/T6

## GENERAL INFORMATION

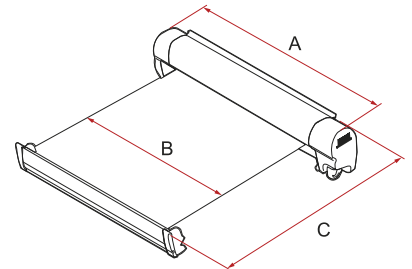
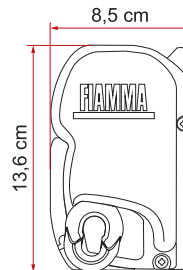
- Length: 263-308cm
- Extension: 200cm
- Canopy length: 247-292cm

### CASE FINISHES:

-  Polar White
-  Titanium
-  Deep Black

### CANOPY FINISHES:

-  Royal Grey



## TECHNICAL FEATURES

- Installation Brackets: the wall awning F45s 260 or 300cm, specific version for VW T5/T6/T6.1, is delivered as standard with specific installation kit
- Perfect Closing: fast and silent opening and closing thanks to the Auto-Lock safety system and perfect closing thanks to Dual Security device
- Roller support: Canopy always tight
- Reinforced leg knuckle
- LED: different LED lighting versions available: for arms, rafter, lead bar and case (p. 252)
- Double Guide: double guide on the lead bar ( $\varnothing$  7mm) allowing the installation of two front panels or other accessories
- Pre-drilled box for easy installation on the vehicle using the supplied brackets

## ADVANTAGES

- Wall installation with specific installation kit included
- Specially designed for VW T5/T6/T6.1
- Lengths from 260 to 300
- Three case finishes and canopy Royal Grey

## + ACCESSORIES

- |                            |                      |                             |                         |
|----------------------------|----------------------|-----------------------------|-------------------------|
| • Privacy Room             | • Sun View Side      | • Kit Awning Pegs           | • Kit Repair Plus       |
| • Privacy Room Light       | • Shade Sun View     | • Kit Rain Guard Van        | • Awning Arms Led       |
| • Privacy Room Ultra Light | • Patio-Mat          | • Kit Rain Guard California | • Kit Awning Led        |
| • Blocker Pro / Blocker    | • Rafter             | • Tie Down                  | • Rafter Led            |
| • Sun View XL              | • Kit Awning Hangers | • Tie Down S                | • Crank Handle Standard |
| • Side W Pro               | • Kit Awning Plate   |                             |                         |



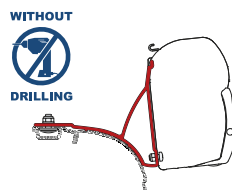
## WHICH MODEL OF VW DO YOU HAVE?

The following chart helps you choose the right awning for your VW depending on the length of the vehicle, the type of rail mounted and which side the steering wheel is situated.

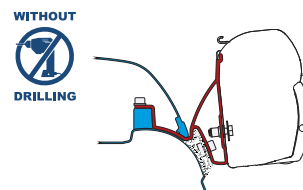
Brackets on page 22.



Volkswagen C Rail



Kit VW T5/T6 Multivan Comfortline Transporter delivered as standard with F45s Multivan Transporter



Kit VW T5/T6 California delivered as standard with F45s California

Volkswagen C Rail		Short wheel base Right* Vehicle length 4892 mm Wheel base 3000 mm	Short wheel base Left* Vehicle length 4892 mm Wheel base 3000 mm	Long wheel base Right* Vehicle length 5292 mm Wheel base 3400 mm	Long wheel base Left* Vehicle length 5292 mm Wheel base 3400 mm
VW T5/T6/T6.1 with no C rail	Awning	F45s 260 standard	F45s 260 standard	-	-
	Adapter	98655-647	98655-648	-	-
VW T5/T6/T6.1 with C rail	Awning	Titanium 06290Do1R Deep Black 06759Do1R	Titanium 06291Do1R Deep Black 07129Do2R	Titanium 06290Ro1R Deep Black 06759Ro1R	Titanium 06291Ro1R Deep Black 07129Ro2R
	Adapter	Standard with the awning	Standard with the awning	Standard with the awning	Standard with the awning
VW T5/T6/T6.1 California	Awning	Polar White 06280Eo1R Titanium 06290Eo1R Deep Black 06759Eo1R	-	-	-
	Adapter	Standard with the awning	-	-	-
VW T5/T6/T6.1 with Top-rail Reimo	Awning	F45s 260 standard	F45s 260 standard	-	-
	Adapter	98655-590	98655-590	-	-
VW T5/T6/T6.1 with Rail Brandrup	Awning	F45s 260 standard	F45s 260 standard	-	-
	Adapter	98655-627	98655-627	-	-

Right\* = awning to be installed on the right side of the vehicle, preset for Left Hand Drive vehicles  
Left\* = awning to be installed on the left side of the vehicle, preset for Right Hand Drive vehicles (UK)

Description	Awning length A	Canopy length B	Extension C	Shade surface	Weight	Item No.	EAN Code
F45s 260 VW T5/T6 California Polar White	263 cm	247 cm	200 cm	4,94 m <sup>2</sup>	19,5 kg	06280Eo1R	8004815383503
F45s 260 VW T5/T6 M / T Titanium	263 cm	247 cm	200 cm	4,94 m <sup>2</sup>	19,5 kg	06290Do1R	8004815355043
F45s 260 VW T5/T6 C Titanium	263 cm	247 cm	200 cm	4,94 m <sup>2</sup>	19,5 kg	06290Eo1R	8004815355050
F45s 260 VW T5/T6 T Left Titanium*	263 cm	247 cm	200 cm	4,94 m <sup>2</sup>	19,5 kg	06291Do1R	8004815355081
F45s 300 VW T5/T6 M / T LWB Titanium	308 cm	292 cm	200 cm	5,84 m <sup>2</sup>	22,0 kg	06290Ro1R	8004815355067
F45s 300 VW T5/T6 M / T LWB Left Titanium*	308 cm	292 cm	200 cm	5,84 m <sup>2</sup>	22,0 kg	06291Ro1R	8004815354671
F45s 260 VW T5/T6 M / T Deep Black	263 cm	247 cm	200 cm	4,94 m <sup>2</sup>	19,5 kg	06759Do1R	8004815354749
F45s 260 VW T5/T6 M / T Left Deep Black* / **	263 cm	247 cm	200 cm	4,94 m <sup>2</sup>	19,5 kg	07129Do2R	8004815352455
F45s 260 VW T5/T6 C Deep Black	263 cm	247 cm	200 cm	4,94 m <sup>2</sup>	19,5 kg	06759Eo1R	8004815354763
F45s 300 VW T5/T6 M / T LWB Deep Black	308 cm	292 cm	200 cm	5,84 m <sup>2</sup>	22,0 kg	06759Ro1R	8004815355098
F45s 300 VW T5/T6 M / T LWB Left Deep Black* / **	308 cm	292 cm	200 cm	5,84 m <sup>2</sup>	22,0 kg	07129Ro2R	8004815352462

The F45s Titanium 260 and 300 VW T5/T6 Multivan, Transporter and California are delivered as standard with installation kit, consisting of 2 brackets.  
No drilling of the vehicle required.

Left\* = Special version with winch on the left side, preset for Right Hand Drive vehicles (UK).

\*\* Installation Kit, delivered as standard, is in Deep Black finish like the awning  
M: Multivan T: Transporter C: California LWB = long wheel base - Fabric colour: Royal Grey



Installation





# F45s PSA

## GENERAL INFORMATION

- Length: 263cm
- Extension: 200cm
- Canopy length: 247cm

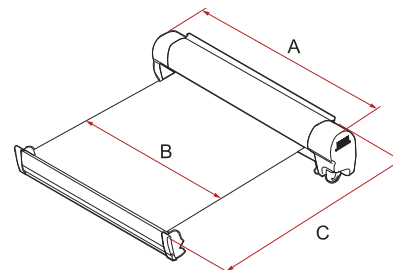
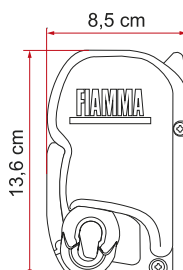


### CASE FINISHES:

- Polar White
- Deep Black

### CANOPY FINISHES:

- Royal Grey



## TECHNICAL FEATURES

- Installation Brackets: the wall awning F45s 260cm, specific version for PSA, is delivered as standard with specific installation kit
- Perfect Closing: fast and silent opening and closing thanks to the Auto-Lock safety system and perfect closing thanks to Dual Security device
- Roller support: Canopy always tight
- Reinforced leg knuckle
- LED: different LED lighting versions available: for arms, rafter, lead bar and case (p. 252)
- Double Guide: double guide on the lead bar (ø 7mm) allowing the installation of two front panels or other accessories

### ADVANTAGES

- Wall installation with specific installation kit included
- Specially designed for PSA
- Two case finishes and canopy Royal Grey

Description	Awning length A	Canopy length B	Extension C	Shade surface	Weight	Item No.	EAN Code
F45s 260 PSA Polar White	263 cm	247 cm	200 cm	4,9 m <sup>2</sup>	19,5 kg	06280Fo1R	8004815406165
F45s 260 PSA Deep Black	263 cm	247 cm	200 cm	4,9 m <sup>2</sup>	19,5 kg	06759Fo1R	8004815406172

The F45s PSA is delivered as standard with installation kit, consisting of 2 brackets.

### + ACCESSORIES

- Privacy Room Light Van
- Privacy Room Ultra Light Van
- Blocker
- Blocker Pro
- Sun View XL
- Side W Pro
- Side W Pro Shade
- Sun View Side
- Shade Sun View
- Patio-Mat
- Rafter Pro
- Kit Awning Plate
- Kit Awning Pegs
- Kit Rain Guard Van
- Tie Down
- Tie Down S
- Kit Repair Plus
- Awning Arms Led
- Kit Awning Led
- Rafter Led
- Crank Handle Standard

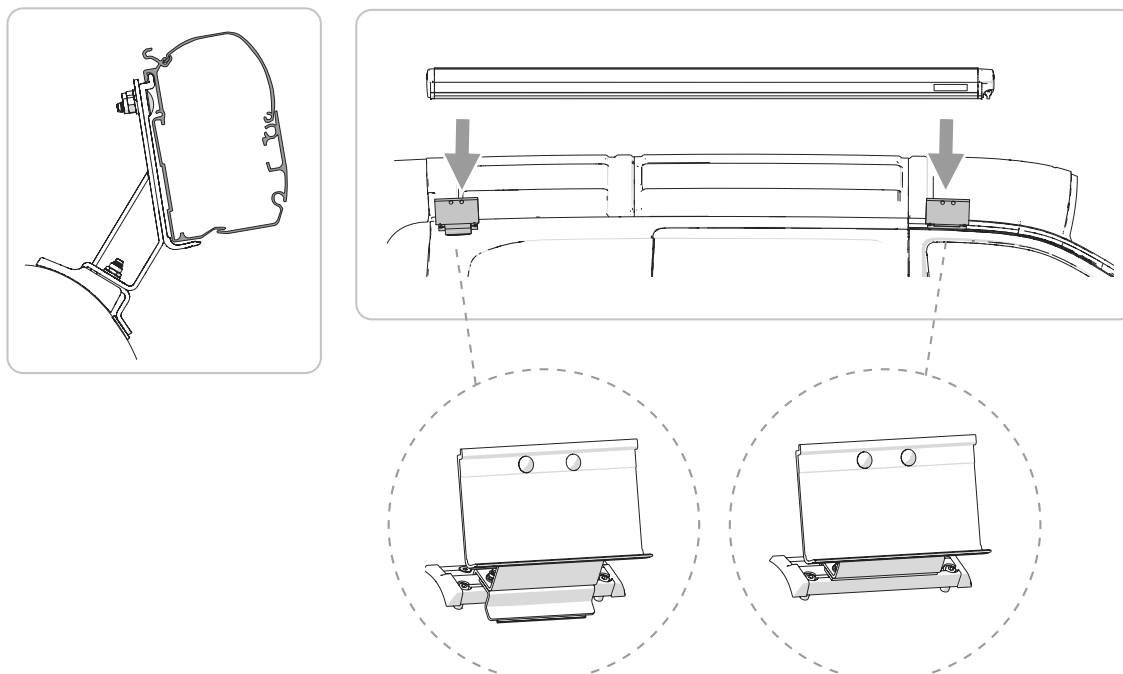


### WHICH MODEL OF PSA DO YOU HAVE?

The following table tells you exactly which brand, model, height, length and year van our PSA awnings are compatible with.

Brand	Model	Year	Height H1 1890 mm	Length L 4956 mm		
Citroën	Jumpy III generat.	> 2016	H1	L	Awning	F45s PSA
					Adapter	Standard with the awning F45s PSA
	Spacetourer	> 2016	H1	L	Awning	F45s PSA
					Adapter	Standard with the awning F45s PSA
Opel / Vauxhall	Vivaro C	> 2019	H1	L	Awning	F45s PSA
					Adapter	Standard with the awning F45s PSA
	Zafira Life 2019 Vivaro Life 2019	> 2019	H1	L	Awning	F45s PSA
					Adapter	Standard with the awning F45s PSA
Peugeot	Expert III generat.	> 2016	H1	L	Awning	F45s PSA
					Adapter	Standard with the awning F45s PSA
	Traveller	> 2016	H1	L	Awning	F45s PSA
					Adapter	Standard with the awning F45s PSA
Toyota	ProAce II	> 2016	H1	L	Awning	F45s PSA
					Adapter	Standard with the awning F45s PSA
	ProAce Verso	> 2016	H1	L	Awning	F45s PSA
					Adapter	Standard with the awning F45s PSA

### INSTALLATION STANDARD BRACKETS



Installation





# F45L

## GENERAL INFORMATION

- Length: 452-552 cm
- Extension: 250cm
- Canopy length: 435-535cm

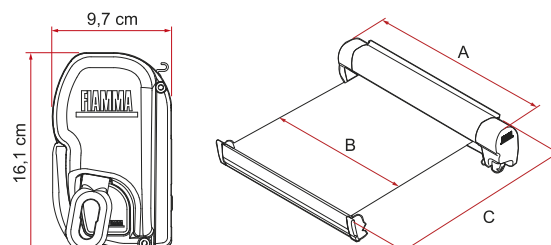


### CASE FINISHES:

- Polar White
- Titanium

### CANOPY FINISHES:

- Royal Grey
- Royal Blue
- Sahara
- Evergreen
- Bordeaux



## TECHNICAL FEATURES

- Installation Brackets: standard adapters (provided with the awning) and more than 90 personalized brackets enable the mounting on special profiles
- Perfect Closing: fast and silent opening and closing thanks to the Auto-Lock safety system and perfect closing thanks to Dual Security device
- Roller support: Canopy always tight, reinforced leg knuckle
- LED: different LED lighting versions available: for arms, rafter, lead bar and case (p. 252)
- Motor Kit: available on request to motorize the awning
- Double Guide: double guide on the lead bar (ø 7mm) allowing the installation of two front panels or other accessories
- ZIP version (400-450) with zippers on the canopy allowing a fast installation of Fiamma ZIP (p. 136)

### ADVANTAGES

- Winch opening and closing. Operation by handle. Electric motor optional
- Visible slot, for easy crank handle insertion
- Wall installation with standard brackets included
- Highly resistant and reinforced structure

Description	Awning length A	Canopy length B	Extension C	Shade surface	Weight	Fabric colours	Item No.	EAN Code
F45L 450 Polar White	452 cm	435 cm	250 cm	10,9 m <sup>2</sup>	39,0 kg	Royal Grey	06530-01R	8004815350468
						Royal Blue	06530-01Q	8004815354893
						Sahara	06530-01S	8004815305406
						Evergreen	06530-01E	8004815311827
						Bordeaux	06530-01D	8004815302108
F45L 500 Polar White	502 cm	485 cm	250 cm	12 m <sup>2</sup>	42,5 kg	Royal Grey	06530A01R	8004815354787
						Royal Blue	06530A01Q	8004815355197
						Sahara	06530A01S	8004815304287
						Evergreen	06530A01E	8004815311834
						Bordeaux	06530A01D	8004815302115
F45L 550 Polar White	552 cm	535 cm	250 cm	13,3 m <sup>2</sup>	46,5 kg	Royal Grey	06530B01R	8004815354800
						Royal Blue	06530B01Q	8004815355203
						Sahara	06530B01S	8004815309497
						Evergreen	06530B01E	8004815303662
						Bordeaux	06530B01D	8004815302122
F45L 450 Titanium	452 cm	435 cm	250 cm	10,9 m <sup>2</sup>	39,0 kg	Royal Grey	06532-01R	8004815355111
						Royal Blue	06532-01Q	8004815355210
F45L 500 Titanium	502 cm	485 cm	250 cm	12 m <sup>2</sup>	42,5 kg	Royal Grey	06532A01R	8004815355128
						Royal Blue	06532A01Q	8004815355227
F45L 550 Titanium	552 cm	535 cm	250 cm	13,3 m <sup>2</sup>	46,5 kg	Royal Grey	06532B01R	8004815355135
						Royal Blue	06532B01Q	8004815355234

1 Tension Rafter included, made of anodized aluminium.

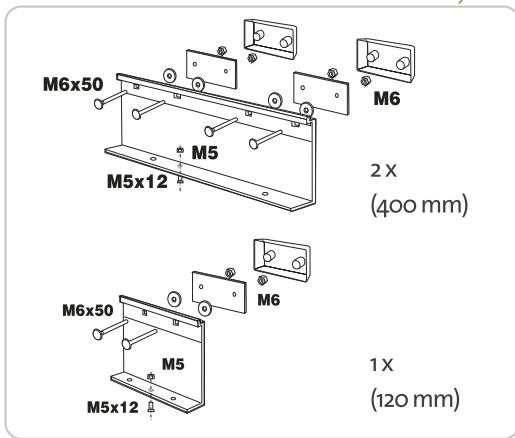


## INSTALLATION STANDARD BRACKETS

Standard for:

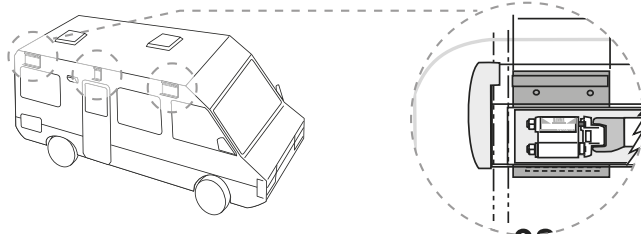
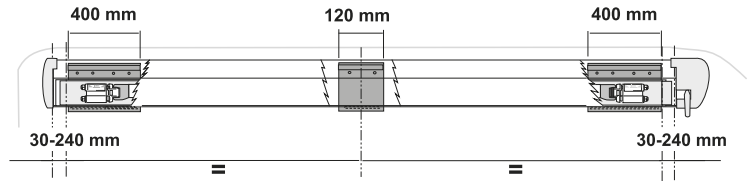
F45L 450/500-ZIP 400/450

**A**



**A**

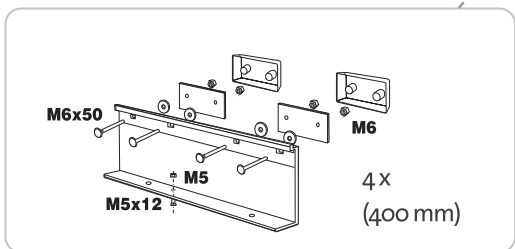
F45L 450/500-ZIP 400/450



Standard for:

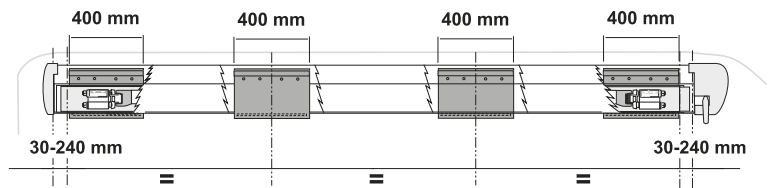
F45L 550

**B**

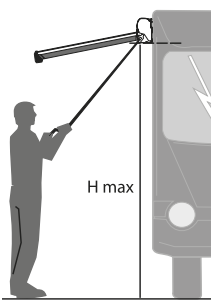


**B**

F45L 550



The central bracket, in case of impediments such as furniture, shower box etc., can be installed off-centre from the centre of the awning of MAX 10-15 cm.



Maximum recommended height for fixing the awning envisaging the use of legs on the ground. Over this height, use the wall attachments.

Awning	h MAX
F45L 450	3,4 m
F45L 500	3,4 m
F45L 550	3,4 m



### + ACCESSORIES

- Motor Kit F45L
- Privacy Room
- Privacy Room Ultra Light
- Blocker Pro
- Sun View XL
- Shade Sun View
- Side W Pro / Pro Shade
- Sun View Side
- Patio-Mat
- Rafter Pro
- Magicrafter Pro (only for 450 cm awning)
- Kit Awning Pegs
- Kit Awning Plate
- Tie Down / S
- Spoiler S
- Kit Awning Hangers
- Kit Repair Plus
- Kit Rain Guard
- Awning Arms Led
- Kit Awning Led
- Rafter Led
- Led Awning Case



Installation







# F45eagle

## GENERAL INFORMATION

- Length: 263cm
- Extension: 200cm
- Canopy length: 247cm

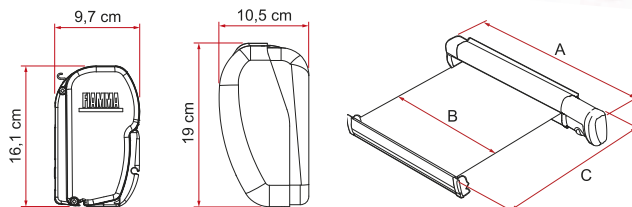


### CASE FINISHES:

Polar White

### CANOPY FINISHES:

Royal Grey



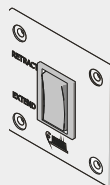
## TECHNICAL FEATURES

- Motor Kit: 12V electrical standard motorization allows electric opening and closing, manual operation is always possible in case of emergency
- Wall Control System for Motor Kit
- The self-supporting arms are reinforced thanks to the sturdy duralumin Double Block that doesn't require the use of support legs
- Wind Detection System: wind sensor that automatically activates the 12V motor and closes the awning in case of strong wind, avoiding possible damage
- Sturdy knuckle adjustable inclination from 5° to 17° (the angle of inclination of the arms is prefixed at 10 degrees)
- Delivered as standard with full length bracket, screws with spacers and internal counter-brackets for a safe and solid installation on the vehicle
- LED: different LED lighting versions available: for arms, rafter, lead bar and case (p. 252)

### ADVANTAGES

- 12V motorized legless awning (winch automated) equipped with wind sensor
- Self-supporting arms and inclination adjustment
- Equipped with electrical safety devices to prevent motor/circuit damage

### WALL CONTROL SYSTEM FOR MOTOR KIT



### WIND-DETECTION SYSTEM



Description	Awning length A	Canopy length B	Extension C	Shade surface	Weight	Fabric colours	Item No.	EAN Code
F45eagle 350	366 cm	335 cm	250 cm	8,3 m <sup>2</sup>	33,5 kg	Royal Grey	06472-01R	8004815357207
F45eagle 400	416 cm	385 cm	250 cm	9,6 m <sup>2</sup>	36,5 kg	Royal Grey	06472A01R	8004815355722
F45eagle 450	466 cm	435 cm	250 cm	11 m <sup>2</sup>	39,5 kg	Royal Grey	06472B01R	8004815355739

Important: Verify if the motorhome or motorcaravan is suitable for the installation of the F45eagle with sturdy full length aluminium bracket. The vehicle must be robust enough to support the weight and the tension of the open awning. Fiamma refuses all responsibility for damage to the walls or for water ingress due to incorrect installation or due to installations on weak walls



### + ACCESSORIES

- Patio Mat
- Kit Repair Plus
- Kit Rain Guard
- Awning Arms Led
- Kit Awning Led
- Led Awning Case
- Shade Sun View



Installation







# SlideOut

## GENERAL INFORMATION

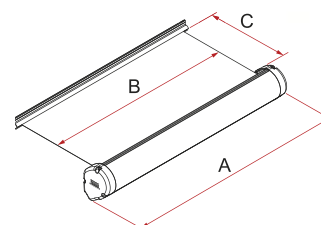
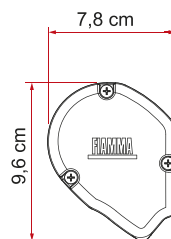
- Length: 168-278cm
- Extension: 100cm
- Canopy length: 162-272cm

### CASE FINISHES:

- Polar White
- Deep Black

### CANOPY FINISHES:

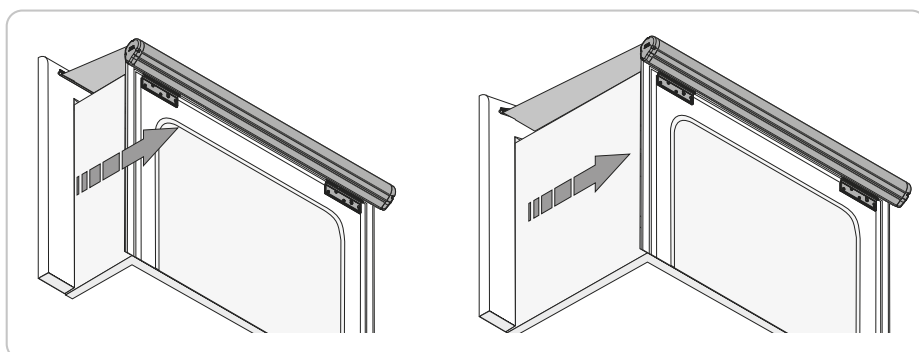
- Royal Grey



## TECHNICAL FEATURES

- Specific for vehicle with rear and side pop out walls
- The fabric of the awning automatically rolls up and extends to one meter. Protects the pop out wall of your vehicle from the sun and damaging effects over time

## AWNING OPENING



### ADVANTAGES

- Awning for pop out walls
- Wall installation with standard brackets included

Description	Awning length A	Canopy length B	Extension C	Shade surface	Weight	Fabric colours	Item No.	EAN Code
SlideOut 170 Polar White	168 cm	162 cm	100 cm	1,6 m <sup>2</sup>	6,3 kg	Royal Grey	06902-01R	8004815355784
SlideOut 200 Polar White	198 cm	192 cm	100 cm	1,9 m <sup>2</sup>	7,3 kg	Royal Grey	06902B01R	8004815355791
SlideOut 280 Polar White	278 cm	272 cm	100 cm	2,7 m <sup>2</sup>	10,0 kg	Royal Grey	06902D01R	8004815355807
SlideOut 170 Deep Black	168 cm	162 cm	100 cm	1,6 m <sup>2</sup>	6,3 kg	Royal Grey	07158-01R	8004815355777
SlideOut 200 Deep Black	198 cm	192 cm	100 cm	1,9 m <sup>2</sup>	7,3 kg	Royal Grey	07158B01R	80048153550512
SlideOut 280 Deep Black	278 cm	272 cm	100 cm	2,7 m <sup>2</sup>	10,0 kg	Royal Grey	07158D01R	8004815355937

The awning is delivered as standard with installation brackets, not equipped with legs and arms, exclusively designed for slide out walls.



Installation





# F80s

## GENERAL INFORMATION

- Length: 290-450cm
- Extension: 200-250cm
- Canopy length: 278-431cm

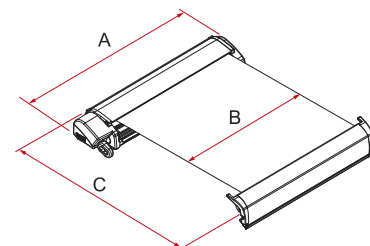
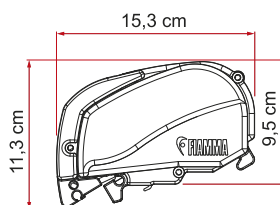


### CASE FINISHES:

- Polar White
- Titanium
- Deep Black

### CANOPY FINISHES:

- Royal Grey
- Royal Blue

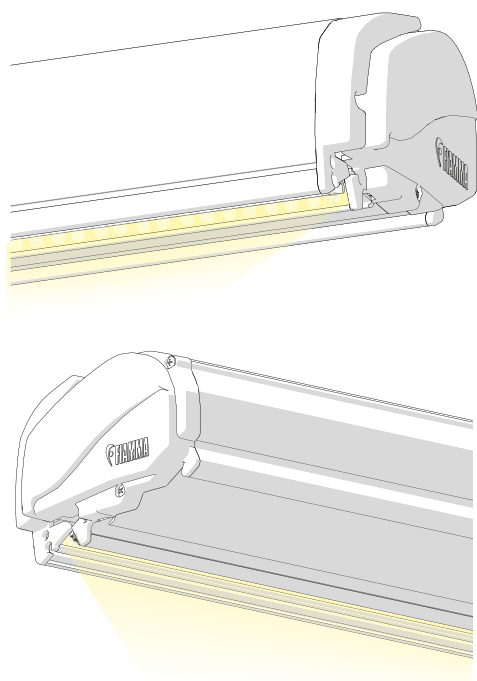


## TECHNICAL FEATURES

- Compact section: case and lead bar are more compact but as strong as ever. The awning has improved aerodynamic performance as a result of having a 20% slimmer cross-section than F65s model
- Dual LED Predefined position in lead bar + case: housings for the addition of the optional LED Strip Awning full-length lighting kit (5m adhesive strip) are made inside the case and the lead bar (p. 242)
- Triple Guide: three guides on the lead bar (ø 7 mm) for fitting two front panels and other accessories (example: Kit Awning Hangers)
- The awning is provided without brackets, simply choose the most suitable one for your vehicle. More than 40 different kits to choose from. The F80 awning can be installed on F65s/L awnings' brackets
- Motor Kit: the awning can be fitted with a double version of the Motor Kit, the Motor Kit Compact (with wall control panel) or the "Plus" version (wall control + remote control)
- Aerodynamic and compact design, robust product
- Possibility of adjusting the front panel inclination

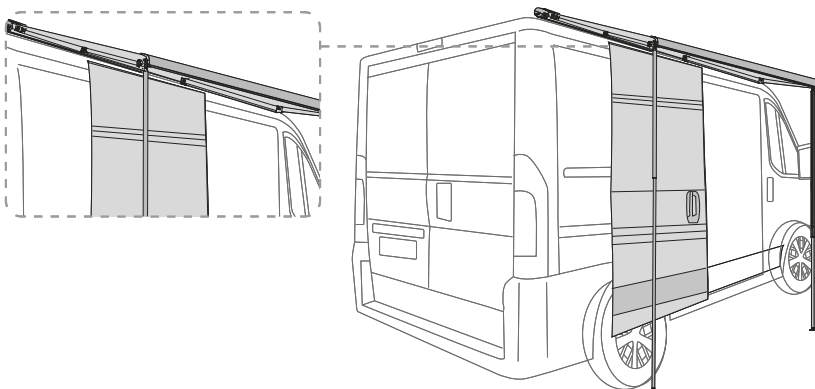
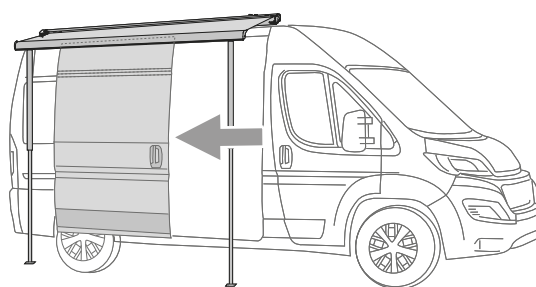
## LED CASE AND LEAD BAR

Use of LEDs even when the awning is fully closed



## F80s ON DUCATO

The F80s allows the Ducato side door to be opened even when the awning is open





For the 370 and 400 cm sizes installed to a Ducato H2 with kit 98655-745, you will have to add the 50cm F8o/F65 Rain Guard kit, Item-No. 98655Z019.

Description	Awning length A	Canopy length B	Extension C	Shade surface	Weight	Fabric colours	Item No.	EAN Code
F8os 290 Polar White	290 cm	278 cm	200 cm	5,6 m <sup>2</sup>	27,0 kg	Royal Grey	07830A01R	8004815377618
						Royal Blue	07830A01Q	8004815390082
F8os 320 Polar White	320 cm	308 cm	250 cm	7,7 m <sup>2</sup>	29,0 kg	Royal Grey	07830B01R	8004815386610
						Royal Blue	07830B01Q	8004815390099
F8os 340 Polar White	340 cm	328 cm	250 cm	8,2 m <sup>2</sup>	30,0 kg	Royal Grey	07830C01R	8004815386627
						Royal Blue	07830C01Q	8004815390105
F8os 370 Polar White	370 cm	358 cm	250 cm	9,0 m <sup>2</sup>	32,0 kg	Royal Grey	07830D01R	8004815379902
						Royal Blue	07830D01Q	8004815390112
F8os 400* Polar White	400 cm	388 cm	250 cm	9,7 m <sup>2</sup>	34,0 kg	Royal Grey	07830E01R	8004815386634
						Royal Blue	07830E01Q	8004815390129
F8os 425* Polar White	425 cm	412 cm	250 cm	10,3 m <sup>2</sup>	35,0 kg	Royal Grey	07830F01R	8004815386641
						Royal Blue	07830F01Q	8004815390136
F8os 450* Polar White	450 cm	431 cm	250 cm	10,8 m <sup>2</sup>	36,5 kg	Royal Grey	07830G01R	8004815386658
						Royal Blue	07830G01Q	8004815390143
F8os 290 Titanium	290 cm	278 cm	200 cm	5,6 m <sup>2</sup>	27,0 kg	Royal Grey	07832A01R	8004815377632
						Royal Blue	07832A01Q	8004815390228
F8os 320 Titanium	320 cm	308 cm	250 cm	7,7 m <sup>2</sup>	29,0 kg	Royal Grey	07832B01R	8004815386719
						Royal Blue	07832B01Q	8004815390235
F8os 340 Titanium	340 cm	328 cm	250 cm	8,2 m <sup>2</sup>	30,0 kg	Royal Grey	07832C01R	8004815386726
						Royal Blue	07832C01Q	8004815390242
F8os 370 Titanium	370 cm	358 cm	250 cm	9,0 m <sup>2</sup>	32,0 kg	Royal Grey	07832D01R	8004815386733
						Royal Blue	07832D01Q	8004815390259
F8os 400* Titanium	400 cm	388 cm	250 cm	9,7 m <sup>2</sup>	34,0 kg	Royal Grey	07832E01R	8004815386740
						Royal Blue	07832E01Q	8004815390266
F8os 425* Titanium	425 cm	412 cm	250 cm	10,3 m <sup>2</sup>	35,0 kg	Royal Grey	07832F01R	8004815386757
						Royal Blue	07832F01Q	8004815390273
F8os 450* Titanium	450 cm	431 cm	250 cm	10,8 m <sup>2</sup>	36,5 kg	Royal Grey	07832G01R	8004815386764
						Royal Blue	07832G01Q	8004815390280
F8os 290 Deep Black	290 cm	278 cm	200 cm	5,6 m <sup>2</sup>	27,0 kg	Royal Grey	07831A01R	8004815377625
F8os 320 Deep Black	320 cm	308 cm	250 cm	7,7 m <sup>2</sup>	29,0 kg	Royal Grey	07831B01R	8004815386665
F8os 340 Deep Black	340 cm	328 cm	250 cm	8,2 m <sup>2</sup>	30,0 kg	Royal Grey	07831C01R	8004815386672
F8os 370 Deep Black	370 cm	358 cm	250 cm	9,0 m <sup>2</sup>	32,0 kg	Royal Grey	07831D01R	8004815386207
F8os 400* Deep Black	400 cm	388 cm	250 cm	9,7 m <sup>2</sup>	34,0 kg	Royal Grey	07831E01R	8004815386689
F8os 425* Deep Black	425 cm	412 cm	250 cm	10,3 m <sup>2</sup>	35,0 kg	Royal Grey	07831F01R	8004815386696
F8os 450* Deep Black	450 cm	431 cm	250 cm	10,8 m <sup>2</sup>	36,5 kg	Royal Grey	07831G01R	8004815386702



Maximum recommended height for fixing the awning envisaging the use of legs on the ground. Over this height, use the wall attachments.

Awning	h MAX
F8os 290	2,4 m
F8os 320-340	2,8 m
F8os 370-400-425-450	3,4 m

\* 1 aluminium Rafter included.

## + ACCESSORIES

- Motor Kit Compact/Plus
- Privacy Room / P. R. Light
- Privacy Ultra Light
- Blocker / Pro
- Sun View XL
- Shade Sun View
- Side W Pro / Shade
- Sun View Side
- Patio-Mat
- Rafter / Pro
- Magicrafter / Pro
- Kit Awning Pegs / Plate
- Kit Awning Hangers
- Tie Down / S
- Kit Rain Guard
- Awning Arms Led
- Kit Awning LED
- Kit Led Strip Awning



Installation





# F65L

## GENERAL INFORMATION

- Length: 400-490cm
- Extension: 250cm
- Canopy length: 380-470cm

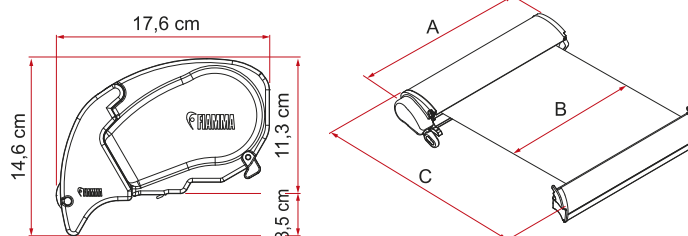


### CASE FINISHES:

- Polar White
- Titanium
- Deep Black

### CANOPY FINISHES:

- Royal Grey
- Royal Blue



## TECHNICAL FEATURES

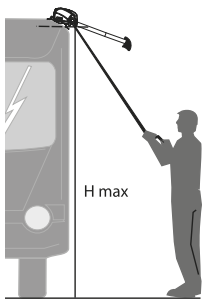
- Compact lead bar and functional design: the modern design is in tune with automotive trends while also enhancing resistance
- Roller support: canopy always tight
- LED: front-mounted guide for the optional full-length LED lighting kit, as well as the possibility to add LED also on the arms and on the Rafter (p. 252)
- Reinforced cover box: the double-wall reinforcement profile guarantees high resistance to the lateral torsion to which the awning is subjected
- The awning is provided without brackets, simply choose the most suitable one for your vehicle. More than 40 different kits to choose from
- Double Guide: double guide on the lead bar ( $\varnothing$  7mm) allowing the installation of two front panels or other accessories

## ADVANTAGES

- Winch opening and closing. Operation by handle. Electric motor optional
- Installation brackets optionally available
- Highly resistant and reliable

## + ACCESSORIES

- |  |                    |                      |   |
|--|--------------------|----------------------|---|
| • Motor Kit F65L   | • Shade Sun View   | • Magicrafter Pro    | • Awning Arms Led                             |
| • Privacy Room   | • Side W Pro       | • Kit Awning Pegs    | • Kit Awning LED                              |
| • Privacy Room Ultra Light<br>(for awnings from 400 to<br>450cm) | • Side W Pro Shade | • Kit Awning Plate   | • Kit LED Strip Awning                        |
| • Blocker Pro  | • Sun View Side    | • Kit Awning Hangers | • Rafter LED                                  |
| • Blocker (only for 400 cm<br>awning)                            | • Patio-Mat        | • Tie Down           | • Kit Led Strip Awning                        |
| • Sun View XL  | • Rafter           | • Tie Down S         | • Fixing Kit Rafter Led Item<br>No. 98655-877 |
|  | • Rafter Pro       | • Kit Repair Plus    |   |
|  | • Magicrafter      | • Kit Rain Guard     |   |



Maximum recommended height for fixing the awning envisaging the use of legs on the ground. Over this height, use the wall attachments.

Awning	h MAX
F65L 400	3,4 m
F65L 450	3,4 m
F65L 490	3,4 m

Description	Awning length A	Canopy length B	Extension C	Shade surface	Weight	Fabric colours	Item No.	EAN Code
F65L 400 Polar White	400 cm	380 cm	250 cm	9,5 m <sup>2</sup>	36,0 kg	Royal Grey	07715Co1R	8004815366100
						Royal Blue	07715Co1Q	8004815366131
F65L 450 Polar White	450 cm	430 cm	250 cm	10,8 m <sup>2</sup>	41,0 kg	Royal Grey	07715Do1R	8004815366117
						Royal Blue	07715Do1Q	8004815366148
F65L 490 Polar White	490 cm	470 cm	250 cm	11,8 m <sup>2</sup>	44,5 kg	Royal Grey	07715Eo1R	8004815366124
						Royal Blue	07715Eo1Q	8004815366155
F65L 400 Titanium	400 cm	380 cm	250 cm	9,5 m <sup>2</sup>	36,0 kg	Royal Grey	07716Co1R	8004815366162
						Royal Blue	07716Co1Q	8004815366193
F65L 450 Titanium	450 cm	430 cm	250 cm	10,8 m <sup>2</sup>	41,0 kg	Royal Grey	07716Do1R	8004815366179
						Royal Blue	07716Do1Q	8004815366209
F65L 490 Titanium	490 cm	470 cm	250 cm	11,8 m <sup>2</sup>	44,5 kg	Royal Grey	07716Eo1R	8004815366216
						Royal Blue	07716Eo1Q	8004815366223
F65L 400 Deep Black	400 cm	380 cm	250 cm	9,5 m <sup>2</sup>	36,0 kg	Royal Grey	07717Co1R	8004815366230
						Royal Blue	07717Co1Q	8004815366247
F65L 450 Deep Black	450 cm	430 cm	250 cm	10,8 m <sup>2</sup>	41,0 kg	Royal Grey	07717Do1R	8004815366254
						Royal Blue	07717Do1Q	8004815366261
F65L 490 Deep Black	490 cm	470 cm	250 cm	11,8 m <sup>2</sup>	44,5 kg	Royal Grey	07717Eo1R	8004815366278
						Royal Blue	07717Eo1Q	8004815366285

1 aluminium Rafter included.

COMPACT SECTION



NEW END CAPS



REINFORCED COVER BOX



Installation





# F65eagle

## GENERAL INFORMATION

- Length: 320-420cm
- Extension: 250cm
- Canopy length: 285-380cm

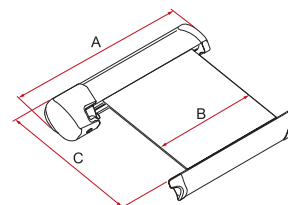
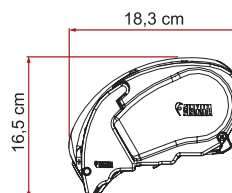


### CASE FINISHES:

- Polar White
- Titanium

### CANOPY FINISHES:

- Royal Grey



## TECHNICAL FEATURES

- Motor Kit: 12V electrical standard motorization allows electric opening and closing, manual operation is always possible in case of emergency
- Wall Control System for Motor Kit
- Reinforced cover box: the double-wall reinforcement profile guarantees high resistance to the lateral torsion to which the awning is subjected
- Compact lead bar and functional design: the modern design is in tune with automotive trends while also enhancing resistance
- Roller support: canopy always tight
- Double Block mounting: allows the angle of the awning to be adjusted from 5° to 17° and reinforces the structural arms, thus avoiding the use of ground poles
- LED: front-mounted guide for the optional full-length LED lighting kit, as well as the possibility to add LED also on the arms (p. 252)
- It mounts only on the Adapter. Optional installation brackets (Item No. 98655-776, 98655-936, 98655-768, 98655Z010)
- Wind Detection System: wind sensor that automatically activates the 12V motor and closes the awning in case of strong wind, avoiding possible damage

## ADVANTAGES

- 12V motorized legless awning (winch automated) equipped with wind sensor
- Ducato version is delivered as standard with dedicated adapter
- Self-supporting arms and inclination adjustment
- Equipped with electrical safety devices to prevent motor/circuit damage

## WIND-DETECTION SYSTEM



## + ACCESSORIES

- Patio Mat
- Kit Repair Plus
- Kit Rain Guard
- Awning Arms Led
- Kit Led Strip Awning
- Shade Sun View

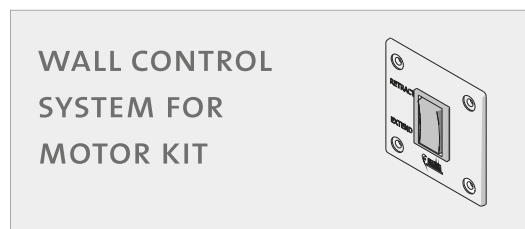


## F65eagle DUCATO



Special version of the awning F65eagle designed for installation on the roof of Fiat Ducato, Citroën Jumper and Peugeot Boxer van conversions.

F65eagle Ducato model is available for installation exclusively on Fiat Ducato, Citroën Jumper and Peugeot Boxer vehicles H2 after 2006, L2, L3 and L4 lengths. The awning comes complete with dedicated adapter for installation on the vehicle. Ducato version is delivered as standard with full length adapter.



Description	Awning length A	Canopy length B	Extension C	Shade surface	Weight	Fabric colours	Item No.	EAN Code
F65eagle 400 Polar White	420 cm	380 cm	250 cm	9,5 m <sup>2</sup>	37,5 kg	Royal Grey	07755Co1R	8004815368234
F65eagle 400 Titanium	420 cm	380 cm	250 cm	9,5 m <sup>2</sup>	37,5 kg	Royal Grey	07756Co1R	8004815368241
F65eagle Ducato 319 Polar White	320 cm	285 cm	250 cm	7,2 m <sup>2</sup>	30,0 kg	Royal Grey	07755Fo1R	8004815374259
F65eagle Ducato 369 Polar White	370 cm	335 cm	250 cm	8,3 m <sup>2</sup>	34,0 kg	Royal Grey	07755Go1R	8004815374242
F65eagle Ducato 399 Polar White	405 cm	369 cm	250 cm	9,2 m <sup>2</sup>	37,0 kg	Royal Grey	07755Ho1R	8004815374266

Important: verify if the motorhome or motorcaravan is suitable for the installation of the F65eagle.

The vehicle must be robust enough to support the weight and the tension of the open awning.

Fiamma refuses all responsibility for damages to the roofs or for water ingress due to incorrect installation or due to installations on weak roofs



Installation



Installation  
F65eagle Ducato







# F40van

## GENERAL INFORMATION

- Length: 270cm
- Extension: 225cm
- Canopy length: 257cm

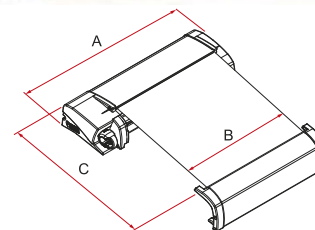
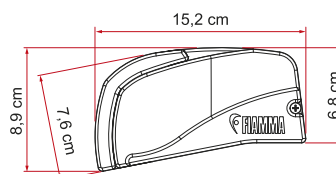


### CASE FINISHES:

 Deep Black

### CANOPY FINISHES:

 Royal Grey



## TECHNICAL FEATURES

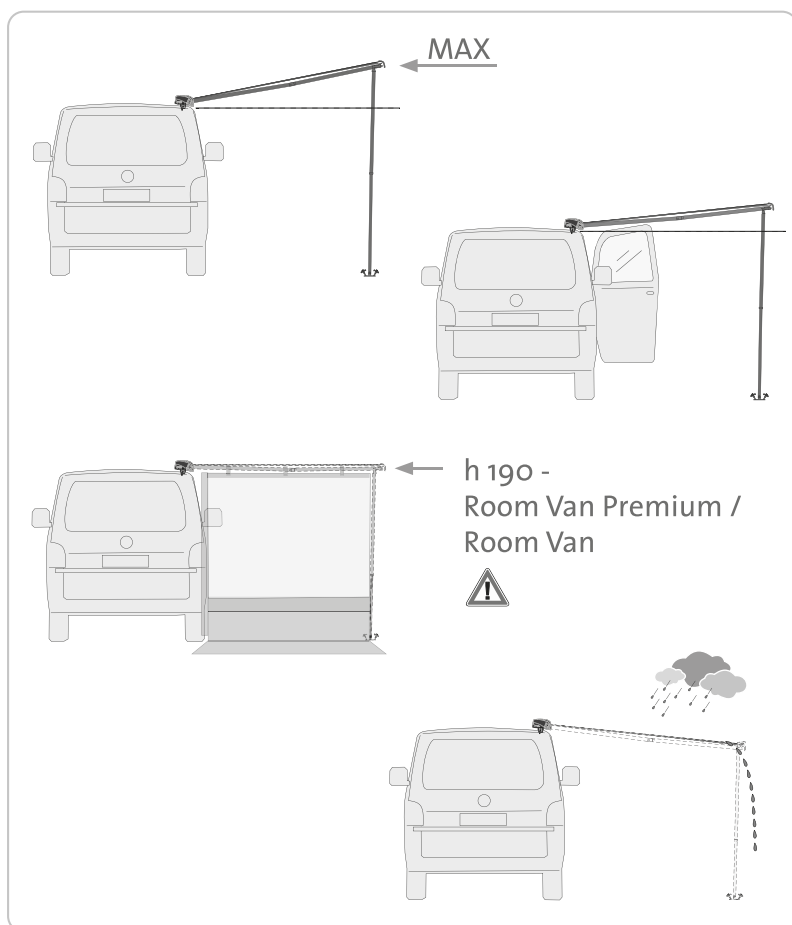
- Fast mounting: the roof brackets are easy and quick to install and uninstall
- Reinforced arms with reduced section (Arms Reverse System): the arm with “reverse” corner opening of -5° enables maximum use of the height under the awning (when the awning is opened the lead bar is higher than the case box) thus not hindering the side door opening/closing when the awning is opened. Legs with 4 holes to increase the downward inclination of the front panel and allow water to drain off in case of rain
- Automotive style finishing
- Compact and integrated: smaller case box version keeps dimensions to a minimum, so the awning remains compact and aerodynamic, thus allowing, in many situations, access to underground garages
- Flat legs: thanks to the predefined positions, it grants a quick and controlled opening
- Frontal guide: (ø 7mm) allows the installation of an extra front panel or other accessories

### ADVANTAGES

- Roof installation with optional roof-integrated brackets, super-compact, reduced projection
- Automotive style finishing
- Fabric always perfect thanks to the overhand motion unrolling

### Room Van Premium / Room Van:

the specific enclosure for this awning is, easy to install, no poles are required, it is connected to the awning lead bar and sides by integrated rails fixed to the arms. Inside frontal guide to install the Room Van



### + ACCESSORIES

- Room Van Premium
- Room Van
- Sun View XL 260
- Tie Down
- Patio-Mat
- Kit Repair Plus
- Kit Awning Pegs
- Kit Awning Plate
- Kit Awning Hangers
- Kit Rain Guard



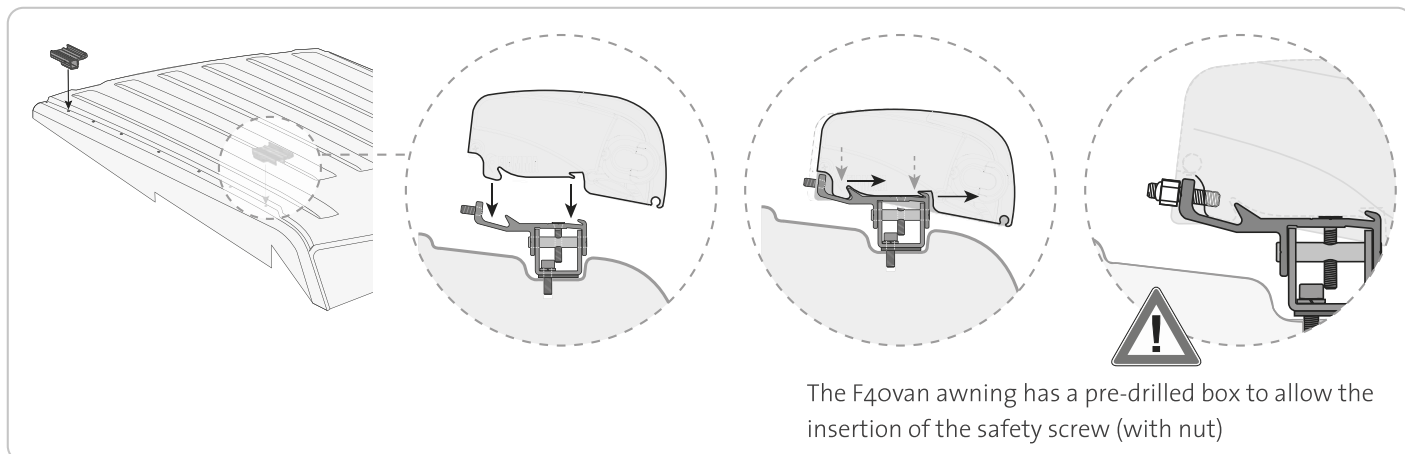


## INSTALLATION - FOR VW T5 AND T6 CAMPERVANS (SHORT WHEEL BASE)



Possibility of installation on VW T5 and T6 only standard roof variants (L1 H1). Not suitable for vehicles with pop roofs (including Volkswagen California). If the vehicle is equipped with C rail, it is necessary to remove it and locate the brackets on the set points. Installation kit (Kit VW T5/T6 for F40van, Item No. 98655Z030 for LHD/ 98655Z038 for RHD optional available, simplified installation without drilling, with roof-integrated brackets.

### ROOF-INTEGRATED BRACKETS (VW T5 / T6)



Type of vehicle and adapters								
Brand	Model	Same Vehicle	Height H	Length L	Year after ≥	Year before ≤	Information	Adapters F40
Ford	Custom	Transit Custom / Tourneo Custom	H1	L1	2012			98655Z044 98655Z046*
Ford	Custom	Transit Custom / Tourneo Custom	H1	L2	2012			98655Z045
Mercedes	V Class Vito III series - Long		H1	L2	2014		W447	98655Z078
Nissan	NV 350	Nissan Impendulo / Isuzu Como II series / Mitsubishi Fuso Canter Van	H1	L2	2012			98655Z041*
Renault	Trafic III series	Nissan NV 300 / Opel Vivaro / Vauxhall Vivaro / Fiat Talento	H1	L1	2014			98655Z087
Renault	Trafic III series	Nissan NV 300 / Opel Vivaro / Vauxhall Vivaro / Fiat Talento	H1	L2	2014			98655Z088
VW	Transporter T5	VW T5 Caravelle / VW T5 Multivan	H1	L1	2003	2014	WITHOUT "C" roof rail	98655Z030 98655Z038*
VW	Transporter T6	VW T6 Caravelle / VW T6 Multivan	H1	L1	2014		WITH "C" roof rail	98655Z030 98655Z038*

\* suitable for right hand drive

Description	Awning length A	Canopy length B	Extension C	Shade surface	Weight	Fabric colours	Item No.	EAN Code
F40van 270	270 cm	257 cm	225 cm	5,8 m <sup>2</sup>	19 kg	Royal Grey	07503H01R	8004815349141

Adapter kit optionally available



Installation





# CaravanStore / XL

## GENERAL INFORMATION

- Length: 270cm
- Extension: 225cm
- Canopy length: 257cm



### CASE FINISHES:

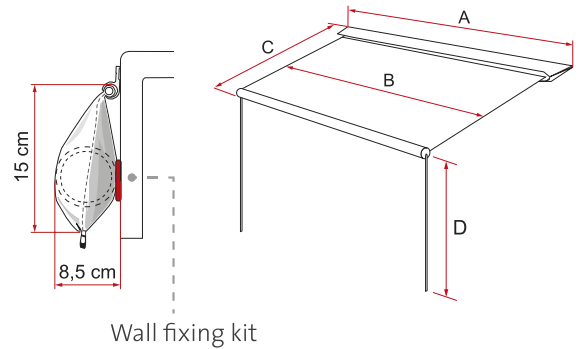
- Grey
- Black

### CANOPY FINISHES:

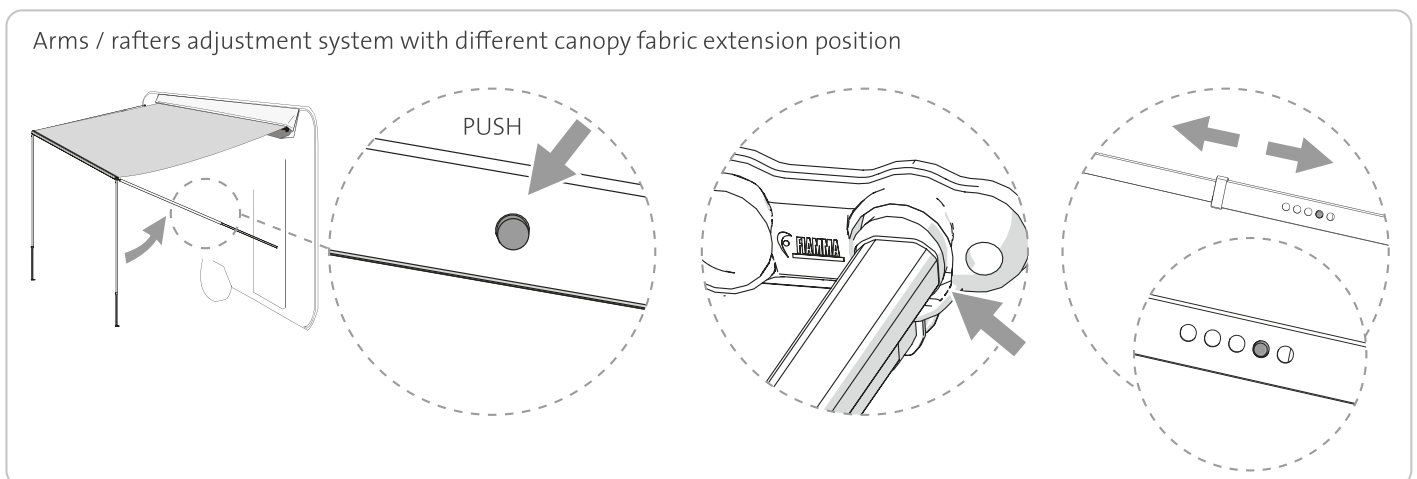
- Royal Grey
- Royal Blue

## TECHNICAL FEATURES

- Installation: into the vehicle rail
- Soft Bag: the awning is housed in a bag with anti-scratch tape, equipped with a comfortable and handy self-lubricating zipper.
- Integrated Legs: all legs are stored as standard inside the roller, easy to take out and install because they are hinged and telescopic
- Wall fixing kit: rubber kit to ensure protection of the vehicles side wall
- Roller tube: strengthened to accommodate the new XL extension. The system allows the fabric to be rolled in two directions, allowing the maximum ease of operation
- ZIP version with zippers on the canopy allowing a fast installation of Privacy CaravanStore ZIP XL (p.139)



## EASY REGULATION



### + ACCESSORIES

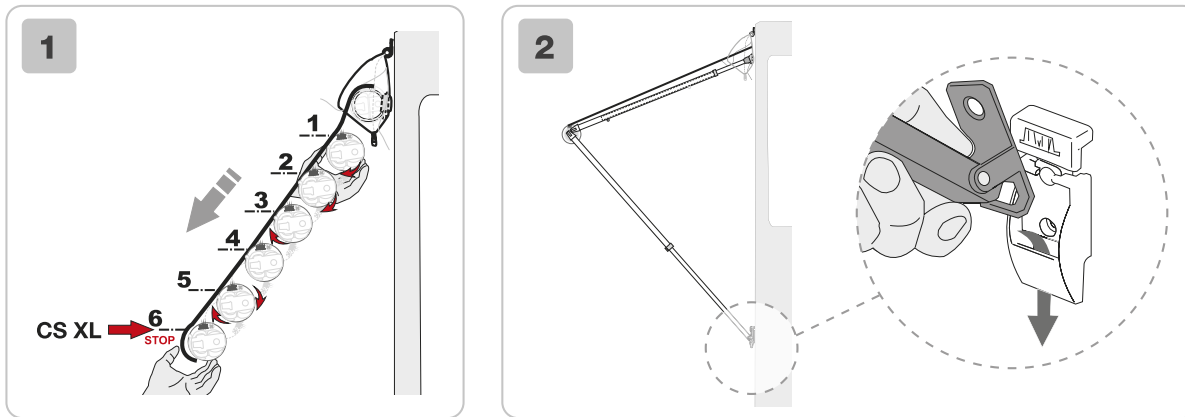
- |                         |                  |                            |                    |
|-------------------------|------------------|----------------------------|--------------------|
| • Privacy Room CS Light | • Shade Sun View | • Rafter CaravanStore / XL | • Kit Awning Plate |
| • Blocker               | • Sun View Side  | • Rafter Led Caravanstore  | • Kit Repair Plus  |
| • Blocker Pro           | • Side W Pro     | • Kit Awning Hangers       | • Tie Down S CS    |
| • Sun View XL           | • Side W CS      | • Kit Awning Pegs          | • Patio-Mat        |



## PARTIAL OPENING

Partial opening of the CaravanStore XL is possible from model sizes 360-550cm.

Attention! Partial opening of the awning can only be performed if the Wall Fixing Brackets have been mounted to the wall of the vehicle. Canopy must always be rolled from the top. Carry out the operation in two people.



Description	Awning length A	Canopy length B	Extension C	Max height from ground D	Shade surface	Weight	Fabric colours	Bag colour	Item No.	EAN Code
CStore 190	193 cm	162 cm	180 cm	195 cm 195 cm	2,9 m <sup>2</sup>	6,0 kg	Royal Grey	grey	06760-01R	8004815353803
							Royal Blue	grey	06760-01Q	8004815353797
CStore 225	235 cm	202 cm	225 cm	225 cm	4,5 m <sup>2</sup>	7,5 kg	Royal Grey	grey	06760A01R	8004815353902
							Royal Blue	grey	06760A01Q	8004815353896
CStore 255	264 cm	232 cm	225 cm	225 cm	5,2 m <sup>2</sup>	8,5 kg	Royal Grey	grey	06760B01R	8004815353919
							Royal Blue	grey	06760B01Q	8004815353926
CStore XL 280	286 cm	254 cm	250 cm	225 cm	6,4 m <sup>2</sup>	10,1 kg	Royal Grey	grey	07740C01R	8004815367725
							Royal Blue	grey	07740C01Q	8004815367718
CStore XL 310	316 cm	284 cm	250 cm	225 cm	7,1 m <sup>2</sup>	11,2 kg	Royal Grey	grey	07740D01R	8004815367749
							Royal Blue	grey	07740D01Q	8004815367732
CStore XL 360	366 cm	334 cm	250 cm	225 cm	8,4 m <sup>2</sup>	12,3 kg	Royal Grey	grey	07740E01R	8004815367763
							Royal Blue	grey	07740E01Q	8004815367756
CStore XL 410*	415 cm	384 cm	250 cm	225 cm	9,6 m <sup>2</sup>	13,5 kg	Royal Grey	grey	07740F01R	8004815367787
							Royal Blue	grey	07740F01Q	8004815367770
CStore XL 440**	448 cm	414 cm	250 cm	225 cm	10,4 m <sup>2</sup>	14,6 kg	Royal Grey	grey	07740G01R	8004815367800
							Royal Blue	grey	07740G01Q	8004815367794
CStore XL 500***	497 cm	465 cm	250 cm	225 cm	11,6 m <sup>2</sup>	15,8 kg	Royal Grey	grey	07740H01R	8004815367824
							Royal Blue	grey	07740H01Q	8004815367817
CStore XL 550***	547 cm	515 cm	250 cm	225 cm	12,9 m <sup>2</sup>	16,9 kg	Royal Grey	grey	07740L01R	8004815367848
							Royal Blue	grey	07740L01Q	8004815367831
CStore XL 310 Black	316 cm	284 cm	250 cm	225 cm	7,1 m <sup>2</sup>	11,2 kg	Royal Grey	black	07760D01R	8004815369088
CStore XL 360 Black	366 cm	334 cm	250 cm	225 cm	8,4 m <sup>2</sup>	12,3 kg	Royal Grey	black	07760E01R	8004815369040
CStore XL 410 Black*	415 cm	384 cm	250 cm	225 cm	9,6 m <sup>2</sup>	13,5 kg	Royal Grey	black	07760F01R	8004815369095

\* 1 tension Rafter CaravanStore included

\*\* 1 tension Rafter CaravanStore and 1 CaravanStore Support Leg included

\*\*\* 2 CaravanStore Support Leg included

CStore 190 - 225 - 255



Installation



# F35pro

## GENERAL INFORMATION

- Length: 270cm
- Extension: 225cm
- Canopy length: 257cm

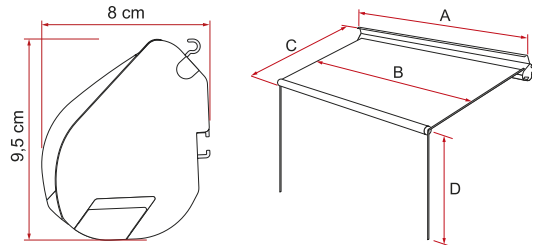


### CASE FINISHES:

- Titanium
- Deep Black

### CANOPY FINISHES:

- Royal Grey
- Royal Blue



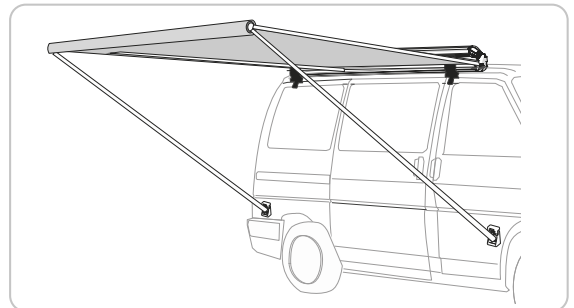
## TECHNICAL FEATURES

- **Hard Box:** super lightweight anodized aluminium case, Titanium or Deep Black finish
- **Legs In:** the legs are stored inside the roller tube and are easy to take out and install as they are hinged and telescopic
- **Roller Tube:** it enables the fabric to be rolled in two directions ensuring a maximum ease of operation
- **Easy Installation:** this awning can be installed with brackets that are fixed on the walls or on roof rails. The installation and the removal from the roof-rack is very quick thanks to the optional mounting kit which doesn't require drilling. The awning can also be slid into the caravan's rail without additional brackets, locking it with a safety screw

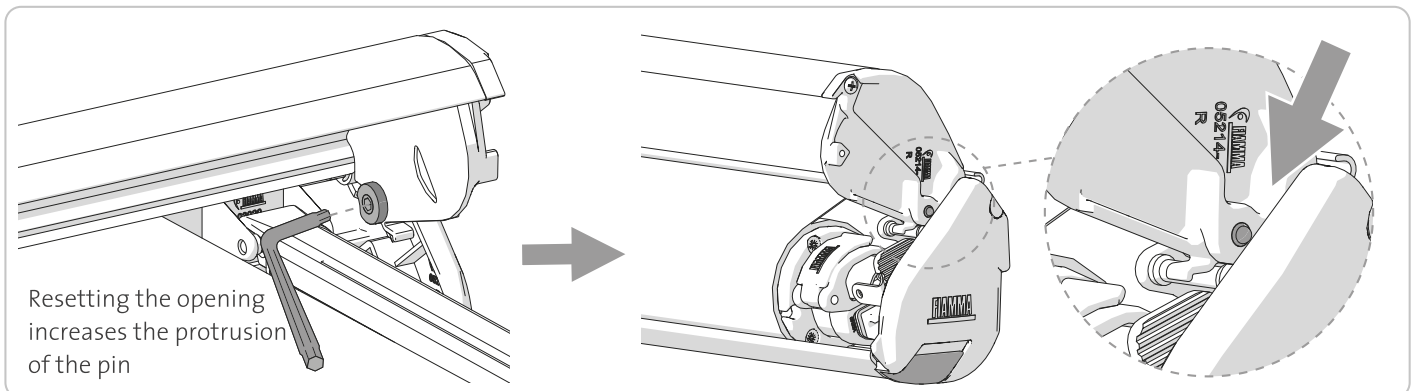
### ADVANTAGES

- Manual awning, lightweight and practical to use
- Installation to the wall, to the roof bars (roof installation) or, the awning can also be slid into the vehicle rail

### OPTIONAL FIXING



## RESET OPENING

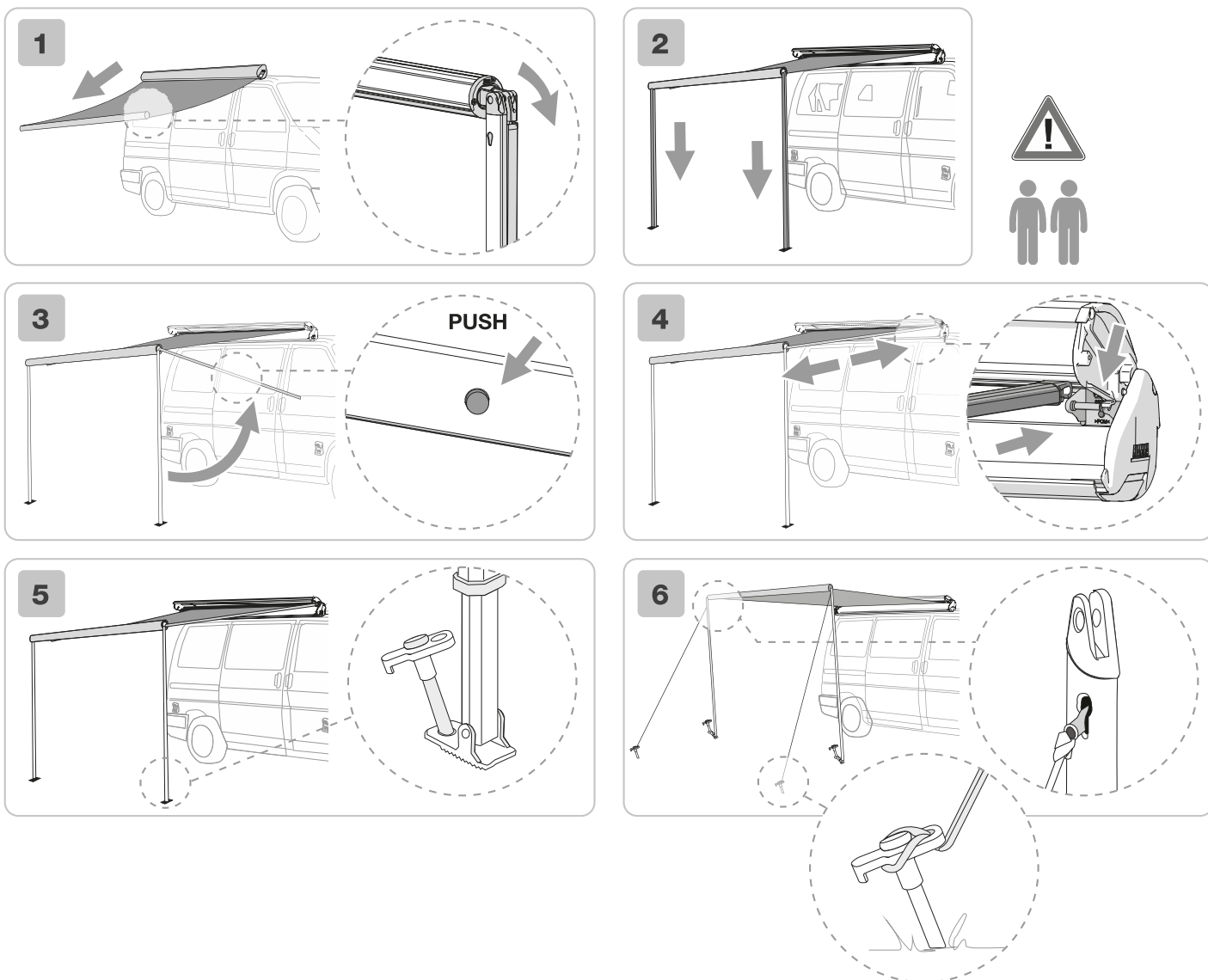


### + ACCESSORIES

- |                         |                  |                       |                    |
|-------------------------|------------------|-----------------------|--------------------|
| • Privacy Room CS Light | • Shade Sun View | • Patio-Mat           | • Kit Awning Pegs  |
| • Blocker Pro           | • Side W Pro     | • Rafter Caravanstore | • Kit Awning Plate |
| • Blocker               | • Side W CS/F35  | • Tie Down CS         | • Safety Strip     |
| • Sun View XL           | • Sun View Side  | • Kit Awning Hangers  | • Kit Repair Plus  |



## QUICK OPENING



Description	Awning length A	Canopy length B	Extension C	Max height from ground D	Shade surface	Weight	Fabric colours	Item No.	EAN Code
F35pro 180 Titanium	183 cm	162 cm	180 cm	195 cm	2,9 m <sup>2</sup>	8,5 kg	Royal Grey	06762-01R	8004815354336
							Royal Blue	06762-01Q	8004815354251
F35pro 220 Titanium	223 cm	202 cm	225 cm	225 cm	4,5 m <sup>2</sup>	10,5 kg	Royal Grey	06762A01R	8004815354268
							Royal Blue	06762A01Q	8004815354343
F35pro 250 Titanium	253 cm	232 cm	225 cm	225 cm	5,2 m <sup>2</sup>	11,5 kg	Royal Grey	06762B01R	8004815354350
							Royal Blue	06762B01Q	8004815354275
F35pro 270 Titanium	273 cm	254 cm	225 cm	225 cm	5,7 m <sup>2</sup>	13,0 kg	Royal Grey	06762C01R	8004815354367
							Royal Blue	06762C01Q	8004815350499
F35pro 300 Titanium	303 cm	288 cm	225 cm	235 cm	6,4 m <sup>2</sup>	14,0 kg	Royal Grey	06762D01R	8004815350505
							Royal Blue	06762D01Q	8004815354282
F35pro 250 Deep Black	253 cm	232 cm	225 cm	225 cm	5,2 m <sup>2</sup>	11,5 kg	Royal Grey	06458B01R	8004815350925
F35pro 270 Deep Black	273 cm	254 cm	225 cm	225 cm	5,7 m <sup>2</sup>	13,0 kg	Royal Blue	06458C01R	8004815354640



Installation





# Compass

## GENERAL INFORMATION

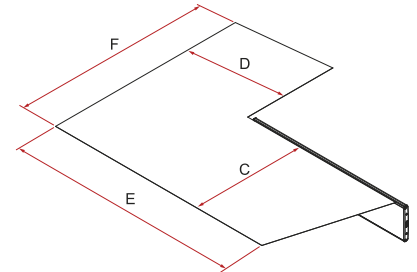
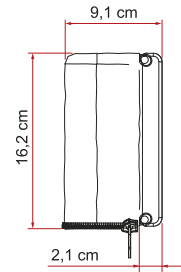
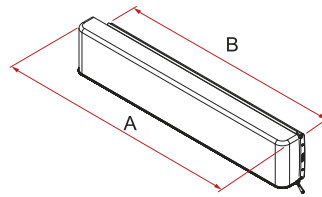
- Length: 270cm
- Extension: 225cm
- Canopy length: 257cm

### CASE FINISHES:

- Silver
- Black

### CANOPY FINISHES:

- Light grey



## TECHNICAL FEATURES

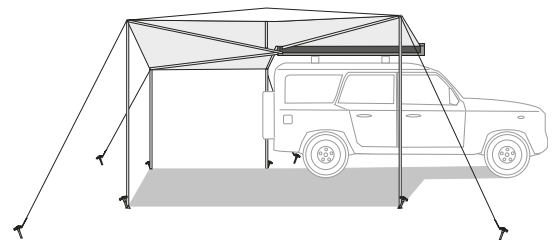
- Compass opening: circular manual opening at 270° ensures a shaded area on both the lateral part and rear
- Vertical support: canopy always tight
- Soft Bag: External bag of high quality fabric (polyester for Black version and PVC for Silver one), super-resistant and anti-UV with zipper closure
- Canopy: the canopy is separable from the bag through a zipper, facilitating replacement if necessary. Light grey polyester canopy, maximum durability, waterproof, resistant to dirt and wrinkle-free
- Resistant to torsion: the sturdy support aluminium structure on the back side of the bag ensures maximum resistance to torsional stress and allows the specific installation brackets to be used
- Legs integrated: legs must not be dismantled to insert the awning into the bag. Short opening and closing times

## ADVANTAGES

- Awning with manual opening and closing
- Large shaded area, twice as large as traditional opening awnings

## A SINGLE PERSON IS ABLE TO OPEN AND CLOSE THE AWNING AUTONOMOUSLY

The awning is manually operated. The arms with integrated legs, lightness of the structure and fabric make the opening and closing of the awning simple and fast. It can be done even by one person.



## + ACCESSORIES

- Patio-Mat
- Kit Awning Pegs
- Kit Repair Plus
- Kit Awning Plate

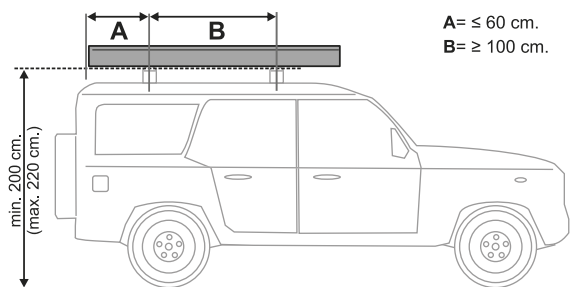


**ATTENTION**



When the awning is fully open, for reasons of safety, it only allows partial opening of the rear door. (if the rear door is hinged at the top).

Awning only available for left-hand drive mounting.



Description	Length A bag	Support length B	Lateral extension C	Rear extension D	Canopy length E	Canopy length F	Min. height from ground	Shade surface	Weight	Item No.	EAN Code
Compass 220 Silver	220 cm	214 cm	148 cm	145 cm	300 cm	336 cm	200 cm	7,2 m <sup>2</sup>	16,5 kg	07260A01J	8004815335922
Compass 260 Silver	260 cm	254 cm	176 cm	173 cm	358 cm	370 cm		9,9 m <sup>2</sup>	19,5 kg	07260B01J	8004815335939
Compass 220 Black	220 cm	214 cm	148 cm	145 cm	300 cm	336 cm		7,2 m <sup>2</sup>	16,5 kg	07261A01J	8004815335946
Compass 260 Black	260 cm	254 cm	176 cm	173 cm	358 cm	370 cm		9,9 m <sup>2</sup>	19,5 kg	07261B01J	8004815335953

Installation adapter optionally available  
Bag: Silver or Black - Canopy: Light Grey

Installation

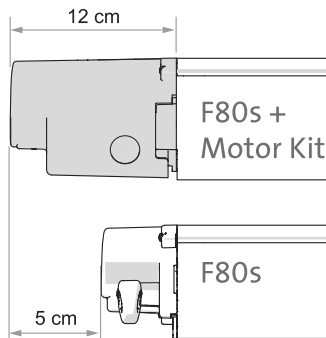




# Motor Kit F80s

## GENERAL INFORMATION

- 12V
- Compact, Plus and Advanced versions
- Weight: 1,9 -2kg
- Crank handle delivered as standard for manual emergency opening
- Noise level: < 57dB\*
- Standard protection fuse from: 4A (to prevent damage to the motor/circuit)
- Suitable for F80s awning of any length



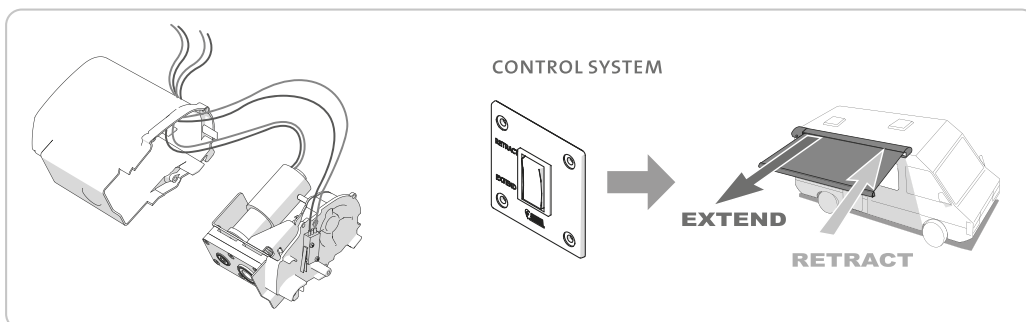
### COLOURS:

- Polar White
- Titanium
- Deep Black

\*measurement made at a distance of 1 meter

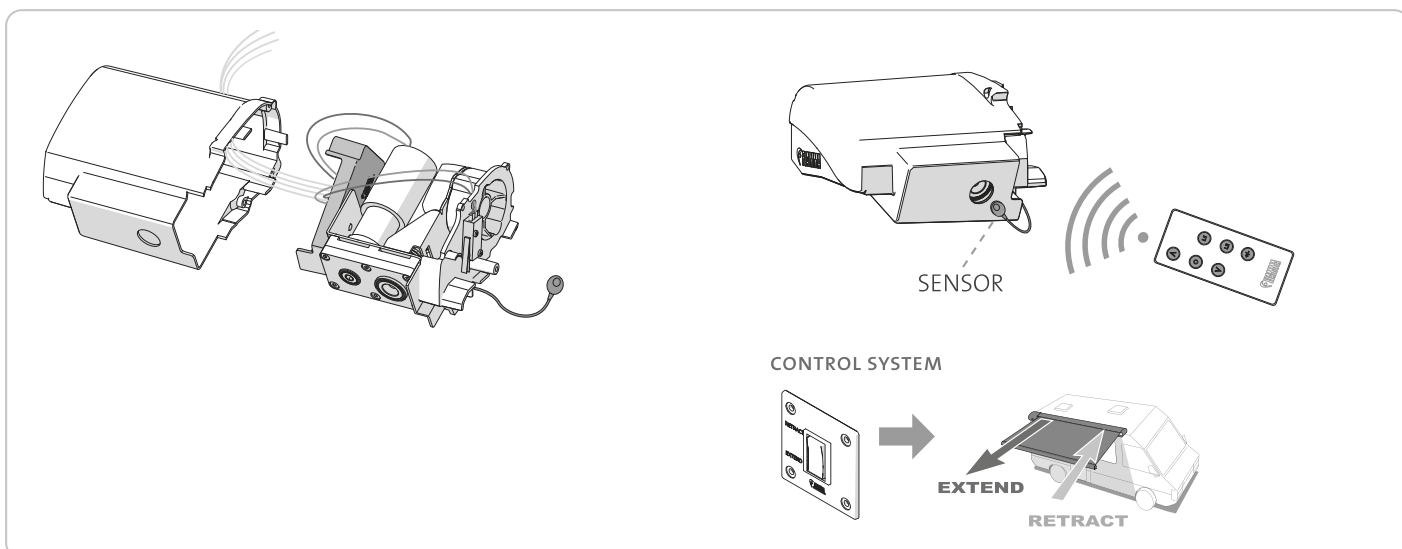
## MOTOR KIT COMPACT

Complete with wall control panel Control System, which allows you to conveniently operate the motor.



## MOTOR KIT PLUS

Equipped with infrared remote control and wall control of the Motor kit. The control unit allows the self-tensioning of the canopy on opening and the opening and closing operations also with the “one touch” automotive system.





### MOTOR KIT ADVANCED

Thanks to the practical Fiamma App (for Android or iOS systems), it is possible to manage the F8os awning from your own device: opening and closing the awning, LED control (on/off/dimming) and Control System wall control.

**CONTROL SYSTEM**

**EXTEND**

**RETRACT**

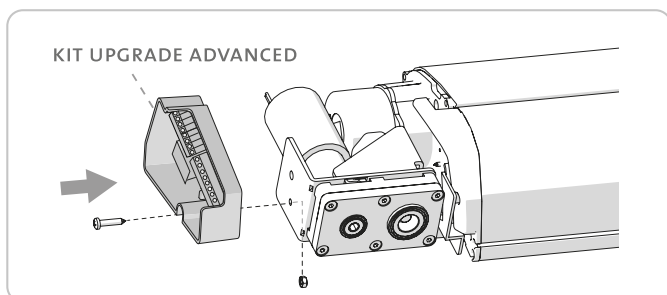
#### MANAGEMENT WITH FIAMMA APP

awning opening/closing

LED light management

### KIT UPGRADE ADVANCED

Also available the Upgrade kit for Motor Kit Plus for conversion into Motor Kit Advanced.



Description	Colour	Weight	Item No.	EAN Code
Motor Kit Compact F8os	Polar White	1,9 kg	07929-01-	8004815382216
	Titanium		07929-01T	8004815382223
	Deep Black		07929-01H	8004815382230
Motor Kit Plus F8os	Polar White	2,0 kg	07929-02-	8004815389857
	Titanium		07929-02T	8004815389864
	Deep Black		07929-02H	8004815389871
Motor Kit Advanced F8os	Polar White	2,0 kg	08320-01-	8004815411916
	Titanium		08320-01T	8004815411923
	Deep Black		08320-01H	8004815411930
Kit Upgrade Advanced F8os	-	0,1 kg	98655Z111	8004815411978

Installation  
Motor Kit Compact



Installation  
Motor Kit Plus



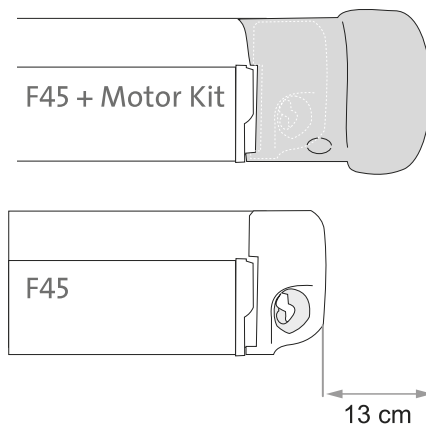
Installation  
Motor Kit Advanced





# Motor Kit F45s - F45L

## GENERAL INFORMATION

- 12V
- Available for F45s - F45L
- Weight: 2,6 kg
- Crank handle delivered as standard for manual emergency opening
- Noise level: < 57dB\*
- Standard protection fuse from: 5A (to prevent damage to the motor/circuit)
- Suitable for F45s / F45L awnings of any length

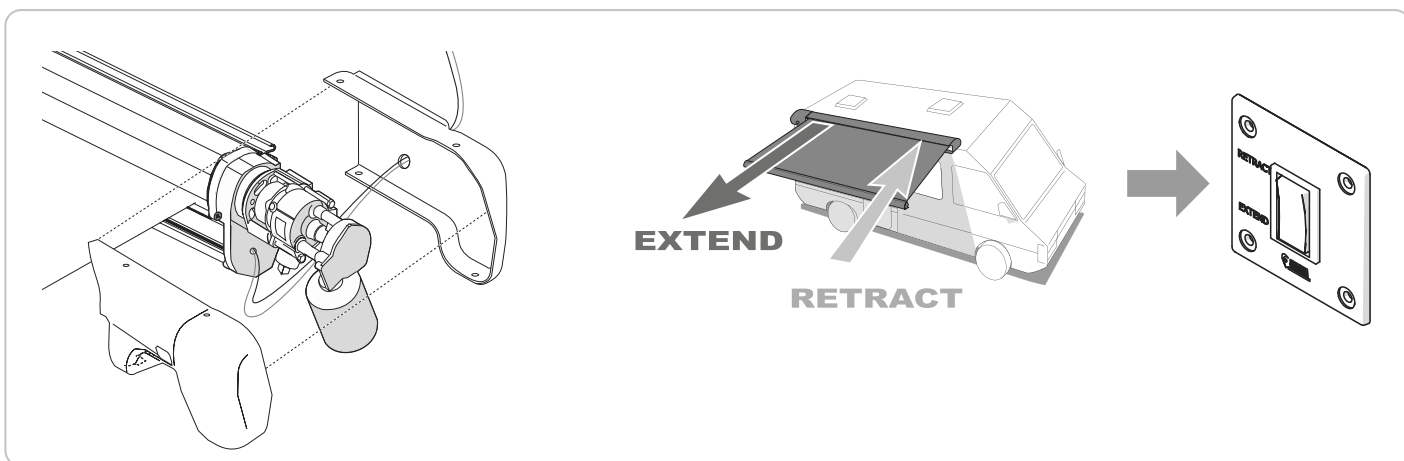


### COLOURS:

-  Polar White
-  Titanium

\*measurement made at a distance of 1 meter

## MOTOR KIT F45



Description	Colour	Weight	Item No.	EAN Code
Motor Kit F45s	Polar White	2,6 kg	06275-01-	8004815281243
	Titanium		06275-01T	8004815281250
	Deep Black		06275-01H	8004815342029
Motor Kit F45L	Polar White	2,6 kg	06535-01-	8004815294939
	Titanium		06535-01T	8004815294946

The Motor Kit is not suitable for Fiamma ZIP awnings

Installation  
Motor Kit F45s



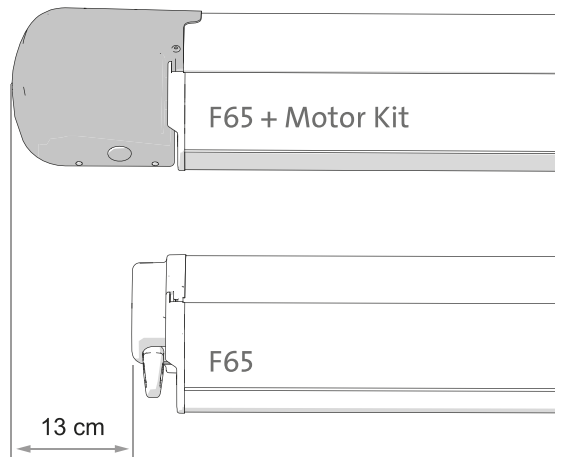
Installation  
Motor Kit F45L



# Motor Kit F65s - F65L

## GENERAL INFORMATION

- 12V
- Available for F65s - F65L
- Weight: 2,6 kg
- Crank handle delivered as standard for manual emergency opening
- Noise level: < 57dB\*
- Standard protection fuse from: 5A (F65s) - 6,3A (F65L) to prevent damage to the motor/circuit
- Suitable for F65s / F65L awnings of any length

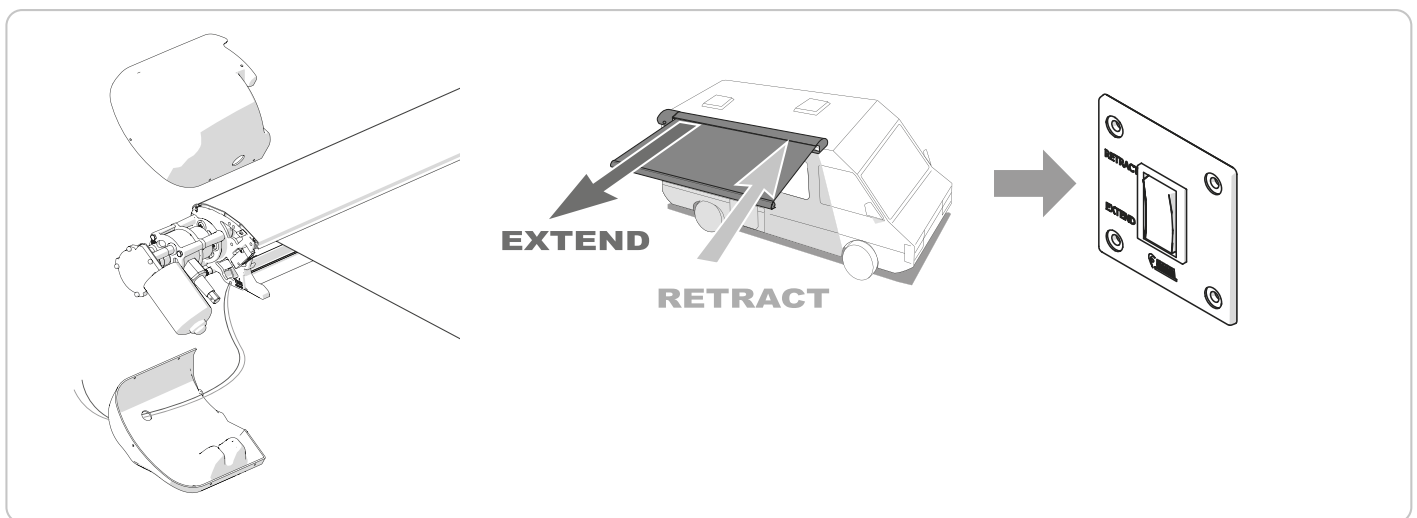


**COLOURS:**

- Polar White
- Titanium
- Deep Black

\*measurement made at a distance of 1 meter

## MOTOR KIT F65



Description	Colour	Weight	Item No.	EAN Code
Motor Kit F65s	Polar White	2,6 kg	06536-01-	8004815294953
	Titanium		06536-01T	8004815294960
Motor Kit F65L > 2018	Polar White	2,6 kg	07779-01-	8004815372507
	Titanium		07779-01T	8004815372521
	Deep Black		07779-01H	8004815372514
Motor Kit F65L < 2018	Polar White	2,6 kg	05725-01-	8004815244828
	Titanium		05725-01T	8004815244835

The Motor Kit is not suitable for Fiamma ZIP awnings

Installation  
Motor Kit F65s



Installation  
Motor Kit F65L



### RAFTER



Delivered as standard on F45

### RAFTER F70



### RAFTER CARAVANSTORE / XL



Delivered as standard on:

CS XL 410 and 440cm

CS ZIP 440cm

Side, Side W and Side W Pro CS / XL

### RAFTER PRO



### RAFTER LED



### RAFTER LED CARAVANSTORE



### CARAVANSTORE SUPPORT LEG



Description	Length	F45s	F45L	F65s	F65L	F70	F80	F35pro	CS/XL
Rafter F45 / F80 / F65	145-250 cm	•	•	•	•		•		
Rafter F70	145-250 cm					•			
Rafter Pro	145-250 cm	•	•	•	•		•		
Rafter CaravanStore / XL	150-250 cm							•	•
Rafter Led	145-250 cm	•	•	•*	•*	•			
Rafter Led CaravanStore	150-250 cm								•
CaravanStore Support Leg	150-250 cm								•

• Suitable for  
\*to be used with Kit 98655-877

Description	Weight	Item No.	EAN Code
Rafter F45 / F80 / F65	0,8 kg	98655A007	8004815386320
Rafter F70	0,8 kg	98655A005	8004815382780
Rafter Pro	0,8 kg	98655A002	8004815346386
Rafter CaravanStore / XL	0,6 kg	03888-02-	8004815242749
Rafter Led	1,6 kg	98655-850	8004815268671
Rafter Led CaravanStore	1,4 kg	98655-902	8004815292164
CaravanStore Support Leg	1,7 kg	03732C01-	8004815180485

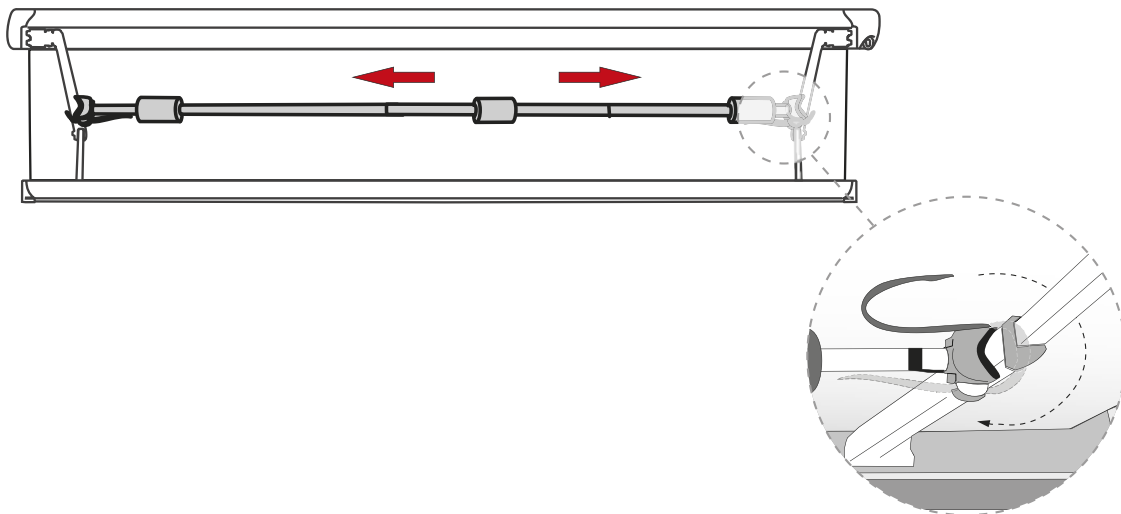
Installation  
LED for Tension Rafter



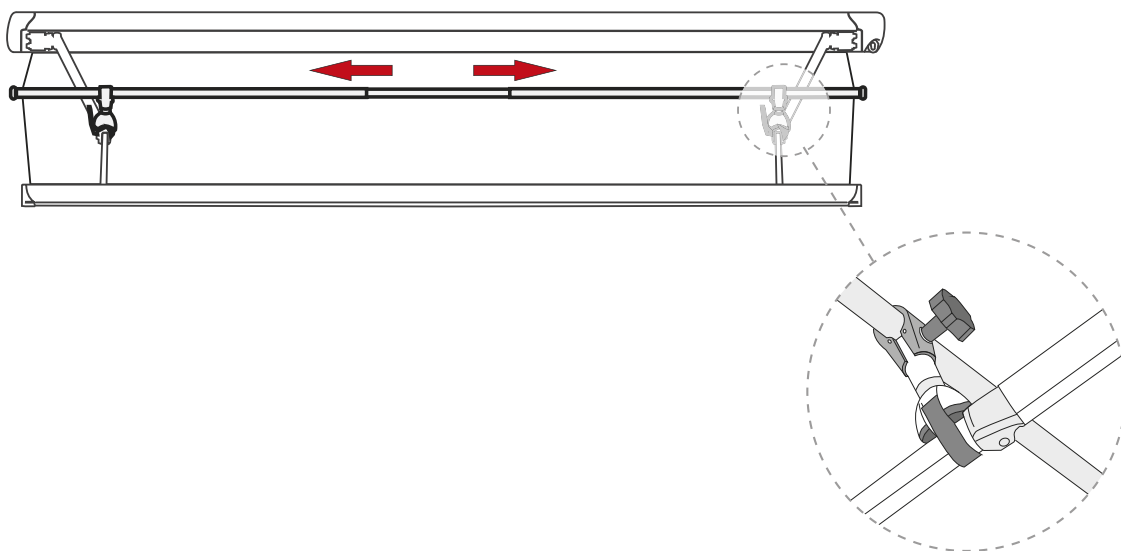
Installation  
Tensioner



**MAGICRAFTER**



**MAGICRAFTER PRO**



Description	Awning length	F45s	F45L	F65s	F65L	F70	F80	F35pro	CS/XL
Magicrafter	250-400 cm	•		•	•	•	•		
Magicrafter Pro	350-450 cm	•	•	•	•	•	•		

• Suitable for

Description	Weight	Item No.	EAN Code
Magicrafter	0,8 kg	98655-716	8004815202682
Magicrafter Pro	0,8 kg	98655-847	8004815268688

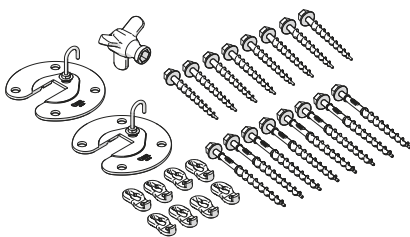
Installation  
Magicrafter



Installation  
Magicrafter Pro

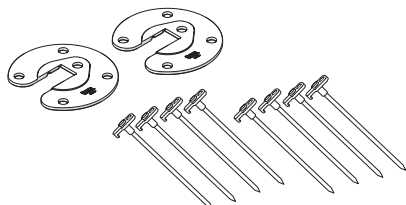


**KIT AWNING PEGS**



- 8x Awning Peg stakes, 20cm long
- 8x Awning Peg S stakes 14cm long
- 8x hooks
- 1x handle
- 2x Awning Plates
- 1x comfortable and resistant bag with zip fastener
- 2x steel hooks

**KIT AWNING PLATE**

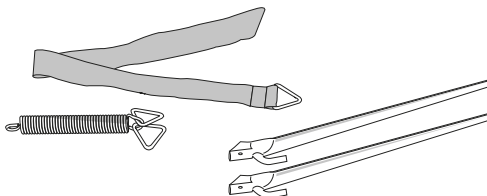


- 8x Ground pegs
- 2x Awning Plates
- Colour: grey
- Dimensions: 20x20cm
- Kit includes 2 pieces

Description	Weight	Item No.	EAN Code	Fiamma	Thule / Omnistor	Dometic
Kit Awning Pegs	0,6 kg	98655-880	8004815280970	•		
Kit Awning Plate	0,3 kg	98655-724	8004815205270	•	•	•

• Suitable for

**TIE DOWN**

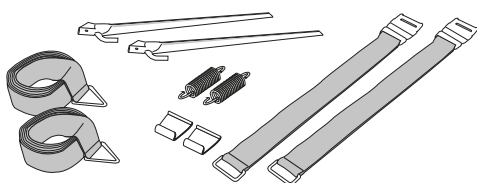


- 1x adjustable band (11m), in black or yellow
- 2x stakes
- 1x tension spring

F45s	F45L	F65s	F65L	F40 van	F70	F80	F35pro	CS/XL
•	•	•	•	•	•	•		

• Suitable for

**TIE DOWN S**



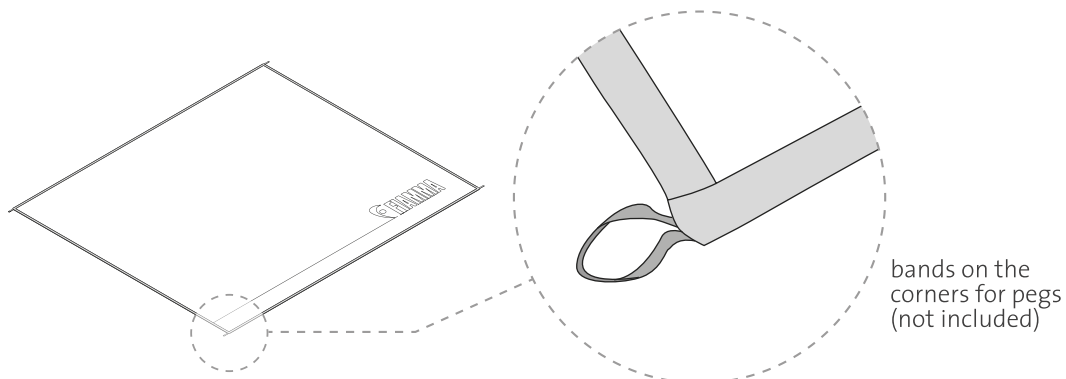
- 2x adjustable bands (300 cm), in black or yellow
- 2x stakes and 2 tension springs
- 2x frontal hooks (for F45, F80, F65 with double guide on the lead bar or CaravanStore/F35)

F45s	F45L	F65s	F65L	F40 van	F70	F80	F35pro	CS/XL
•	•	•	•			•	•	•

• Suitable for

Description	Colour	Weight	Item No.	EAN Code
Tie Down Yellow	yellow	1,2 kg	98655-128	8004815148171
Tie Down Black	black	1,2 kg	98655-129	8004815148188
Tie Down S Yellow	yellow	1,2 kg	98655-567	8004815294496
Tie Down S Black	black	1,2 kg	98655-133	8004815250300
Tie Down S CaravanStore Black	black	1,2 kg	98655-638	8004815311735

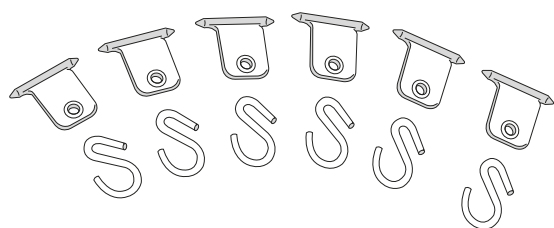
**PATIO MAT**



Description	Dimensions	Awning length	Surface	Weight	Item No.	EAN Code
Patio-Mat 290	2,9 x 2,5 m	300-310	7,25 m <sup>2</sup>	3,2 kg	07681-01-	8004815365219
Patio-Mat 340	3,4 x 2,5 m	350-360	8,50 m <sup>2</sup>	3,5 kg	07682-01-	8004815365226
Patio-Mat 390	3,9 x 2,5 m	400-410	9,75 m <sup>2</sup>	3,8 kg	07683-01-	8004815365233
Patio-Mat 440	4,4 x 2,5 m	440-450	11,25 m <sup>2</sup>	4,2 kg	07684-01-	8004815365240
Patio-Mat 490	4,9 x 2,5 m	490-500	12,25 m <sup>2</sup>	4,6 kg	07701-01-	8004815365141
Patio-Bag*	90 x 35 x 16 cm	-	-	0,2 kg	08206-01-	8004815404000

\*Available as optional

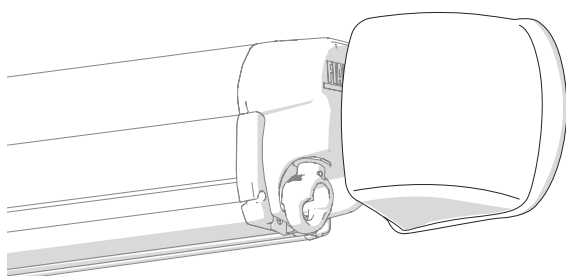
**KIT AWNING HANGERS**



- 6x front hooks
  - 6x metal hooks
- Also suitable for awnings of other brands with  $\varnothing$  7 mm slots.

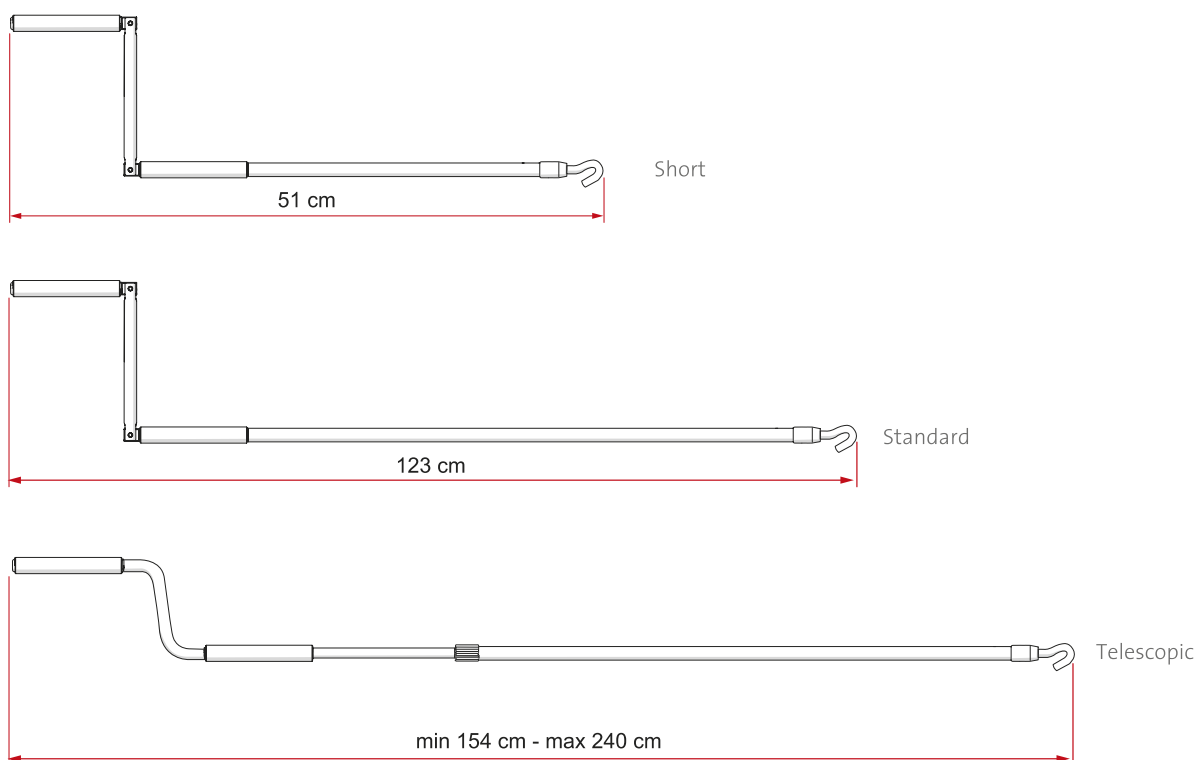
Description	Weight	Item No.	EAN Code
Kit Awning Hangers	0,8 kg	98655-743	8004815220174

**SPOILER S**



Description	Dimensions	Weight	Item No.	EAN Code
Spoiler S	16 x 15,5 cm	0,1 kg	05150-01A	8004815190705

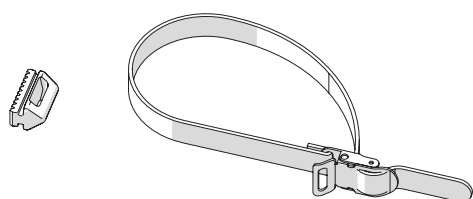
### CRANK HANDLE



Description	Weight	Item No.	EAN Code	F45s VW T5/T6	F45s PSA	F45s	F45L	F70	F40van	F65L	F80
Crank Handle Short	0,3 kg	01756B01A	8004815015114	•	•				•		
Crank Handle Standard	0,4 kg	04660-01-	8004815161330			•					
Crank Handle Telescopic	0,7 kg	03878C01-	8004815223441				•	•		•	•

• Standard / Suitable for

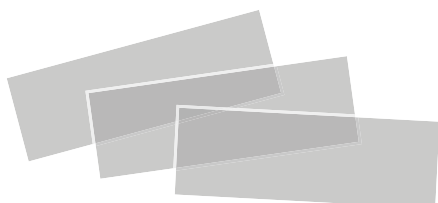
### SAFETY STRIP



- For awning F35pro
- For greater safety when closing the front panel, particularly suitable for longer awning sizes

Description	Length	Weight	Item No.	EAN Code
Safety Strip	39 cm	0,1 kg	98655Z006	8004815330040

### KIT REPAIR PLUS

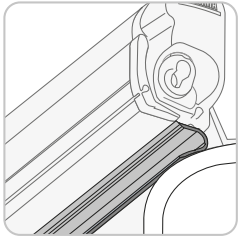


- 3x transparent PVC strips
- For a DIY repair if the fabric awning gets cut

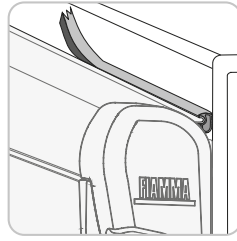
Description	Dimensions	Weight	Item No.	EAN Code
Kit Repair Plus	8x15 cm	0,1 kg	98655-466	8004815168209



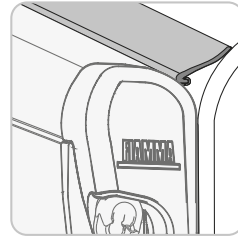
**RAIN GUARD LOWER**



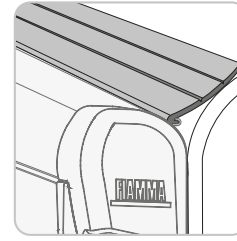
**RAIN GUARD S**



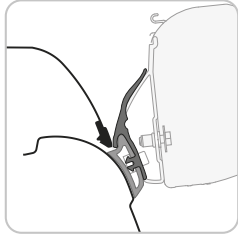
**RAIN GUARD M**



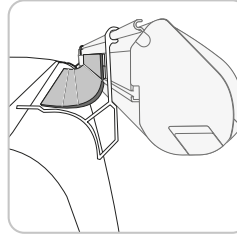
**RAIN GUARD L**



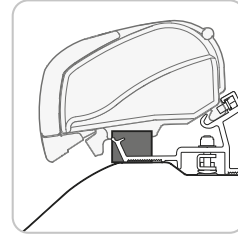
**KIT RAIN GUARD CALIFORNIA**



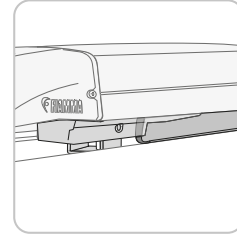
**KIT RAIN GUARD VAN**



**KIT RAIN GUARD F80/F65\***



**KIT RAIN GUARD F40 VAN\***



\*Carefully clean and degrease the seat before applying the gasket



Description	Rail length	Weight	Item No.	EAN Code	In combination with bracket kit:	Available for
Rain Guard Lower	sold by meter	0,35 kg/m	06299-01-	8004815282998		F45s/L - F70 with suspended installation spaced from the wall
Kit Rain Guard Lower 550	550 cm	1,9 kg	98655Z017	8004815346287		
Rain Guard S	sold by meter	0,25 kg/m	03910-01-	8004815076566		For any awnings of any years installed with standard AS 120 brackets on flat walls
Kit Rain Guard S 550	550 cm	0,8 kg	98655Z014	8004815346256		
Rain Guard M	sold by meter	0,25 kg/m	03477-01-	8004815041250		For any awnings of any years, mounted with adapter spaced out from the wall (up to 4cm) or on curved walls
Kit Rain Guard M 550	550 cm	1,4 kg	98655Z015	8004815346263		
Rain Guard L	sold by meter	0,30 kg/m	04629-01-	8004815160142		For any awnings of any years, mounted with adapter spaced out from the wall (up to 9cm) or on curved walls
Kit Rain Guard L 550	550 cm	3,1 kg	98655Z016	8004815346270		
Kit Rain Guard California	200 cm	0,70 kg	98655-663	8004815319304		F45s - F35Pro on VW California
Kit Rain Guard Van	300 cm	0,80 kg	98655-947	8004815323158		F45s - F35Pro installed on camper vans spaced out from the wall
Kit Rain Guard F80/F65	450 cm	1,10 kg	98655-020	8004815256593		F80s - F65s - F65L
Kit Rain Guard F80/F65 50	50 cm	0,10 kg	98655Z019	8004815347925		
Kit Rain Guard F40van*	2x100 cm	0,80 kg	98655Z039	8004815367169	98655Z030 98655Z038* 98655Z041*	F40van
Kit Rain Guard F40van Ford Custom L1	2x100 cm	0,80 kg	98655Z052	8004815388898	98655Z044	F40van - Ford Custom L1
Kit Rain Guard F40van Ford Custom L1 *	2x100 cm	0,80 kg	98655Z047	8004815382773	98655Z046	F40van - Ford Custom L1 *
Kit Rain Guard F40van Ford Custom L2	2x110 cm	0,80 kg	98655Z054	8004815388911	98655Z045	F40van - Ford Custom L2
Kit Rain Guard F40van Ford Custom L2 *	2x110 cm	0,80 kg	98655Z053	8004815388904	98655Z045	F40van - Ford Custom L2 *
Kit Rain Guard F40van Mercedes V Class	2x110 cm	0,80 kg	98655Z077	8004815401221	98655Z078	F40van - Mercedes V Class

Item No. 98655-904

Delivered as standard with Kit Rain Guard F80/F65

\*only suitable for left-hand drive

Item No. 98655-745, 98655Z012

Brackets equipped with 300 cms of rubber seal. For F80s 370 awning install also the Kit Rain Guard F80 50 optional

Installation  
Kit Rain Guard F40Van



Installation  
Kit Rain Guard Van



Installation  
Kit Rain Guard California



## PRELIMINARY CHECK



- It is always advisable to read carefully the assembly instructions before proceeding with the installation.
- If you want to install an enclosure or a Side panel, make sure that the adapters are well positioned taking into account the doors, windows and garage opening.
- Before installation, ensure compatibility with the vehicle on which the product must be installed. Checking that the wall/roof is sufficiently solid and suitable for guaranteeing the resistance of the anchoring points is always mandatory. If not, strength and compliance with the maximum load indicated in the instructions are not guaranteed and it will be necessary to reinforce it these points. The installation of the awning can occur only when the brackets are perfectly aligned to the wall/roof of the vehicle.
- The awnings are to be fixed on the brackets so that the words "SUPPORT" on the awning are in correspondence of the brackets.

## HOW TO CHOOSE THE RIGHT ADAPTER

**TYPE OF VEHICLE**

**VEHICLE DATA**

VEHICLE BRAND      MODEL & YEAR

**INSTALLATION**

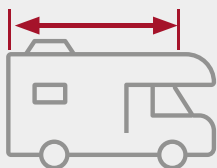
WALL INSTALLATION      ROOF INSTALLATION

## WARNINGS



- Before installation, degrease the bracket with suitable products
- Clean the part of the wall intended for installation with non-aggressive products suitable for the materials concerned
- Slightly sand the part of the surface concerned to improve the adhesion of the sealants
- Use sealants suitable for the materials concerned and to prevent water from entering the installation holes
- Use a specific primer in relation to the sealant used

## WARNINGS



For the installation of the adapters please use the flat portion of the roof to ensure a good alignment of the adapters.



Maintain a minimum distance from lights and ventilation grills. Also check that the entrance door can be opened easily with the awning fully extended.



**Standard finish**  
The classic aluminium finish of Fiamma brackets



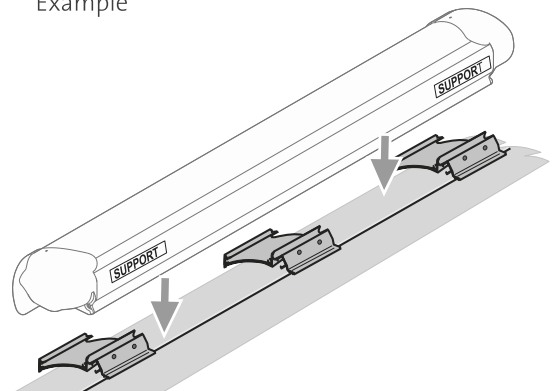
**Black finish**  
Black finish to make the brackets less visible on the vehicle profile

**INSTALLATION ON FIXING KIT**



- To install the bracket or the adapter, follow the specific installation instructions.
- The awnings are to be fixed on the brackets so that the words "SUPPORT" on the awning correspond to the brackets: this condition is necessary and indispensable for the two brackets situated at the ends (which are located on the fixing point of the arms on the case-box).
- It is important, but not indispensable, for the central bracket/s as it/they provide/s only a mounting support. The brackets must always be well aligned reciprocally to avoid later problems; in case they are not, they must be properly shimmed using the spacers to ensure the alignment.
- The installation of the awning can occur only when the brackets are perfectly aligned to the roof of the vehicle.

Example

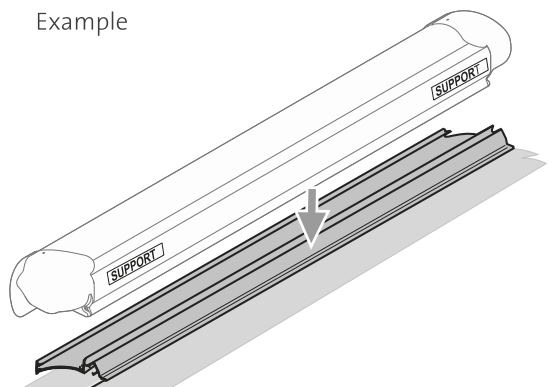


**INSTALLATION ON ADAPTER**



- Ensure that the adapter is mounted linearly and does not present curves or deformation due to the vehicle: in these cases, shim appropriately to ensure the linearity of the bracket.
- The installation of the awning can occur only when the brackets are perfectly aligned to the roof of the vehicle.

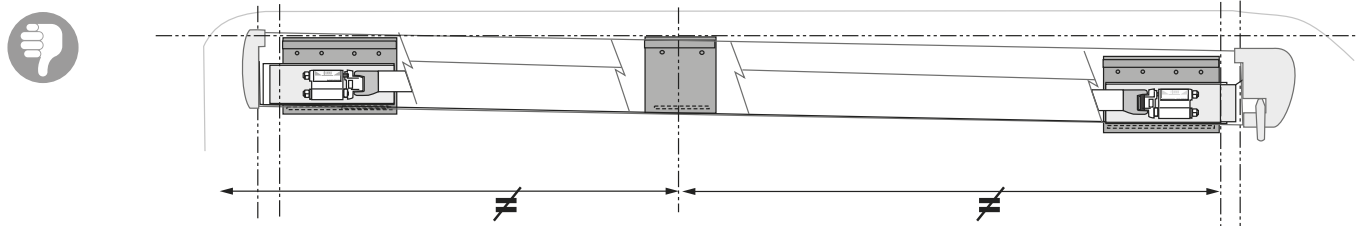
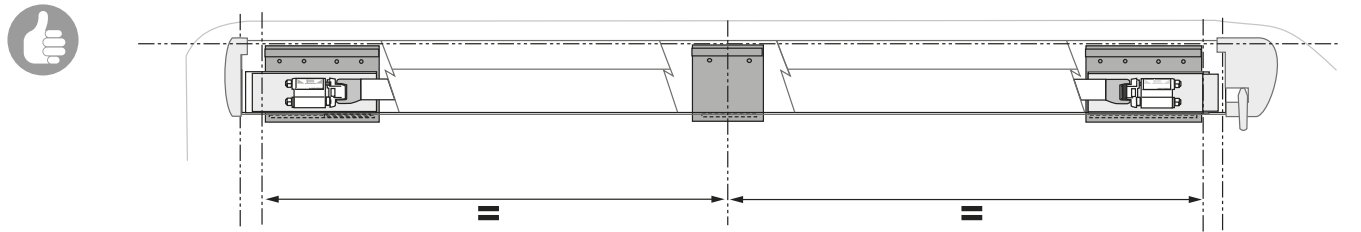
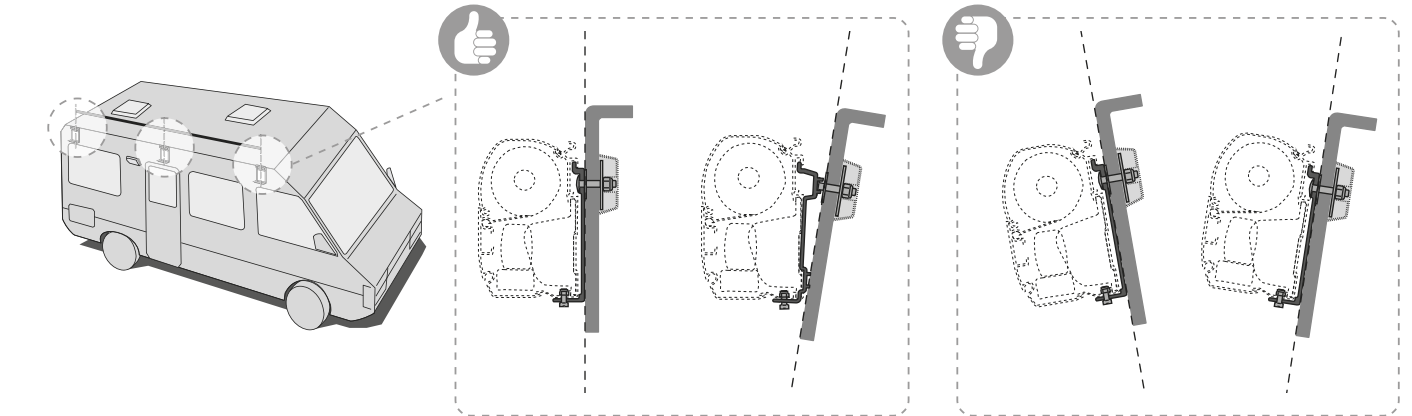
Example



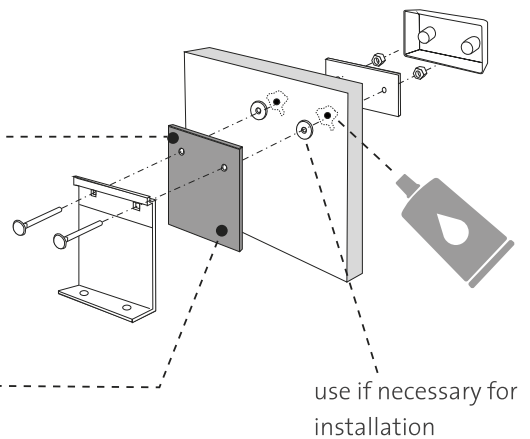
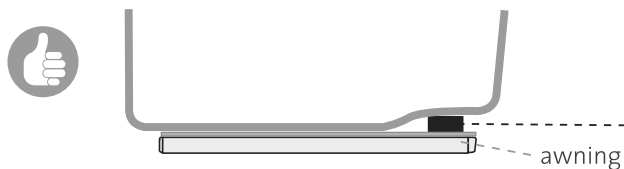
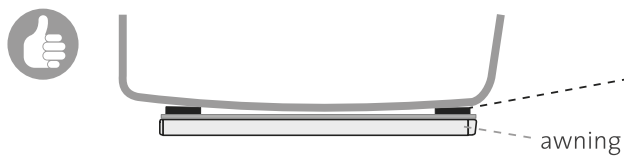
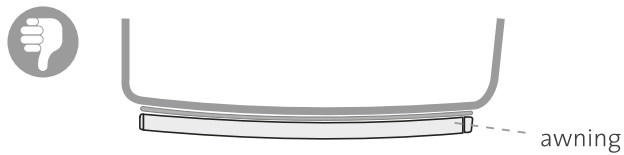


**INSTALLATION ON FIXING KIT**

The installation of the awning can occur only when the brackets are perfectly aligned to the roof of the vehicle.



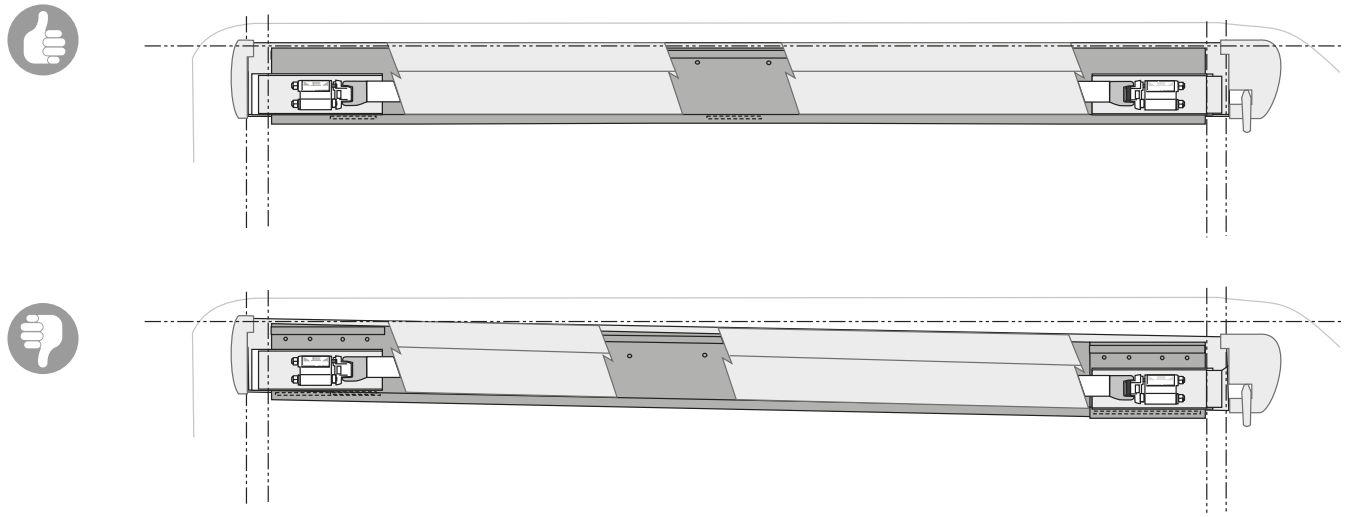
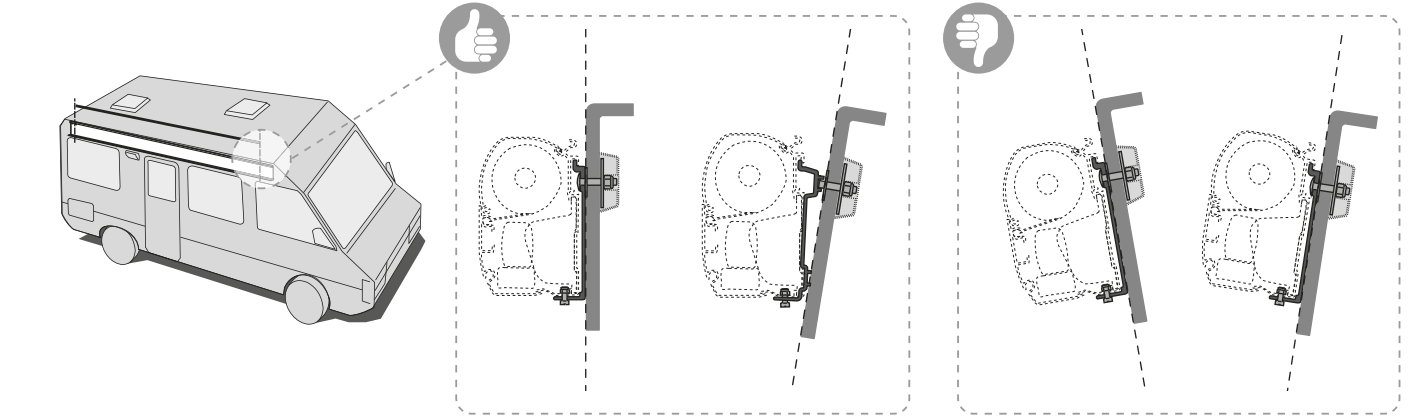
If the wall of the vehicle is not perfectly straight, please place some spacers between the bracket and the wall of the vehicle.



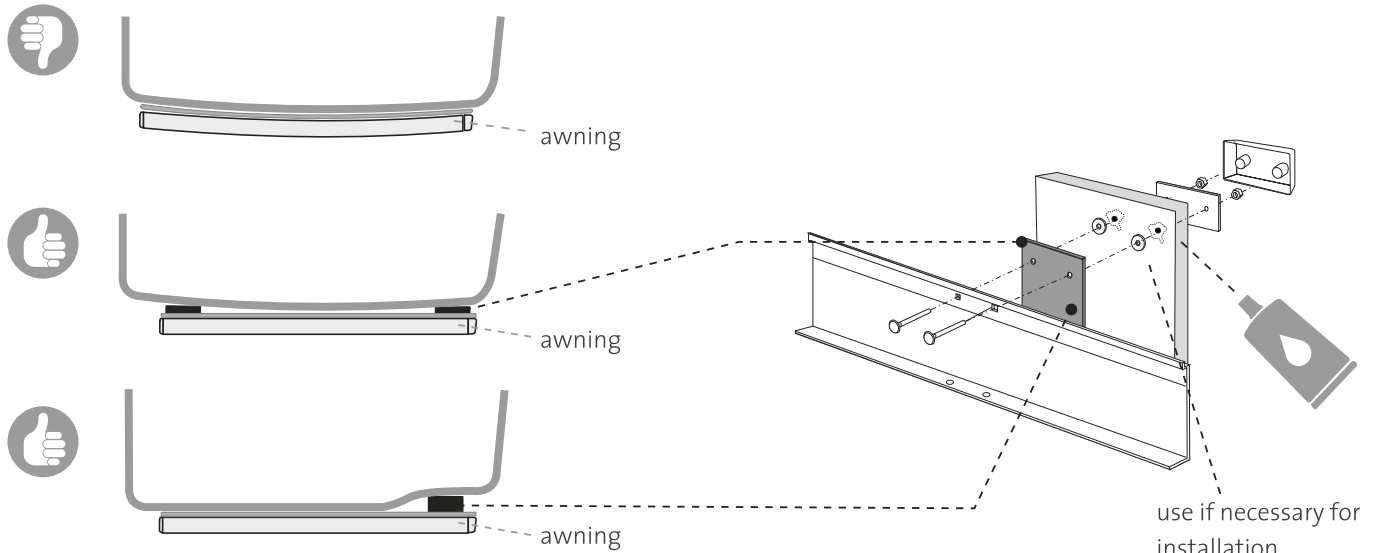


### INSTALLATION ON ADAPTER

The installation of the awning can occur only when the brackets are perfectly aligned to the roof of the vehicle.



If the wall of the vehicle is not perfectly straight, please place some spacers between the bracket and the wall of the vehicle.



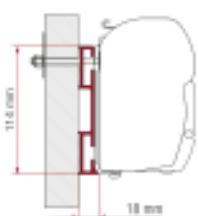
# F45 / F70

## ADAPTER AS / KIT S / KIT AS



	Quantity / Length	Item No.
Adapter AS 300	1 x 300 cm	98655-503
Adapter AS 350	1 x 350 cm	98655-504
Adapter AS 400	1 x 400 cm	98655-505
Adapter AS 450	1 x 450 cm	98655-928
Kit S 120	1 x 12 cm	98655-392
Kit S 400	1 x 40	98655-381
Kit AS 110 (standard from 190 to 230cm)	2 x 120 cm	98655-2007
Kit AS 120 (standard from 260 to 400 cm)	2 x 12 cm - 1 x 8 cm	98655-391
Kit AS 400 (standard from 450 to 500 cm)	2 x 40 cm - 1 x 12 cm	98655-390
Kit AS 400 L (standard for 550 cm)	4 x 40 cm	98655-393

## ADAPTER D



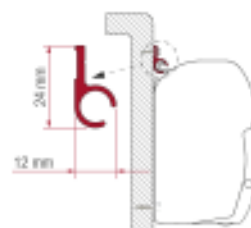
	Quantity / Length	Item No.
Adapter D	1 x 8 cm	98655-021
	1 x 12 cm	98655-022

## KIT / ADAPTER BÜRSTNER



	Quantity / Length	Item No.
Kit Bürstner	2 x 12 cm - 1 x 8 cm	98655-749
Adapter Bürstner	1 x 450 cm	98655-661

## RAIL

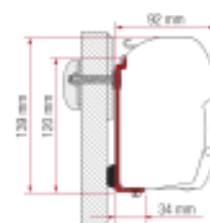


	Quantity / Length	Item No.
Rail	1 x 300 cm	02361-01A
Rail	1 x 400 cm	02361-01C

## KIT CHALLENGER CHAUSSON

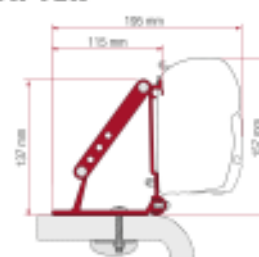


Eden Allegro



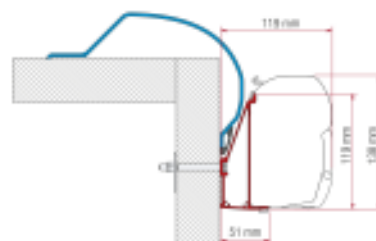
	Quantity / Length	Item No.
Kit Challenger Chausson	2 x 8 cm - 1 x 40 cm	98655-258

## KIT ROOF ADAPTER



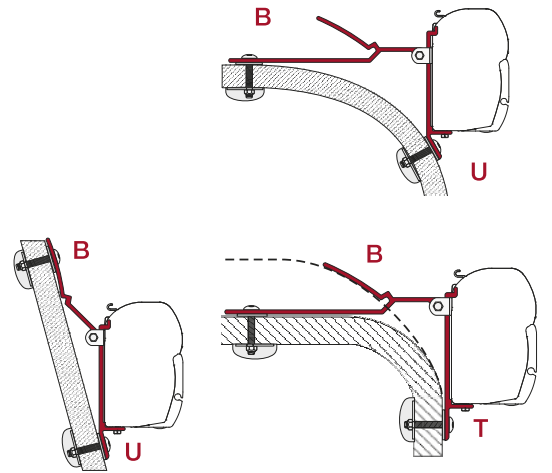
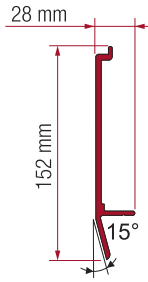
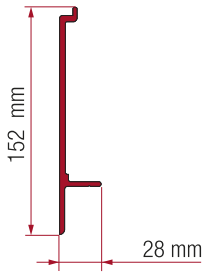
	Quantity / Length	Item No.
Kit Roof Adapter	3 x 8 cm	98655-316

## ADAPTER ARCA



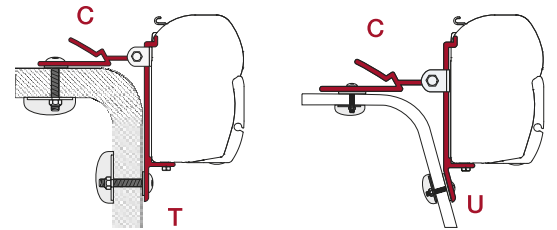
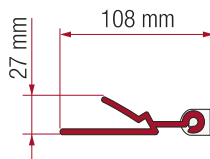
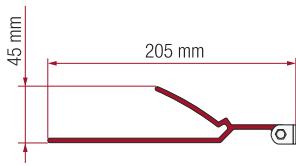
	Quantity / Length	Item No.
Adapter Arca	1 x 400 cm	98655-852

### ADAPTER T / U / B / C



	Quantity	Item No.
Adapter T	1 pc	02437-01-

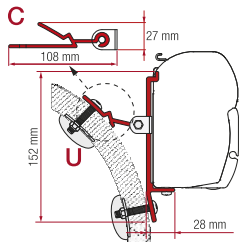
	Quantity	Item No.
Adapter U	1 pc	02437A01-



	Quantity	Item No.
Adapter B	1 pc	02096-01-

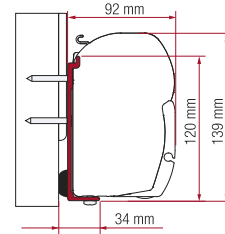
	Quantity	Item No.
Adapter C	1 pc	02097-01-

### KIT HYMER S



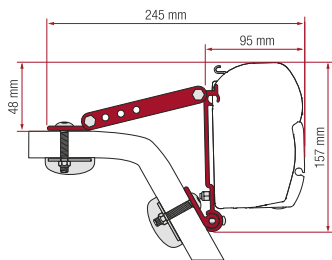
	Quantity / Length	Item No.
Kit Hymer S	3 x 8 cm - 3 x 8 cm	02097-01- (1pc) + 02437A01- (1pc)

### KIT FLEURETTE



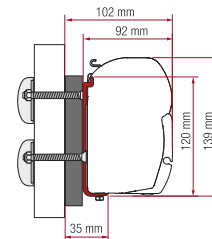
	Quantity / Length	Item No.
Kit Fleurette	1 x 8 cm - 2 x 12 cm	98655-082

### KIT WALL ADAPTER



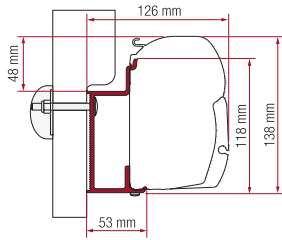
	Quantity / Length	Item No.
Kit Wall Adapter	3 x 8 cm	98655-318

### KIT DETHLEFFS GLOBEUS



	Quantity / Length	Item No.
Kit Dethleffs Globeus	3 x 12 cm	98655-730

### ADAPTER EURA MOBIL KARMANN

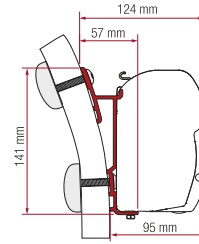


	Quantity / Length	Item No.
Adapter Eura Mobil Karmann	1 x 350 cm	98655-764
	1 x 400 cm	98655-765
	1 x 450 cm	98655-766

### ADAPTER HYMER S-E KLASSE



Hymermobile S Klasse 650, 740, 820 Esterel ≥ 2007

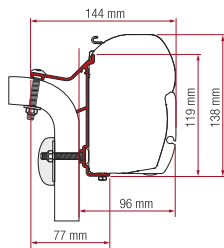


	Quantity / Length	Item No.
Adapter Hymer S-E Klasse	1 x 400 cm	98655-249
	1 x 450 cm	98655-250

### KIT / ADAPTER HYMER / VAN B2



\*Hymermobile B Classic B Klasse Starline

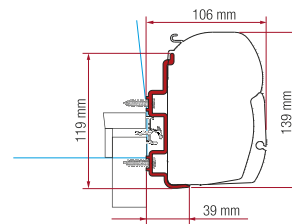


	Quantity / Length	Item No.
Kit Hymer / Van B2	2 x 8 cm - 2 x 35 cm	98655-243
	1 x 350 cm	98655-244
Adapter Hymer / Van B2*	1 x 400 cm	98655-245
	1 x 450 cm	98655-246

### ADAPTER HYMER EXSIS



≤ 2005

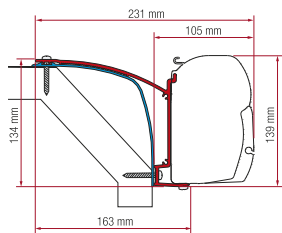


	Quantity / Length	Item No.
Adapter Hymer Exsis	1 x 300 cm	98655-688

### KIT LAIKA ECOVIP 07

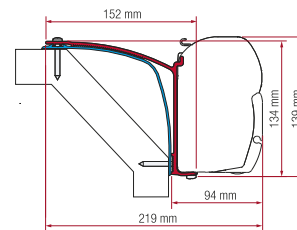


For awnings from 4m



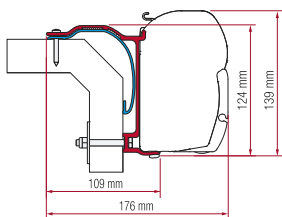
	Quantity / Length	Item No.
Kit Laika Ecovip 07	3 x 15 cm	98655-467

### KIT LAIKA REXOSLINE - ECOVIP 07 - KREOS 09



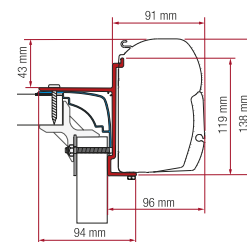
	Quantity / Length	Item No.
Kit Laika Rexosline - Ecovip 07 - Kreos 09	3 x 15 cm	98655-418

### KIT LAIKA X



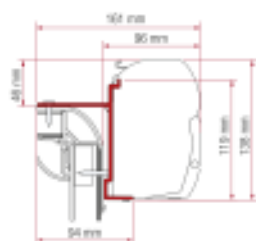
	Quantity / Length	Item No.
Kit Laika X	3 x 15 cm	98655-761

### KIT LAIKA ECOVIP - BÜRSTNER - HOBBY / ADAPTER LAIKA ECOVIP



	Quantity / Length	Item No.
Kit Laika Ecovip - Bürstner - Hobby	3 x 15 cm - 1 x 12 cm	98655-357
Adapter Laika Ecovip	1 x 390 cm	98655-469



**KIT PILOTE EXPLORATEUR**

	Quantity / Length	Item No.
Kit Pilote Explorateur	3 x 15 cm	98655-729

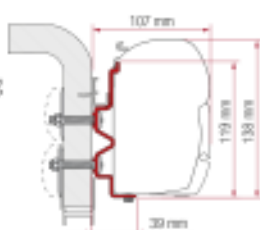
**KIT / ADAPTER HYMER > 2016**

	Quantity / Length	Item No.
Kit Hymer ≥ 2016	3 x 12 cm	986552059

	Quantity / Length	Item No.
Adapter Hymer ≥ 2016	1 x 300 cm	986552060
	1 x 350 cm	986552061
	1 x 400 cm	986552062
	1 x 450 cm	986552063
	1 x 500 cm	986552064

**KIT / ADAPTER HYMERCAMP**

\* Hymercamp Swing  
Starline  
Hobby Van  
Caravan Hobby og



	Quantity / Length	Item No.
Kit Hymercamp	3 x 12 cm	98655-278

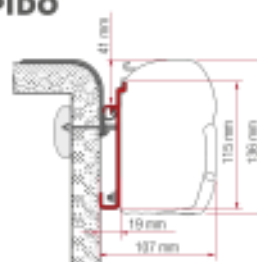
	Quantity / Length	Item No.
Adapter Hymercamp*	1 x 300 cm	98655-277
	1 x 350 cm	98655-276
	1 x 400 cm	98655-274
	1 x 450 cm	98655-275
	1 x 500 cm	98655-273

**KIT VOYAGEUR**

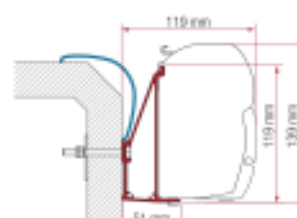
	Quantity / Length	Item No.
Kit Voyageur	3 x 8 cm - 3 x 8 cm	02097-01- (1 pc) + 02437A01- (1pc)

**ADAPTER RAPIDO**

Fiat 708F, 701F, 740F  
Fiat Garage 660,  
770F, 772F  
Mercedes 749M,  
779M



	Quantity / Length	Item No.
Adapter Rapido	1 x 350 cm	98655-398
	1 x 400 cm	98655-399

**ADAPTER RAPIDO SERIE 6**

	Quantity / Length	Item No.
Adapter Rapido Serie 6	1 x 350 cm	98655-895
	1 x 400 cm	98655-896

**ADAPTER RAPIDO SERIE 7-8**

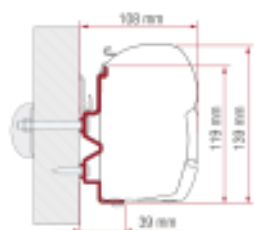
Fiat 860F  
Fiat Garage 860F,  
870F, 890F



	Quantity / Length	Item No.
Kit Rapido Serie 7-8	2 x 8 cm - 1 x 100 cm	9865-222

**ADAPTER RAPIDO SERIE 9dF - 9M - 10**

≥ 2011



Quantity / Length

Item No.

1 x 350 cm 98655-916

Adapter Rapido  
Serie 9dF - 9M - 10

1 x 400 cm 98655-917

1 x 450 cm 98655-918

**ADAPTER WINGAMM OASI**

≥ 2006



Quantity / Length

Item No.

1 x 230 cm 98655-929

Adapter Wingamm Oasi

1 x 300 cm 98655-930

1 x 350 cm 98655-931

**ADAPTER RAPIDO SERIE 9**

Quantity / Length

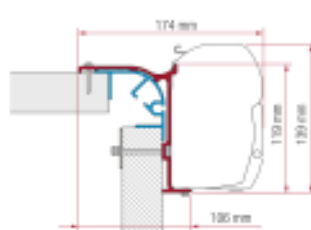
Item No.

Kit Rapido Serie 9

2 x 8 cm - 2 x 12 cm 98655-223

**KIT BAILEY MK 1**

≥ 2011 ≤ 2013



Quantity / Length

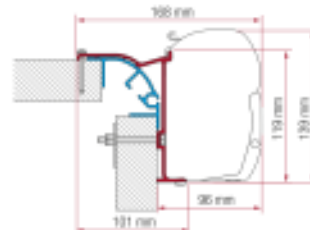
Item No.

Kit Bailey MK 1

3 x 15 cm 98655-879

**KIT BAILEY MK 2**

≥ 2014



Quantity / Length

Item No.

Kit Bailey MK 2

3 x 15 cm 98655-946

**KIT CARAVAN**

Quantity / Length

Item No.

Kit Caravan

3 x 13 cm 98655-252

**KIT ERIBA TOURING**

&lt; 06/2013



Quantity / Length

Item No.

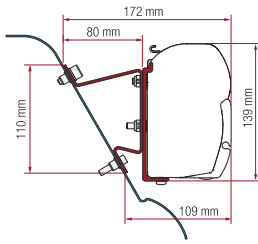
Kit Eriba Touring

3 x 8 cm 98655-283

### KIT MERCEDES SPRINTER H3 - SPRINTER H3 WESTFALIA - VW CRAFTER H3



≥ 2006



Quantity / Length

Item No.

Kit Mercedes Sprinter H3 -  
Sprinter H3 Westfalia -  
VW Crafter H3

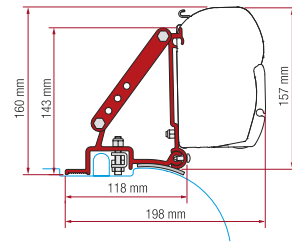
3 x 8 cm

98655-591

### KIT FIAT DUCATO H2 - CITROËN JUMPER H2 - PEUGEOT BOXER H2



≥ 2006



Quantity / Length

Item No.

Kit Fiat Ducato H2  
Citroën Jumper H2  
Peugeot Boxer H2

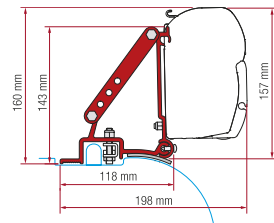
2 x 8 cm

98655-755

### KIT FIAT DUCATO H2 - CITROËN JUMPER H2 - PEUGEOT BOXER H2



≥ 1994 ≤ 2006



Quantity / Length

Item No.

Kit Fiat Ducato H2  
Citroën Jumper H2  
Peugeot Boxer H2

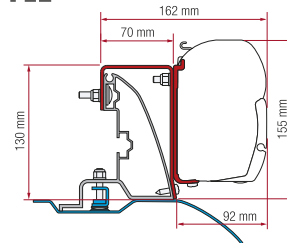
2 x 8 cm

98655-680

### KIT FIAT DUCATO H2 ROOF RAIL ALU-LINE STYLE



> 2006



Quantity / Length

Item No.

Kit Fiat Ducato H2 Roof Rail  
Alu-line Style

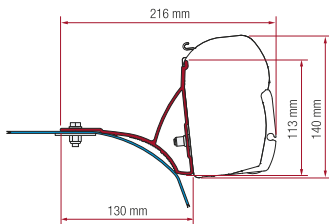
3 x 12 cm

98655-625

### KIT FIAT DUCATO WITH ROOF RACK



≥ 2006



Quantity / Length

Item No.

Kit Fiat Ducato  
with Roof Rack

3 x 12 cm

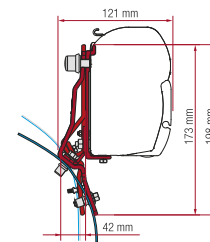
98655-485

### KIT FIAT DUCATO - RENAULT MASTER



Iveco 35C13 City  
(Fiat New Daily)  
Renault Master ≥ 03/1998

Fiat Ducato ≥ 1981 ≤ 1994  
Peugeot J5  
Citroën C25



Quantity / Length

Item No.

Kit Fiat Ducato  
Renault Master

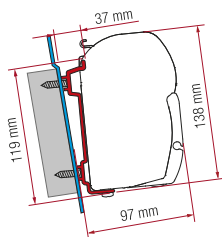
2 x 14 cm

98655-286

### KIT FORD TRANSIT



H2 ≤ 2014  
H3 ≥ 2014



Quantity / Length

Item No.

Kit Ford Transit

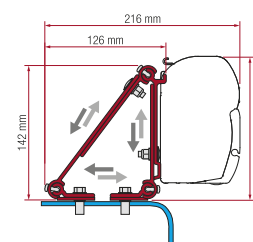
2 x 40 cm

98655-741

### KIT MULTI



The only modular bracket  
fitted to compensate the  
curved roof of the vehicle.  
Renault Master 98, Fiat  
Ducato, Citroën Jumper,  
Peugeot Boxer



Quantity / Length

Item No.

Kit Multi

1 x 8 cm

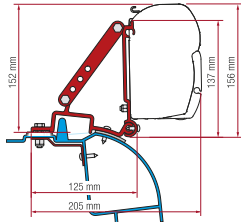
98655-011

### KIT RENAULT MASTER H2 - OPEL MOVANO H2 - NISSAN INTERSTAR H2



Renault Master II H2-  
Opel Movano I H2-  
≥ 1997 ≤ 2009

Nissan Interstar H2  
≥ 1998 ≤ 2011



Quantity / Length

Item No.

Kit Renault Master H2 -  
Opel Movano H2 -  
Nissan Interstar H2

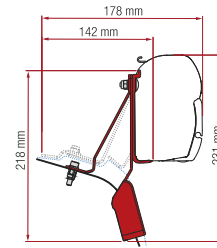
3 x 8 cm

98655-681

### • KIT FORD CUSTOM NUGGET for Lift Roof



≥ 2015



Quantity / Length

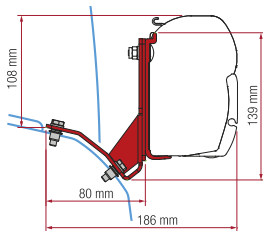
Item No.

Kit Ford Custom Nugget  
for Lift Roof

2 x 8 cm

98655z114

### • KIT FIAT DUCATO H2 Lift Roof HYMERCAR / PÖSSL Lift Roof



Quantity / Length

Item No.

Kit Fiat Ducato H2 Lift  
Roof - Hymercar  
Pössl Lift Roof

3 x 12 cm

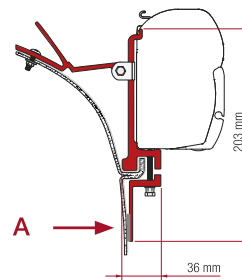
98655z028

### KIT VAN

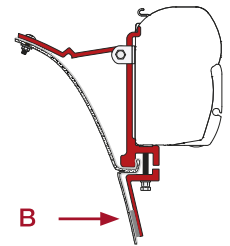


For awnings  
up to 3.50 m  
long

Both A and B  
brackets  
are delivered  
as standard  
with the kit.

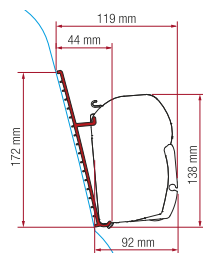


Peugeot J5  
Citroën C25  
Fiat Ducato ≤ 1994



Ford Transit ≤ 2014  
Mercedes Sprinter 208 D KB

### KIT FIBERGLASS ROOF



Quantity / Length

Item No.

Kit Fiberglass Roof

2 x 40 cm

98655-744

Quantity / Length

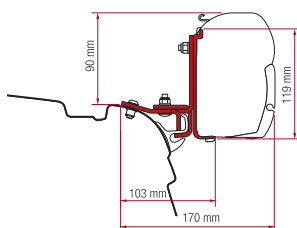
Item No.

Kit Van

2 x 8 cm

98655-017

### KIT BRANDRUP VW T5/T6



Quantity / Length

Item No.

Kit Brandrup VW T5/T6

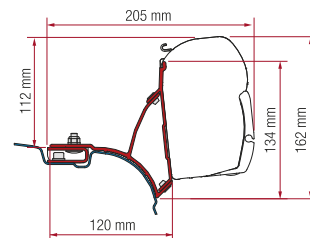
2 x 12 cm

98655-627

### KIT VW T5/T6 MULTIVAN TRANSPORTER



≥ 2003



Quantity / Length

Item No.

Kit VW T5/T6 Multivan  
Transporter

2 x 21,5 cm

98655-647

2 x 21,5 cm

\*98655-648

**KIT MULTIRAIL REIMO VW T5/T6**

Quantity / Length

Item No.

Kit Multirail Reimo  
VW T5/T6

2 x 12 cm

98655-590

**KIT VW T4 - VW T4 Lift Roof**

≥ 1990 ≤ 2003



Quantity / Length

Item No.

Kit VW T4 -  
VW T4 Lift Roof

2 x 14 cm

98655-292

**KIT BRANDRUP VW T4**Reimo  
Multirail

Quantity / Length

Item No.

Kit Brandrup VW T4

2 x 8 cm

98655-z01

**• KIT VW T3**≥ 1979  
≤ 1991

Quantity / Length

Item No.

Kit VW T3

2 x 8 cm

98655-035

**KIT RENAULT TRAFIC - OPEL VIVARO -  
NISSAN NV300 - FIAT TALENTO**

≥ 2014



Quantity / Length

Item No.

Kit Renault Trafic - Opel  
Vivaro - Nissan NV300 -  
Fiat Talento

2 x 16 cm

98655-z021

**KIT RENAULT TRAFIC - OPEL VIVARO -  
NISSAN PRIMASTAR**≥ 2001  
≤ 2014

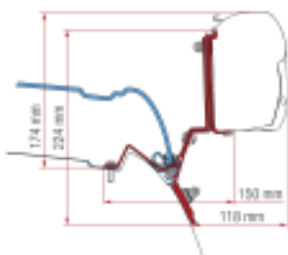
Quantity / Length

Item No.

Kit Renault Trafic -  
Opel Vivaro - Nissan  
Primastar

2 x 16 cm

98655-854

**KIT V CLASS MARCO POLO**≥ 2014  
Not suitable  
for Marco Polo  
with electric  
roof

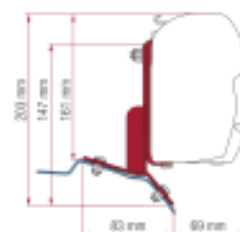
Quantity / Length

Item No.

Kit V Class Marco Polo

1 x 12 cm - 1 x 13 cm

98655-z022

**• KIT FORD CUSTOM**Attention:  
opening/closing  
operations of  
the awning  
must be  
performed  
with the  
sliding door  
closed.Only for use with  
the awning F455  
2.60m

Quantity / Length

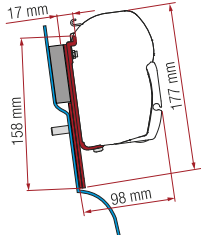
Item No.

Kit Ford Custom

2 x 12 cm

\*\*98655-z025

### KIT FORD CUSTOM NUGGET for High Roof



Quantity / Length

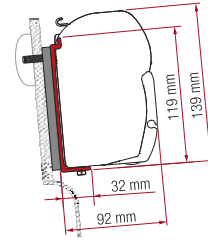
Item No.

Kit Ford Custom Nugget for High Roof

2 x 12 cm

986552023

### KIT HIGH ROOF ADAPTER WESTFALIA



Quantity / Length

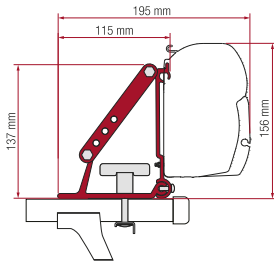
Item No.

Kit High Roof Adapter Westfalia

2 x 12 cm

98655-317

### KIT AUTO



Quantity / Length

Item No.

Kit Auto

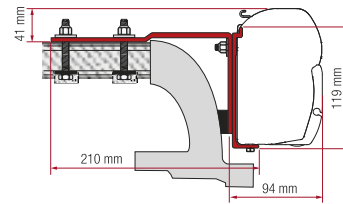
2 x 8 cm

98655-310

### KIT MERCEDES VITO



≤ 2003



Quantity / Length

Item No.

Kit Mercedes Vito

2 x 14 cm

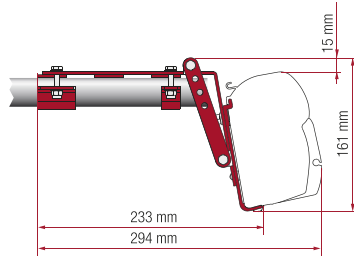
98655-284

### KIT ROOF RAIL



Rail max width 5,5cm

Min. 2 Kits to install an awning



Quantity / Length

Item No.

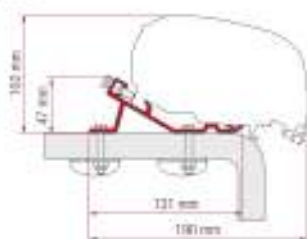
Kit Roof Rail

1 x 12 cm

98655-770

# F65 / F80

## KIT STANDARD



Quantity / Length

Item No.

Kit Standard

3 x 20 cm

98655-855

## ADAPTER STANDARD F65EAGLE 400



Quantity / Length

Item No.

Adapter Standard  
F65eagle 400

1 x 400 cm

98655-969

## ADAPTER CARTHAGO CHIC RAPIDO 180 - 190



≤ 2014



Quantity / Length

Item No.

Adapter Carthago Chic

1 x 400 cm

98655-736

1 x 450 cm

98655-737

1 x 490 cm

98655-738

## KIT AUTOCRUISE



Quantity / Length

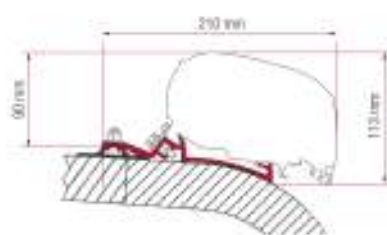
Item No.

Kit Autocruiсе

3 x 15 cm

98655-420

## KIT GIOTTILINE - FENDT

For  
Genetics /  
Graal

Quantity / Length

Item No.

Kit Giottiline - Fendt

3 x 15 cm

98655-725

## KIT LAIKA KREOS 2005



≥ 2005



Quantity / Length

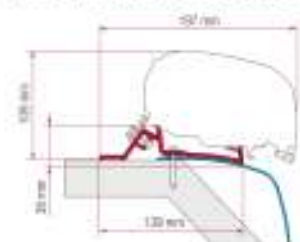
Item No.

Kit Laika Kreos 05

3 x 15 cm

98655-698

## KIT LAIKA REXOSLINE / KREOS 09



Quantity / Length

Item No.

Kit Laika Rexosline /  
Kreos 09

4 x 15 cm

98655-419

## ADAPTER ELDDIS



Quantity / Length

Item No.

Adapter Elldis

1 x 370 cm

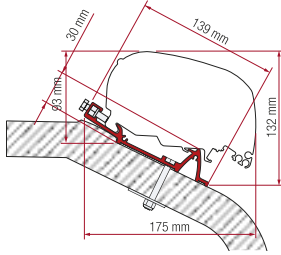
98655-629

1 x 400 cm

98655-630

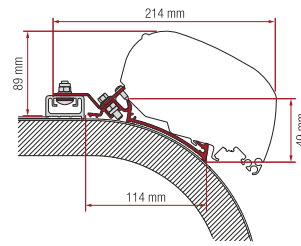


**ADAPTER LMC - TEC**



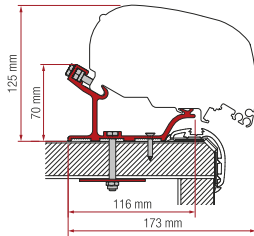
	Quantity / Length	Item No.
Adapter Lmc - Tec	1 x 290 cm	98655-773
	1 x 340 cm	98655-774
	1 x 370 cm	98655-775
	1 x 400 cm	98655-776

**ADAPTER RAPIDO DISTINCTION**



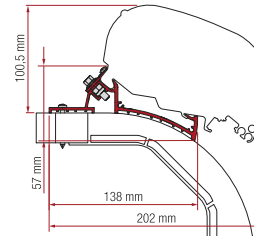
	Quantity / Length	Item No.
Adapter Rapido Distinction	1 x 400 cm	98655z080
	1 x 450 cm	98655z081
	1 x 490 cm	98655z082

**ADAPTER CARTHAGO MALIBU**



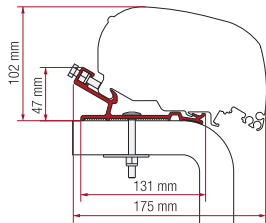
	Quantity / Length	Item No.
Adapter Carthago Malibu	1 x 340 cm	98655z083
	1 x 400 cm	98655z084
	1 x 450 cm	98655z085
	1 x 490 cm	98655z086

**KIT ARCA MOBILVETTA K-YACHT**



	Quantity / Length	Item No.
Kit Arca Mobilvetta K-Yacht	3 x 15 cm	98655z079

**ADAPTER HYMER**

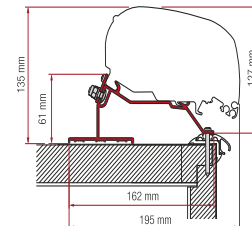


	Quantity / Length	Item No.
Adapter Hymer	1 x 290 cm	98655-932
	1 x 320 cm	98655-933
	1 x 340 cm	98655-934
	1 x 370 cm	98655-935
	1 x 400 cm	98655-936
	1 x 450 cm	98655-937
	1 x 490 cm	98655-938

**ADAPTER CARAVAN ROOF**



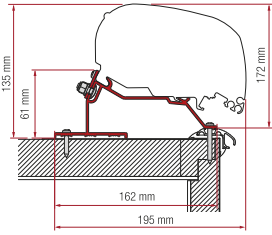
Dethleffs  
Fendt  
LMC  
Trigano



	Quantity / Length	Item No.
Adapter Caravan Roof	1 x 290 cm	98655z067
	1 x 320 cm	98655z068
	1 x 340 cm	98655z069
	1 x 370 cm	98655z070
	1 x 400 cm	98655z071
	1 x 425 cm	98655z072
	1 x 450 cm	98655z073
	1 x 500 cm	98655z074



### KIT CARAVAN ROOF



Quantity / Length

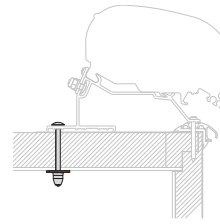
Item No.

Kit Caravan Roof

3 x 100 cm

98655z066

### KIT LMC ADAPTER CARAVAN ROOF



Kit consisting of 4 plates, screws & nuts enabling the installation of the F80s awning to LMC caravans using the Kit or Adapter Caravan Roof

Quantity

Item No.

Kit Lmc Adapter Caravan Roof

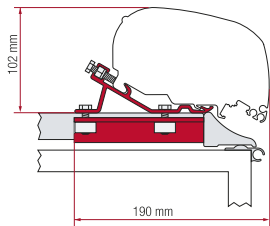
4 plates, screws & nuts

98655z100

### KIT FIXING BAR



Only for use with Fixing Bar Pro L (98655-295)



Quantity / Length

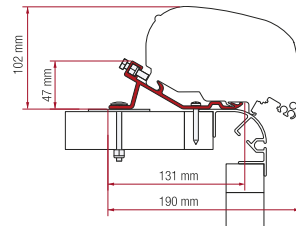
Item No.

Kit Fixing Bar

3 x 20 cm

98655-384

### KIT BAILEY



Quantity / Length

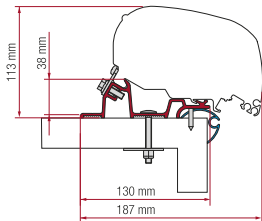
Item No.

Kit Bailey

3 x 25 cm

98655-939

### KIT CARAVAN STANDARD



Quantity / Length

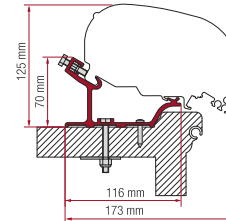
Item No.

Kit Caravan Standard

2 x 50 cm - 2 x 30 cm

98655-657

### KIT HOBBY EASY / ONTOUR / ADRIA ADORA



Quantity / Length

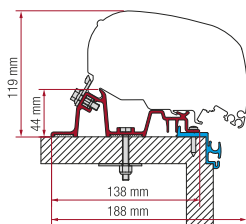
Item No.

Kit Hobby Easy / Ontour / Adria Adora

2 x 50 cm - 2 x 30 cm

98655-949

### KIT HOBBY EXCELLENT



Quantity / Length

Item No.

Kit Hobby Excellent

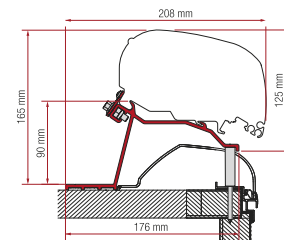
2 x 50 cm - 2 x 30 cm

98655-662

### KIT HOBBY CARAVAN



≥ 2014



Quantity / Length

Item No.

Kit Hobby Caravan

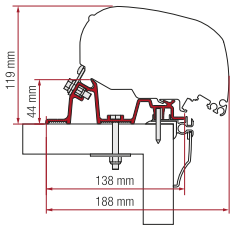
2 x 27 cm - 2 x 60 cm

98655z065

**KIT CARAVAN HOBBY**



≥ 2009



Quantity / Length

Item No.

Kit Caravan Hobby

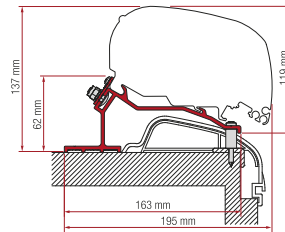
2 x 50 cm - 2 x 30 cm

98655-921

**KIT HOBBY PREMIUM & ONTOUR**



≥ 2012



Quantity / Length

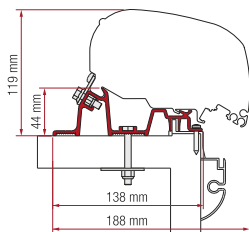
Item No.

Kit Caravan Hobby

2 x 25 cm - 2 x 50 cm

98655z089

**KIT HOBBY PREMIUM**



Quantity / Length

Item No.

Kit Hobby Premium

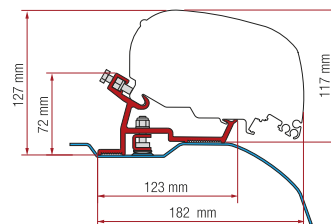
2 x 50 cm - 2 x 30 cm

98655-628

**\*\* KIT DUCATO / CITROËN JUMPER / PEUGEOT BOXER - H2**



≥ 2006  
L2- L3  
Only for F80s/  
F65s



Quantity / Length

Item No.

Kit Ducato / Citroën  
Jumper / Peugeot Boxer

1 x 20 cm - 1 x 15 cm -  
1 x 12 cm

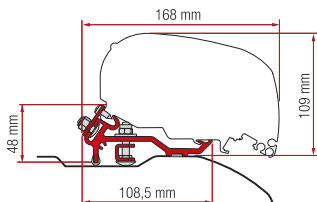
98655z101  
98655z102 ●



**\*\* KIT DUCATO / CITROËN JUMPER / PEUGEOT BOXER - LOW PROFILE**



≥ 2006  
L2- L3  
Low profile bracket  
only for F80s



Quantity / Length

Item No.

Kit Ducato / Citroën  
Jumper / Peugeot Boxer  
Low Profile

1 x 20 cm - 1 x 15 cm -  
1 x 12 cm

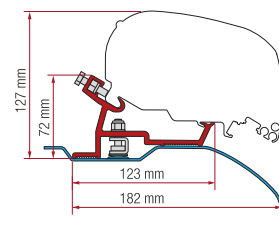
98655z103  
98655z104 ●



**\*\* KIT DUCATO / CITROËN JUMPER / PEUGEOT BOXER - H2**



≥ 2006  
L4  
For F80s and F65s



Quantity / Length

Item No.

Kit Ducato / Jumper /  
Boxer - H2

2 x 26 cm - 1 x 12 cm

Brackets  
standard  
equipped with  
400 cms of  
rubber seal

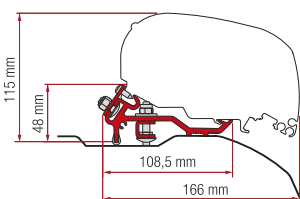
98655-904



**\*\* KIT DUCATO / CITROËN JUMPER / PEUGEOT BOXER - H2**



≥ 2006  
L4  
Low profile bracket  
only for F80s



Quantity / Length

Item No.

Kit Ducato / Jumper /  
Boxer - H2

2 x 26 cm - 1 x 12 cm

98655z093

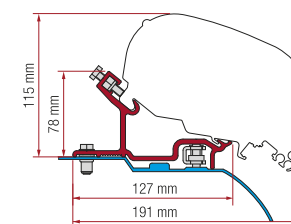
Brackets  
standard  
equipped with  
400 cms of  
rubber seal



**KIT DUCATO / CITROËN JUMPER / PEUGEOT BOXER - H3**



≥ 2006



Quantity / Length

Item No.

Kit Ducato / Jumper /  
Boxer - H3

1 x 20 cm - 1 x 25 cm -  
1 x 35 cm

\*\*98655-656

**KIT DUCATO / CITROËN JUMPER /  
PEUGEOT BOXER - H2 - ≤ 06**≥ 1994 ≤ 2006  
High profile bracket

Quantity / Length

Item No.

Kit Ducato / Jumper /  
Boxer - H2 - < 2006

2 x 20 cm

98655-373

**KIT DUCATO / CITROËN JUMPER /  
PEUGEOT BOXER - H2 - ≤ 06**≥ 1994 ≤ 2006  
Low profile bracket

Quantity / Length

Item No.

Kit Ducato / Jumper /  
Boxer - H2 - < 2006

2 x 20 cm

98655-693

**ADAPTER FORD TRANSIT H3**

≥ 2014



Quantity / Length

Item No.

Adapter Ford Transit H3

1 x 400 cm

986552108

**\*\* KIT SMART CLAMP DUCATO**L2- L3 - L4  
F80s

Quantity / Length

Item No.

Kit Smart Clamp Ducato

2 x 20 cm - 2 x 12 cm

986552097

**KIT IVECO DAILY H2**≥ 2006  
≤ 2014

Quantity / Length

Item No.

Kit Iveco Daily H2

2 x 15 cm - 1 x 20 cm

98655-733

**KIT RENAULT MASTER H2 ≥ 2010**≥ 2010  
H2Also for  
Opel Movano  
and Nissan  
NV400

Quantity / Length

Item No.

Kit Renault Master &gt; 2010

1 x 12 cm - 1 x 44 cm -  
1 x 64 cm

98655-881

**KIT RENAULT MASTER H2**≥ 1998  
≤ 2010  
H2Also for  
Opel Movano  
and Nissan  
Interstar

Quantity / Length

Item No.

Kit Renault Master H2

2 x 29 cm - 1 x 12 cm

98655-468

**KIT MERCEDES SPRINTER /  
VW CRAFTER HIGH ROOF**

Mercedes ≥ 2006

VW Crafter ≥ 2006  
≤ 2016

Quantity / Length

Item No.

Kit Mercedes Sprinter /  
VW Crafter High Roof1 x 12 cm - 1 x 53 cm -  
1 x 60 cm

98655-746

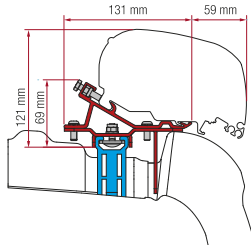
98655-889 \*

### KIT VW CRAFTER - Roof Rail



≥ 2017

Man Tge



Quantity / Length

Item No.

Kit VW Crafter with Roof Rail

1 x 20 cm - 1 x 30 cm -  
1 x 40 cm

986552036

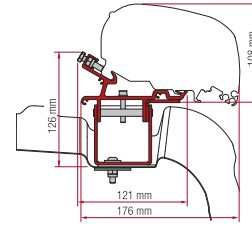
### • KIT VW CRAFTER L3 H3



≥ 2017

Man Tge

Without Roof Rail



Quantity / Length

Item No.

Kit VW Crafter L3 H3

1 x 20 cm - 1 x 32 cm

986552043

986552058 \*

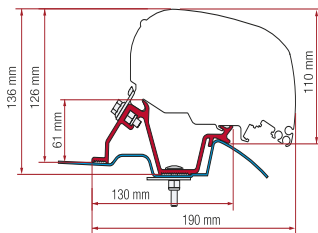
For VW Crafter L3/H3 pls choose the F80s 320cm long

### ADAPTER SPRINTER F65EAGLE



Sprinter ≥ 2006

VW Crafter ≥ 2006 ≤ 2016



Quantity / Length

Item No.

Adapter Sprinter F65eagle

1 x 400 cm

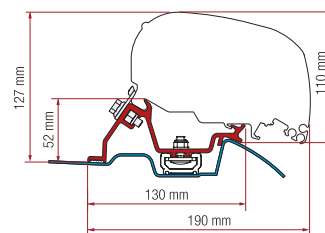
98655-768

986552010 \*

### KIT MERCEDES SPRINTER - Roof Rail



≥ 2006



Quantity / Length

Item No.

Kit Mercedes Sprinter with Roof Rail

2 x 40 cm - 1 x 12 cm

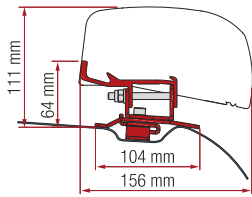
98655-772

# F40van

## • ADAPTER PSA



Opel Vivaro C  
Opel Zafira Life  
Vauxhall  
Vivaro Life  
≥ 2019



Citroën Jumpy II gen./Spacetourer  
Peugeot Traveller  
Peugeot Expert III gen.  
Toyota ProAce II / Toyota ProAce Verso  
≥ 2016

Quantity / Length

Item No.

Adapter PSA

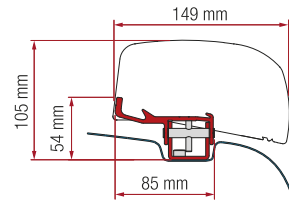
1 x 260 cm

986552110

## • KIT VW T5 / T6



≥ 2003



Quantity / Length

Item No.

Kit VW T5 / T6

1 x 20 cm - 1 x 25 cm

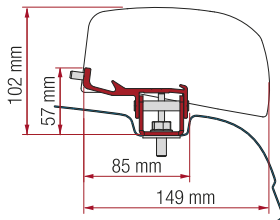
986552030

986552038 \*

## • KIT NISSAN NV350



≥ 2012



Quantity / Length

Item No.

Kit Nissan NV350

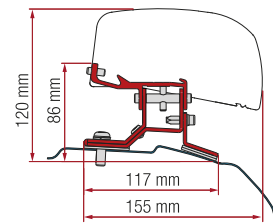
1 x 20 cm - 1 x 25 cm

986552041 \*

## • KIT FORD CUSTOM L1



≥ 2012



Quantity / Length

Item No.

Kit Ford Custom L1

1 x 45,5 cm - 1 x 20 cm

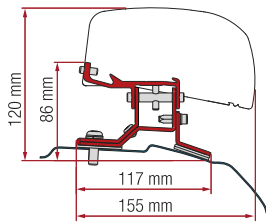
986552044

986552046 \*

## • KIT FORD CUSTOM L2



≥ 2012



Quantity / Length

Item No.

Kit Ford Custom L2

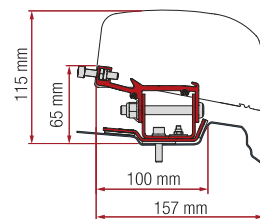
1 x 22,5 cm - 1 x 20 cm

986552045 \*\*

## • KIT RENAULT TRAFIC L1



≥ 2014



Nissan NV 300 / Opel Vivaro-Vauxhall Vivaro B / Fiat Talento

Quantity / Length

Item No.

Kit Renault Trafic L1

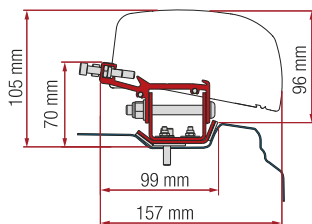
2 x 26 cm

986552087 \*\*

## • KIT RENAULT TRAFIC L2



≥ 2014



Nissan NV 300 / Opel Vivaro-Vauxhall Vivaro B / Fiat Talento

Quantity / Length

Item No.

Kit Renault Trafic L2

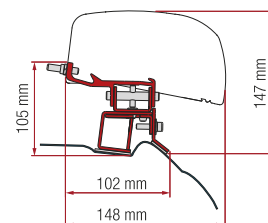
2 x 26 cm - 1 x 76 cm

986552088 \*\*

## • KIT MERCEDES V CLASS



≥ 2014



Quantity / Length

Item No.

Kit Mercedes V Class

1 x 39 cm - 1 x 22 cm

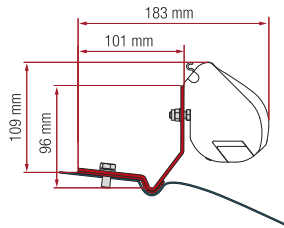
986552078

# F35pro

## • KIT VW CADDY MAXI



≥ 2016



Quantity / Length

Item No.

Kit VW Caddy Maxi

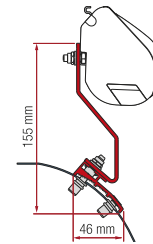
2 x 8 cm

\*\* 98655z096

## • KIT VW CADDY MAXI LIFT ROOF



≥ 2016



Quantity / Length

Item No.

Kit VW Caddy Maxi Lift Roof

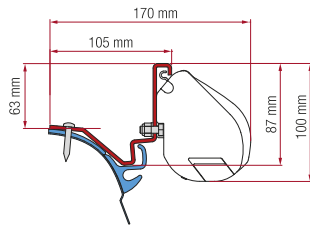
2 x 12 cm

\*\* 98655z109

## • KIT VW T6 KEPLER



L2



Quantity / Length

Item No.

Kit VW T6 Kepler

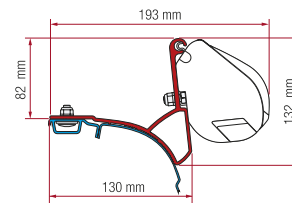
2 x 10 cm

98655z033

## KIT VW T5/T6 MULTIVAN / TRASPORTER



≥ 2003



Installation on rail. For the Transporter version the rail is optional: contact the VW dealer to obtain the rail.

Quantity / Length

Item No.

Kit VW T5/T6 Multivan/Transporter

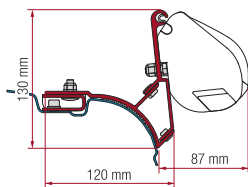
2 x 12 cm

98655-747

## KIT VW T5/T6 MULTIVAN TRASPORTER



≥ 2003



Quantity / Length

Item No.

Kit VW T5/T6 Multivan Transporter

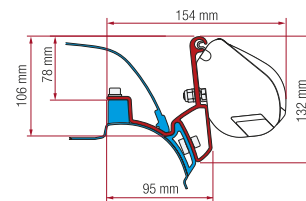
2 x 21,5 cm

98655z004  
98655z005 \*

## KIT VW T5/T6 CALIFORNIA



≥ 2003



Quantity / Length

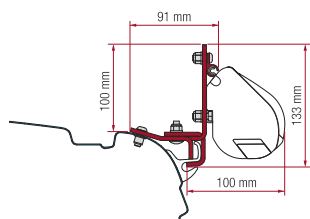
Item No.

Kit VW T5/T6 California

2 x 12 cm

98655-748

## KIT BRANDRUP VW T5/T6



Quantity / Length

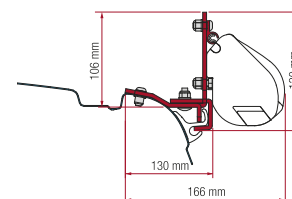
Item No.

Kit Brandrup VW T5/T6

2 x 8 cm

98655-658

## KIT MULTIRAIL REIMO VW T5/T6



Quantity / Length

Item No.

Kit Multirail Reimo VW T5/T6

2 x 8 cm

98655-948

**KIT VW T3 / T3 LIFT ROOF**≥ 1980  
≤ 1991

WITHOUT



DRILLING



Quantity / Length

Item No.

Kit VW T3/T3 Lift Roof

2 x 8 cm

986552115

**• KIT VW T4 LIFT ROOF**≥ 1990  
≤ 2003

Quantity / Length

Item No.

Kit VW T4 Lift Roof

2 x 8 cm

98655-111

**KIT BRANDRUP VW T4**Reimo  
Multirail

WITHOUT



DRILLING



Quantity / Length

Item No.

Kit Brandrup VW T4

2 x 8 cm

986552011

**KIT RENAULT TRAFIC / OPEL VIVARO /  
FIAT TALENTO / NV300 / RAPIDO MIRANDE S**

≥ 2014



Quantity / Length

Item No.

Kit Renault Traffic / Opel  
Vivaro / Fiat Talento /  
NV300 / Rapido Mirande S

2 x 12 cm

986552020

**KIT RENAULT TRAFIC / OPEL VIVARO /  
FIAT TALENTO / NISSAN PRIMASTAR**≥ 2001  
≤ 2014

Quantity / Length

Item No.

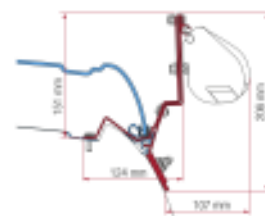
Kit Renault Traffic / Opel  
Vivaro / Fiat Talento /  
Nissan Primastar

2 x 12 cm

98655-893

**KIT CLASS V MARCO POLO**

≥ 2014

Not suitable for  
Marco Polo  
with electric  
roof

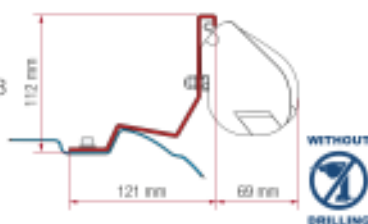
Quantity / Length

Item No.

Kit Class V Marco Polo

1 x 12 cm - 1 x 13 cm

986552022

**• KIT MERCEDES VIANO / MARCO POLO /  
VITO / V CLASS**Viano Vito II: ≥ 2003 ≤ 2013  
Viano Vito II Marco Polo  
≥ 2003 ≤ 2013  
only with manual roof  
V Class Vito III - Long: ≥  
2014

Quantity / Length

Item No.

Kit Mercedes Viano /  
Marco Polo / Vito / V Class

2 x 13 cm

98655-887

**• KIT MERCEDES VITO / VITO MARCO POLO**

≤ 2004



Quantity / Length

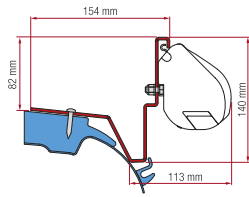
Item No.

Kit Mercedes Vito / Vito  
Marco Polo

2 x 8 cm

98655-682

• **KIT MERCEDES VITO JULES VERNE**



Quantity / Length

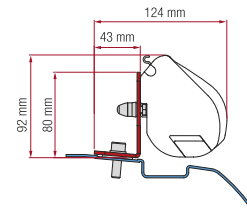
Item No.

Kit Mercedes Vito Jules Verne

2 x 12 cm

98655z034

• **KIT NISSAN NV200**



Quantity / Length

Item No.

Kit Nissan NV200

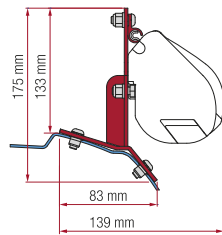
3 x 8 cm

98655z026

**KIT FORD CUSTOM**



Attention: opening/closing operations of the awning must be performed with the sliding door closed



Quantity / Length

Item No.

Kit Ford Custom

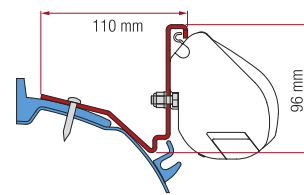
2 x 11 cm

98655z024 \*\*

• **KIT FORD CUSTOM CAPLAND / CAPFUN**



L2



Quantity / Length

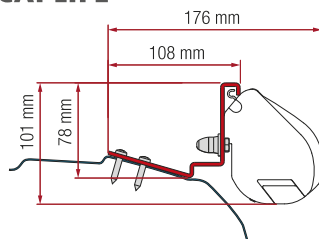
Item No.

Kit Ford Custom Capland / Capfun

2 x 12 cm

98655z035

• **KIT FORD CUSTOM CAP COAST / CAPLAND / CAPLIFE**



Quantity / Length

Item No.

Kit Ford Custom Cap Coast / Capland / Caplife

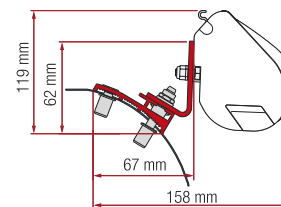
2 x 12 cm

98655z027

• **KIT PSA**



Opel Vivaro C  
Opel Zafira Life  
Vauxhall Vivaro  
Life ≥ 2019



Citroën Jumpy III gen. / Spacetourer  
Peugeot Traveller  
Peugeot Expert III gen  
Toyota ProAce II /  
Toyota ProAce  
Verso ≥ 2016

Quantity / Length

Item No.

Kit PSA

2 x 20 cm

98655z095

# CaravanStore

**KIT HOBBY CARAVANSTORE**



Supplementary kit to fix the CaravanStore on Hobby caravans, 2009 production, edition 6.



Quantity / Length

Item No.

Kit Hobby CaravanStore

-

98655-034

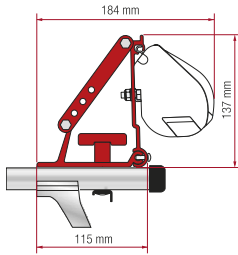


# F35pro / Compass

## KIT AUTO



Installation on Roof Rails



Quantity / Length

Item No.

Kit Auto

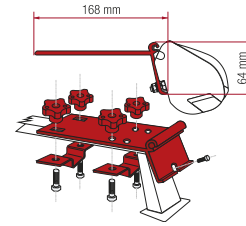
2 x 8 cm

98655-310

## • KIT STANDARD



Installation on Roof Rails



Quantity / Length

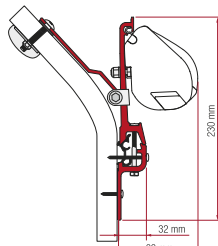
Item No.

Kit Standard

2 x 8 cm

98655-142

## KIT ERIBA TOURING



Quantity / Length

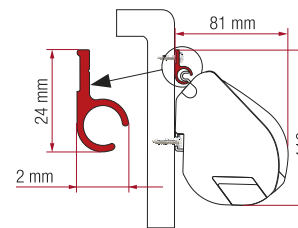
Item No.

Kit Eriba Touring

2 x 8 cm

986552009

## RAIL



Quantity / Length

Item No.

Rail

1 x 300 cm

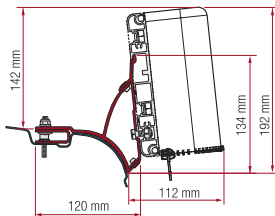
02361-01A

1 x 400 cm

02361-01C

# Compass

## KIT VW T5/T6 TRASPORTER / MULTIVAN COMPASS



Quantity / Length

Item No.

Kit VW T5/t6 Trasporter / Multivan Compass

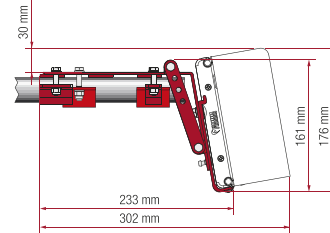
1 x 20 cm - 1 x 25 cm

986552018

## KIT ROOF RAIL



Rail max width 5,5cm  
Min. 2 Kits to install an awning



Quantity / Length

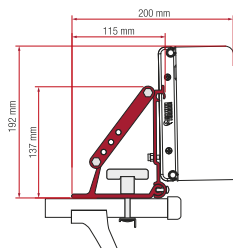
Item No.

Kit Roof Rail

1 x 12 cm

98655-770

## KIT AUTO



Quantity / Length

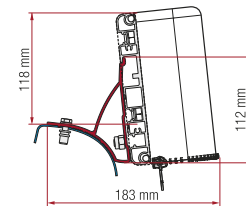
Item No.

Kit Auto

2 x 8 cm

98655-310

## KIT RENAULT TRAFIC



Quantity / Length

Item No.

Kit Renault Trafic ≥ 2001 ≤ 2015

986552031

Kit Renault Trafic ≥ 2015

2 x 16 cm

986552032

## PRELIMINARY CHECKS



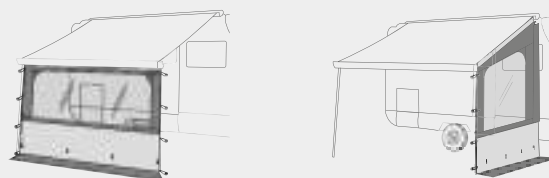
- The Installation instructions are delivered with the enclosure and, in addition, are available on [www.fiamma.com](http://www.fiamma.com) (on the product page and on “downloads / Installation instruction”)
- Check that nothing has been damaged or deformed during transport.
- The assembly of the product must be carried out according to the assembly instructions: the product must not be modified in any way. All of our privacy enclosures are made to a high quality standard.
- To avoid stains, check that there are no trees above the enclosure that can deposit resin

## HOW TO CHOOSE THE RIGHT ENCLOSURES

### TYPE OF VEHICLE



### TYPE OF PANEL



Front panel

Side panel

### PROTECTION



Sun protection



Rain protection



Wind protection

## MAINTENANCE INSTRUCTIONS



- Store the panel only if it is dry and possibly clean.
- The remaining humidity could cause stains. If you are forced to close it when it is still wet, after max. 12 hours reopen it to make it dry.
- Most of the dirt is superficial and can be removed with clean water and a cloth or a brush.
- If the fabric is very dirty, add some light cleaning detergent (Marseille soap). Any residual detergent on the fabric must be carefully rinsed.
- Be aware never to use any aggressive chemical substances and never to clean the fabric with a high pressure machine.
- Windows in transparent PVC: don't use detergents which contain alcohol or solvents.
- Wash it only with hot water and soft cloth.

### CLEANING

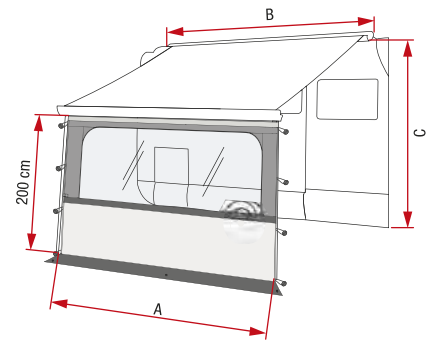




# Blocker Pro

## GENERAL INFORMATION

- Length: ± 100 - ± 513 cm
- Awning length: 250-550cm
- Colours: grey and deep grey with crystal window
- Available for: F45s - F45L - F70 - F80s - F65s - F65L - F40van - CaravanStore/XL - F35Pro
- Available also on any awning with rail on the front



## TECHNICAL FEATURES

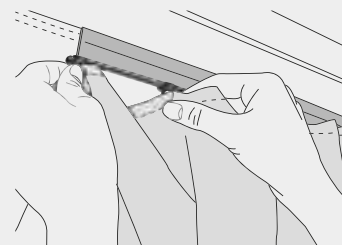
- Front panel made of anti-rot vinyl, washable fabric with UV protection
- Large full light Crystal window and vinyl extension to the floor
- Delivered as standard with: elastic hooks and pegs



The table below shows the number of Curtains Kits (optional-2 curtains for each Kit) required for each Blocker Pro.

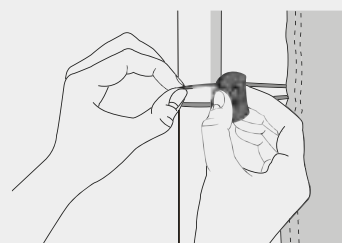
Curtains Kit - Item No. 98655A484			
Description	Item No.	Curtains Kits	Number of curtains to use
Blocker Pro 100	07971-12-	-	-
Blocker Pro 250	07971-01-	1	2
Blocker Pro 260 Van	07971A01-	1	2
Blocker Pro 280	07971-02-	1	2
Blocker Pro 300	07971-03-	2	3
Blocker Pro 350	07971-04-	2	3
Blocker Pro 375	07971-05-	2	3
Blocker Pro 400	07971-06-	2	3
Blocker Pro 425	07971-07-	2	4
Blocker Pro 440	07971-08-	2	4
Blocker Pro 450	07971-09-	2	4
Blocker Pro 500	07971-10-	2	4
Blocker Pro 550	07971-11-	2	4

### PROFILE FOR INSERTION OF THE CURTAINS



The internal part of the front panel is equipped as standard with a profile that allows the insertion of the curtains (optional).

### LEG FIXING SYSTEM



Practical, safe and quick

Description	F45s	F45L	F70	F80s	F65s	F65L	F40 van	CS / XL	F35 pro	Length A	Minimum awning length B	Weight	Item No.	EAN Code
Blocker Pro 100*	•	•	•	•	•	•		•	•	± 100 cm	250 cm	1,2 kg	07971-12-	8004815402709
Blocker Pro 250	•							•	•	± 235 cm	250 cm	2,7 kg	07971-01-	8004815384548
Blocker Pro 260**	•						•		•	± 250 cm	260 cm	2,7 kg	07971A01-	8004815384555
Blocker Pro 280				•	•			•	•	± 255 cm	270 cm	3,0 kg	07971-02-	8004815384562
Blocker Pro 300	•							•	•	± 285 cm	300 cm	3,2 kg	07971-03-	8004815384579
Blocker Pro 350	•							•		± 335 cm	340 cm	3,8 kg	07971-04-	8004815384586
Blocker Pro 375	•			•	•					± 360 cm	370 cm	4,1 kg	07971-05-	8004815384593
Blocker Pro 400	•		•	•	•	•		•		± 385 cm	400 cm	4,5 kg	07971-06-	8004815384609
Blocker Pro 425	•			•						± 410 cm	425 cm	4,7 kg	07971-07-	8004815384616
Blocker Pro 440								•		± 415 cm	440 cm	4,9 kg	07971-08-	8004815384623
Blocker Pro 450	•	•	•	•						± 435 cm	450 cm	5,0 kg	07971-09-	8004815384630
Blocker Pro 500		•						•		± 463 cm	500 cm	5,5 kg	07971-10-	8004815384647
Blocker Pro 550		•						•		± 513 cm	550 cm	6,0 kg	07971-11-	8004815384654

• Suitable for

\*Blocker Pro 100 doesn't have Crystal window

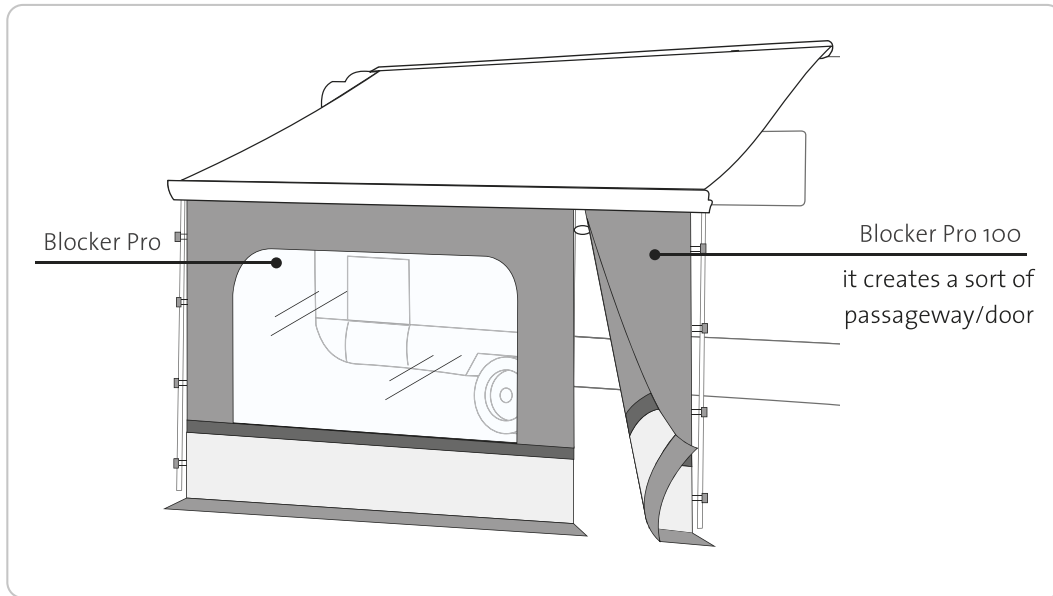
\*\* It's also suitable for Omnistor 5102 awning. On F40van S/N < 9453261 - A03 -701991 use Kit 08322-01-



# Blocker Pro



## EXAMPLE

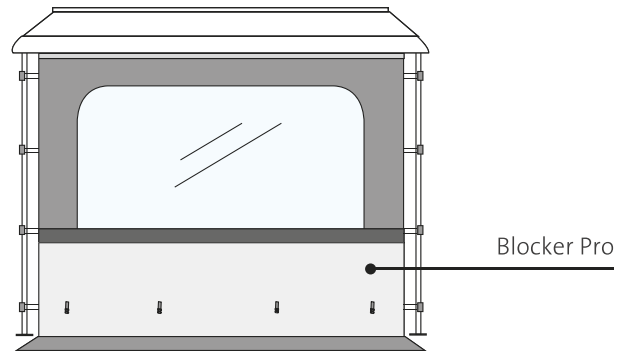


## PROPOSED BLOCKER PRO CONFIGURATION WITH BLOCKER PRO 100

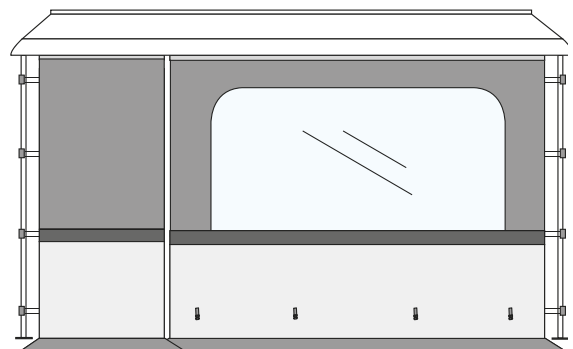
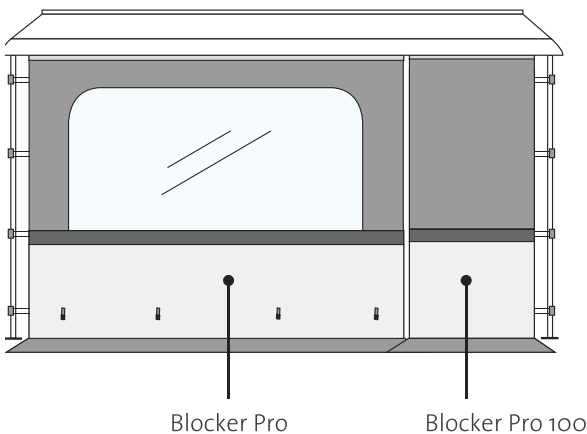
The following drawings illustrate configurations using Blocker Pro and Blocker Pro 100.

The feasibility of such configurations depends on the length of the awning itself.

## BLOCKER PRO

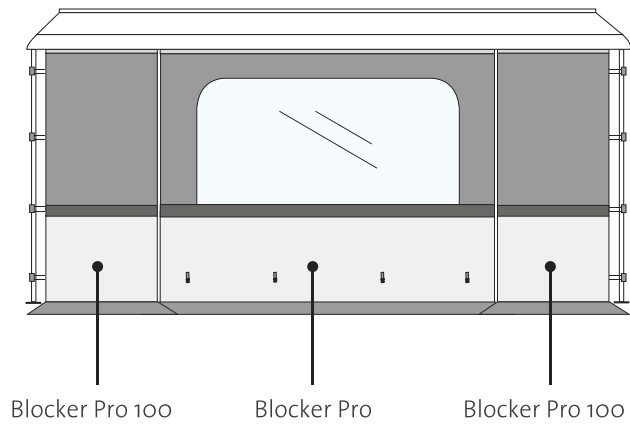


## BLOCKER PRO + 1 BLOCKER PRO 100

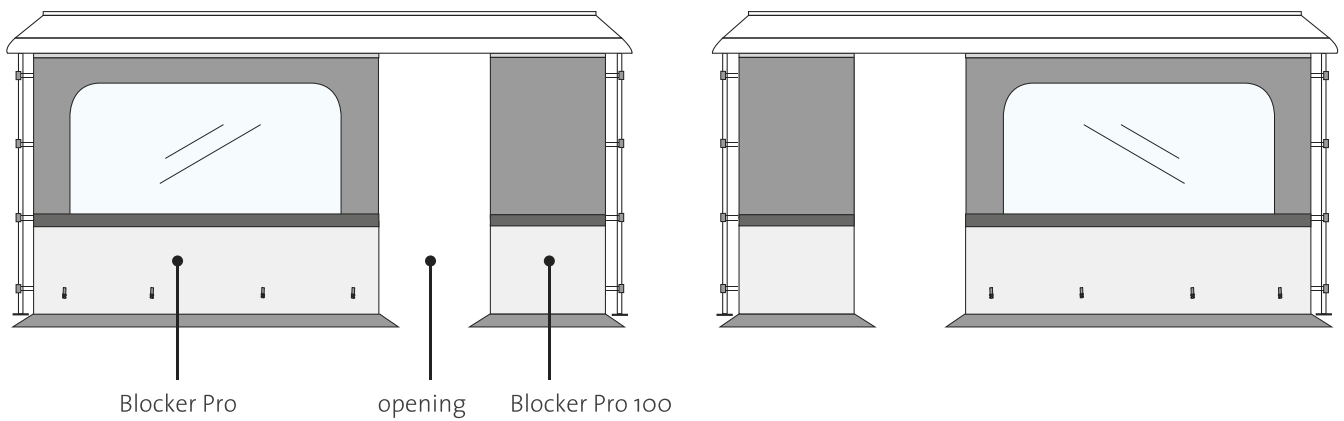




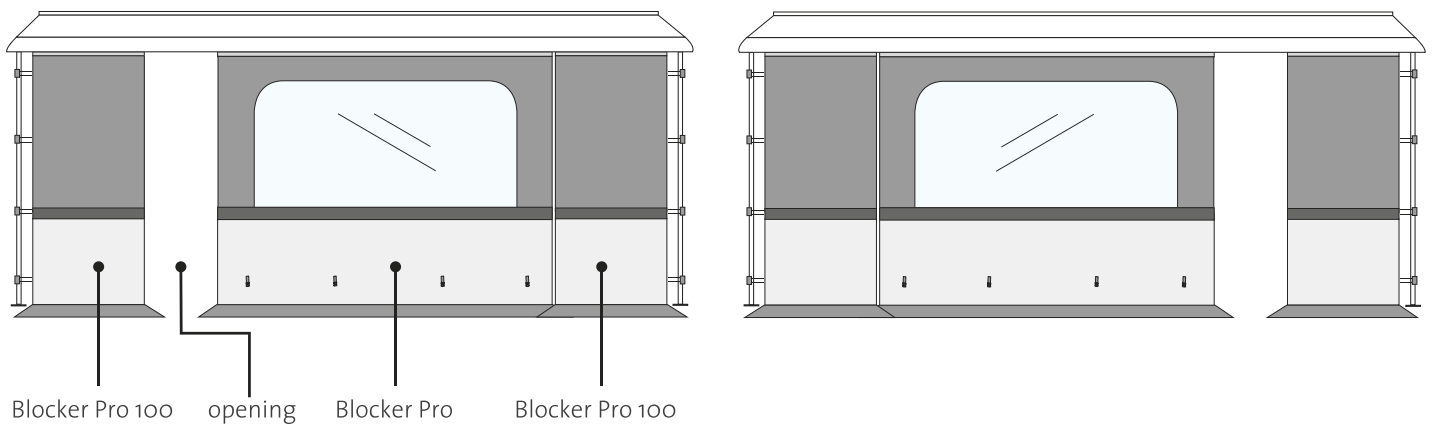
### BLOCKER PRO + 2 BLOCKER PRO 100



### BLOCKER PRO + BLOCKER PRO 100 + OPENING



### BLOCKER PRO + 2 BLOCKER PRO 100 + OPENING

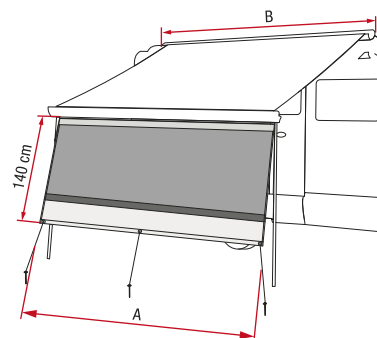




# Blocker

## GENERAL INFORMATION

- Length:  $\pm 253 - \pm 438$ cm
- Awning length: 260-450cm
- Colours: grey and deep grey
- Available for: F45s - F70 - F80s - F65s - F65L (only 400cm) CaravanStore/XL - F35pro
- Available also on any awning with rail on the front



## TECHNICAL FEATURES

- Front panel made of anti-rot vinyl, washable fabric with UV protection
- It protect from sun and rain
- Delivered as standard with: ropes and pegs



Description	F45s	F45L	F70	F80s	F65s	F65L	F40 van	CS / XL	F35 pro	Length A	Minimum awning length B	Weight	Item No.	EAN Code
Blocker 260*	•						•	•	•	$\pm 253$ cm	260 cm	2,3 kg	07972-04-	8004815402716
Blocker 300	•							•	•	$\pm 285$ cm	300 cm	2,6 kg	07972-01-	8004815384661
Blocker 350	•							•		$\pm 335$ cm	340 cm	2,9 kg	07972-02-	8004815384678
Blocker 400	•		•	•	•	•		•		$\pm 385$ cm	400 cm	3,3 kg	07972-03-	8004815384685
Blocker 450	•	•	•	•	•	•		•		$\pm 438$ cm	450 cm	4 kg	07972-05-	8004815402723

• Suitable for

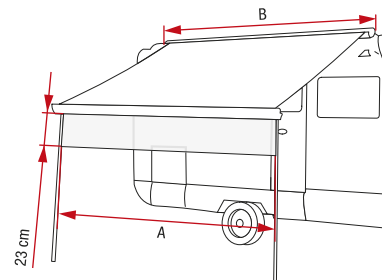
\*On F40van S/N < 9453261 - A03 -701991 use Kit 08322-01-



# Shade Sun View

## GENERAL INFORMATION

- Length: ± 550cm
- Awning length: 190-550cm
- Material: translucent light filtering
- Available for: F45s - F45L - F70 - F80s - F65s - F65L - CaravanStore/XL - F35pro
- Available also on any awning with rail on the front



## TECHNICAL FEATURES

- Made with translucent light filtering material
- Protects from sun and rain extending the shade surface



Easily adjustable to the length of the awnings.



Description	F45s F45L	F70	F65s F65L	F80s	F40van	Caravan- Store / XL	F35 pro	Length A	Minimum awning length B	Weight	Item No.	EAN Code
Shade Sun View	•	•	•	•	•	•	•	± 550 cm	190 cm	0,5 kg	07758-01-	8004815368777

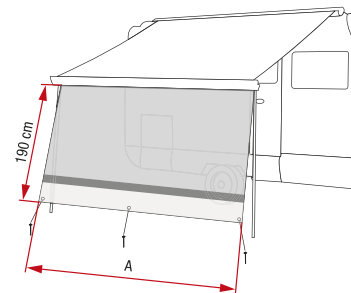
• Suitable for  
On F40van S/N < 9453261 - A03 -701991 use Kit 08322-01-



# Sun View XL

## GENERAL INFORMATION

- Length: ± 100 - ± 513 cm
- Awning length: 250-550cm
- Material: translucent light filtering
- Available for: F45s - F45L - F70 - F80s - F65s - F65L - CaravanStore/XL - F35pro
- Available also on any awning with rail on the front



## TECHNICAL FEATURES

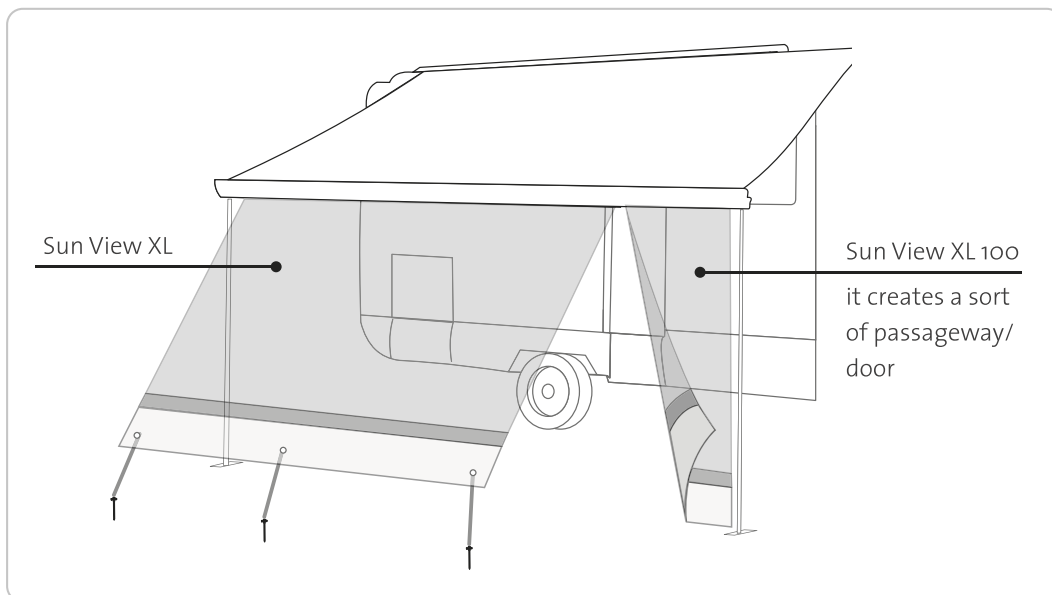
- Resistant mesh fabric with low elasticity that allows uniform tensioning of the panel
- Washable, flame retardant with UV protection treatment
- Lets the breeze in while keeping the sun out, without losing your view
- Can be rolled up thanks to useful fixing clips
- Delivered as standard with: ropes and pegs



Description	F45s	F45L	F70	F80s	F65s	F65L	F40 van	CS / XL	F35 pro	Length A	Minimum awning length B	Weight	Item No.	EAN Code
Sun View XL100*	•	•	•	•	•	•	•	•	•	± 100 cm	250 cm	0,9 kg	08184-01-	8004815402501
Sun View XL260*	•						•		•	± 250 cm	250 cm	1,9 kg	08184-02-	8004815402518
Sun View XL300	•							•	•	± 285 cm	300 cm	2,1 kg	08184-03-	8004815402525
Sun View XL350	•							•		± 335 cm	340 cm	2,3 kg	08184-04-	8004815402532
Sun View XL375	•			•	•					± 360 cm	370 cm	2,4 kg	08184-05-	8004815402549
Sun View XL400	•		•	•	•	•		•		± 385 cm	400 cm	2,5 kg	08184-06-	8004815402556
Sun View XL425	•			•						± 410 cm	425 cm	2,6 kg	08184-07-	8004815402563
Sun View XL450	•	•	•	•		•				± 435 cm	450 cm	2,7 kg	08184-08-	8004815402570
Sun View XL500		•						•		± 465 cm	500 cm	2,9 kg	08184-09-	8004815402587
Sun View XL550		•						•		± 513 cm	550 cm	3,1 kg	08184-10-	8004815402594

• Suitable for  
\*On F40van S/N < 9453261 - A03 -701991 use Kit 08322-01-

## EXAMPLE



Installation



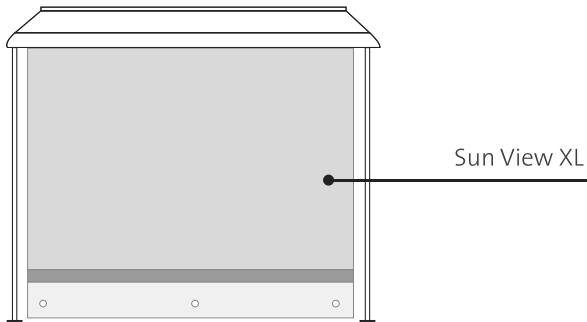




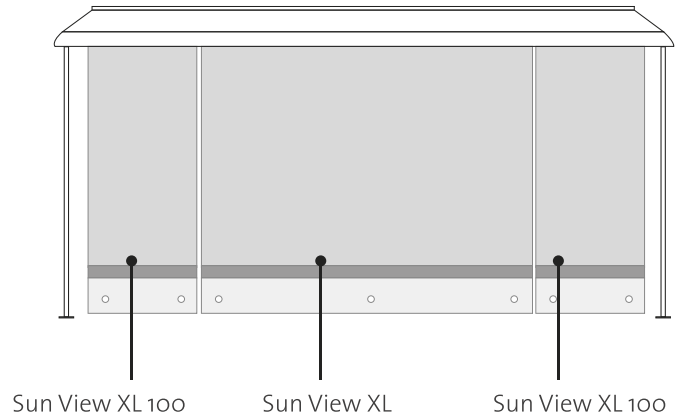
## PROPOSED SUN VIEW XL CONFIGURATION WITH SUN VIEW 100

The following drawings illustrate configurations using Sun View XL and Sun View XL 100. The feasibility of such configurations depends on the length of the awning itself.

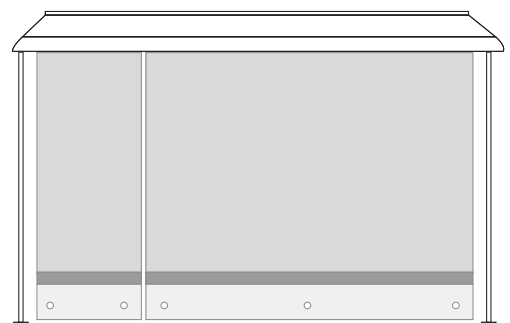
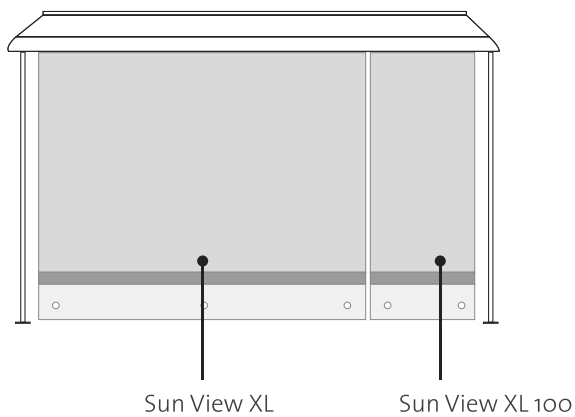
### SUN VIEW XL



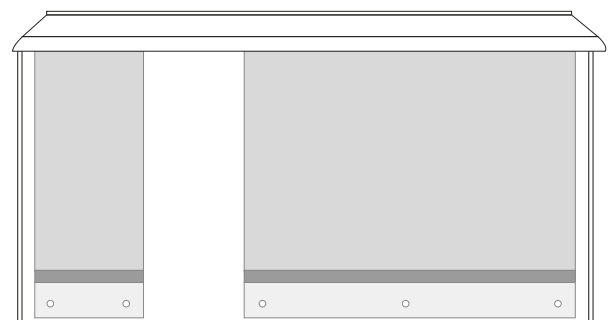
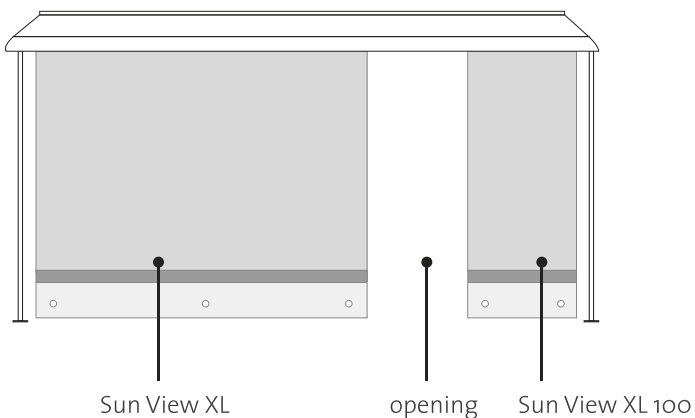
### SUN VIEW XL + 2 SUN VIEW XL 100



### SUN VIEW XL + SUN VIEW XL 100



### SUN VIEW XL + SUN VIEW XL 100 + OPENING

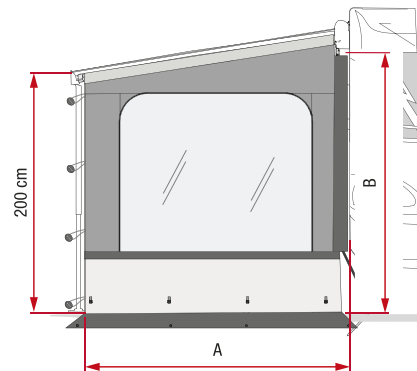




# Side W Pro

## GENERAL INFORMATION

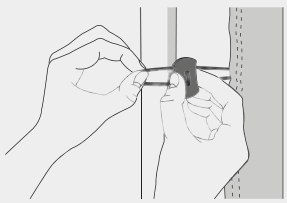
- Awning extension: 200-250cm
- Mounting height: 180-330cm
- Colours: grey and deep grey with crystal window
- Available for:  
F45s - F45L - F70 - F80s - F65s - F65L - F40van - CaravanStore/XL - F35pro
- Also available for:  
F50Pro - F55Pro - F45i - F45iL - F45Ti - F45TiL - F65Top - F65



## TECHNICAL FEATURES

- Side panel made of anti-rot vinyl, washable fabric with UV protection
- Equipped with one large full light Crystal window and grey extension to the ground
- Can be installed on both the right and left sides
- Delivered as standard with: aluminium tension rafter elastic hooks and pegs

### LEG FIXING SYSTEM



Practical, safe and quick.



Description	Kit standard	Kit optional	Length A	Height from ground B	Weight	Item No.	EAN Code
Side W Pro F45 / F70 / F65 / F80	1-2	3-4-5-6 -7-8	230 cm	225-280 cm	4,2 kg	07973-01-	8004815384715
Side W Pro XXL F45 / F70 / F65 / F80	1-2	3-4-5-6 -7-8	230 cm	280-330 cm	4,5 kg	07973B01-	8004815384739
Side W Pro Van F45*	1	-	190 cm	180-200 cm	3,4 kg	07973A01-	8004815384722
Side W Pro F65 / F80 Ducato	3-4	-	230 cm	225-280 cm	4,2 kg	07974-01-	8004815384746
Side W Pro F40van	-	-	210 cm	180-210 cm	3,5 kg	07979-01-	8004815384845
Side W Pro CaravanStore / F35	-	-	210 cm	240-260 cm	4,5 kg	07977-01-	8004815384777
Side W Pro CaravanStore XL	-	-	240 cm	240-260 cm	4,8 kg	07977B01-	8004815384791
Side W Pro F35 Van	-	-	210 cm	180-220 cm	4,2 kg	07977A01-	8004815384784

\* Suitable also to the awning Omnistor 5102

Check the distance B between the ground and the fixing point of awning

Description Kit	Number
98655-563 - F50Pro / F55Pro / F45 i / F45iL / F45Ti / F45	1
98655-564 - F45TiL / F45L	2
98655-073 - F65 Top / F65 / F65s / F65L	3
98661-017 - F80s	4
98661-001 - F70	5
98655-311 - Omnistor - Thule 5002/5003	6
98655-079 - Tristor	7
98655-927 - Omnistor - Thule 4900 / 5200 / Tristor²	8

Installation  
F45s VW T5/T6  
F45Ti VW T5/T6



Installation

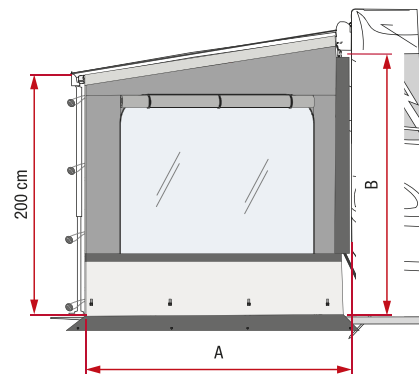




# Side W Pro Shade

## GENERAL INFORMATION

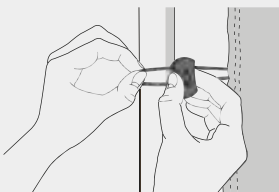
- Awning extension: 230cm
- Mounting height: 225-280cm
- Colours: grey and deep grey with crystal window
- Available for:  
F45s - F45L - F70 - F80s - F65s - F65L



## TECHNICAL FEATURES

- Side panel made of anti-rot vinyl, washable fabric with UV protection
- Equipped with one large full light Crystal window with roller blind and grey extension to the ground
- Can be installed on both the right and left sides
- Delivered as standard with: aluminium tension rafter and elastic hooks and pegs

### LEG FIXING SYSTEM



Practical, safe and quick.



Description	F45s F45L	F70	F80s F65s / 65L	Length A	Height from ground B	Weight	Item No.	EAN Code
Side W Pro Shade F45 / F70 / F65 right	•	○	○	230 cm	225-280 cm	07975-01-	5,3 kg	8004815384753
Side W Pro Shade F45 / F70 / F65 left	•	○	○	230 cm	225-280 cm	07976-01-	5,3 kg	8004815384760

- Suitable for
- Suitable with the use of Kit Side

Description Kit	Number
98655-563 - F50Pro / F55Pro / F45 i / F45iL / F45Ti / F45	1
98655-564 - F45TiL / F45L	2
98655-073 - F65 Top / F65 / F65s / F65L	3
98661-017 - F80s	4
98661-001 - F70	5
98655-311 - Omnistor - Thule 5002/5003	6
98655-079 - Tristor	7
98655-927 - Omnistor - Thule 4900 / 5200 / Tristor <sup>2</sup>	8

Installation

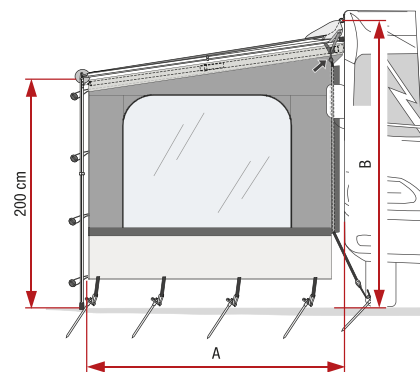




# Side W CaravanStore

## GENERAL INFORMATION

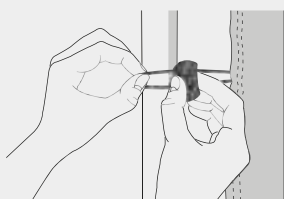
- Length: 210-240cm
- Awning length: 240-260cm
- Colours: grey and deep grey with crystal window
- Available for: CaravanStore/XL - F35pro



## TECHNICAL FEATURES

- Side panel made of anti-rot vinyl, washable fabric with UV protection
- Equipped with one large full light Crystal window
- Can be installed on both the right and left sides
- Delivered as standard with: aluminium tension rafter elastic hooks and pegs

### LEG FIXING SYSTEM



Practical, safe and quick.



Description	CaravanStore / XL	F35 pro	Length A	Height from ground B	Weight	Item No.	EAN Code
Side W CaravanStore / F35	•	•	210 cm	240-260 cm	3,9 kg	07978-01-	8004815384807
Side W CaravanStore XL	•		240 cm	240-260 cm	4,2 kg	07978A01-	8004815384814

• Suitable for

Installation

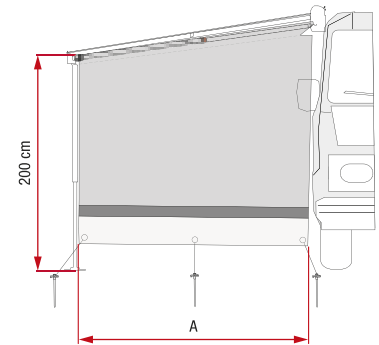




# Sun View Side

## GENERAL INFORMATION

- Length: 210-240cm
- Awning length: 180-260cm
- Material: translucent light filtering
- Available for:  
F45s - F45L - F70 - F80s - F65s - F65L - CaravanStore/XL - F35pro



## TECHNICAL FEATURES

- Made with translucent light filtering material
- Can be installed on both the right and left sides
- It blocks partially the light
- Lets the breeze in while keeping the sun out, without losing your view
- Delivered as standard with: aluminium tension rafter, ropes and pegs



Description	Kit standard	Kit optional	Length A	Height from ground B	Weight	Item No.	EAN Code
Sun View Side F45 / F70 / F65 / F80	1-2	3-4-5-6-7-8	230 cm	220-260 cm	1,4 kg	08185-01-	8004815402679
Sun View Side CaravanStore/F35	-	-	210 cm	180-260 cm	1,3 kg	08186-01-	8004815402686
Sun View Side CaravanStore XL	-	-	240 cm	180-260 cm	1,7 kg	08186A01-	8004815402693

Description Kit	Number
98655-563 - F50Pro / F55Pro / F45 i / F45iL / F45Ti / F45	1
98655-564 - F45TiL / F45L	2
98655-073 - F65 Top / F65 / F65s / F65L	3
98661-017 - F80s	4
98661-001 - F70	5
98655-311 - Omnistor - Thule 5002/5003	6
98655-079 - Tristor	7
98655-927 - Omnistor - Thule 4900 / 5200 / Tristor <sup>2</sup>	8

Installation CStore/XL/F35pro



Installation F45/F70/F65/F80



## PRELIMINARY CHECKS



- The Installation instructions are delivered with the enclosure and, in addition, are available on [www.fiamma.com](http://www.fiamma.com) (on the product page and on “downloads / Installation instruction”)
- Check that nothing has been damaged or deformed during transport.
- The assembly of the product must be carried out according to the assembly instructions: the product must not be modified in any way. All of our privacy enclosures are made to a high quality standard.
- Check if the connections to the vehicle are sufficiently clean, Sand, dust or dirt could cause damage to the vehicle. When you stay somewhere for a long period, clean the enclosure occasionally.
- To avoid stains, check that there are no trees above the enclosure that can deposit resin

## HOW TO CHOOSE THE RIGHT ENCLOSURES

### TYPE OF VEHICLE



### EASY INSTALLATION



### RECOMMENDED SEASON



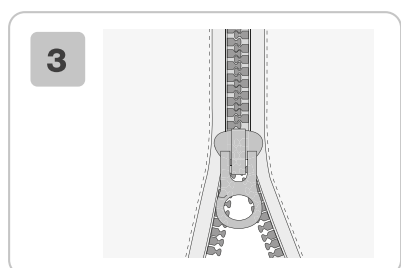
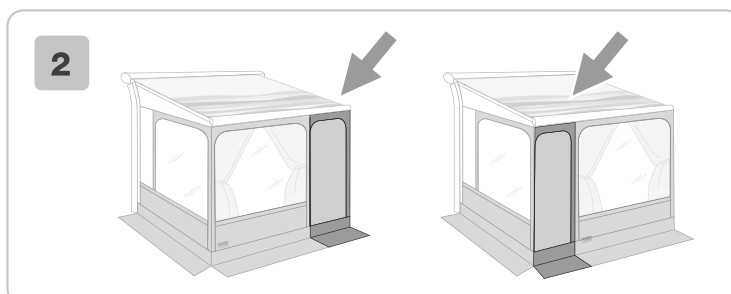
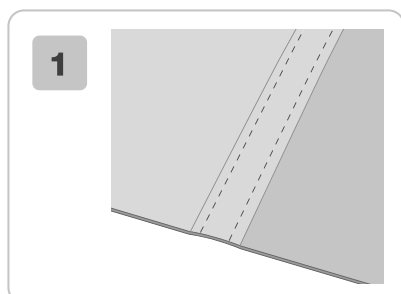
suitable



not suitable

## ADVANTAGES

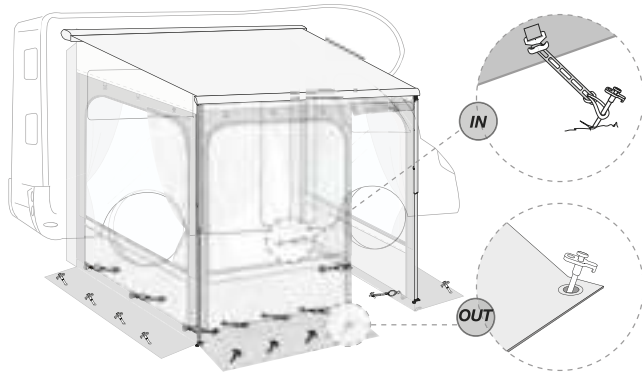
- Resistant riveted seams (commonly called “jeans”) that prevent water from entering the Privacy in case of rain (1).
- The door can be positioned on the left side of the front or on the right side of the front, thanks to the interchangeable zip (2).
- The connection between front and side panel is simple and comfortable, thanks to the zip closure (3).



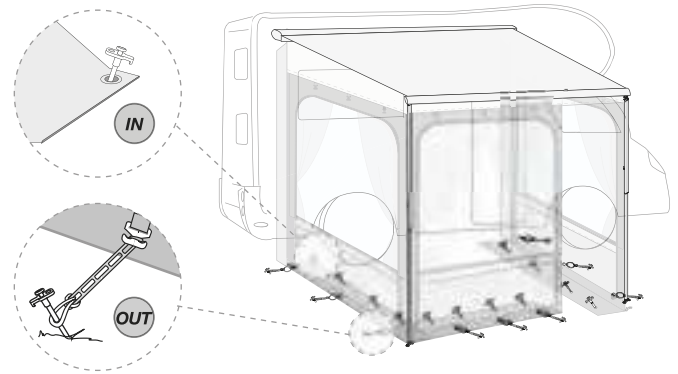
## INSTALLATION

- We suggest 2 people install the enclosure, for an easy setup.
- Open the awning max. 1 meter and lower the support legs.
- Read the installation instructions of the enclosure model
- Before tapping pegs and pins, close the windows fastening them to the velcro at the bottom. Always use a 45° angle when inserting the pegs and pins into the ground.

OPTION 1



OPTION 2



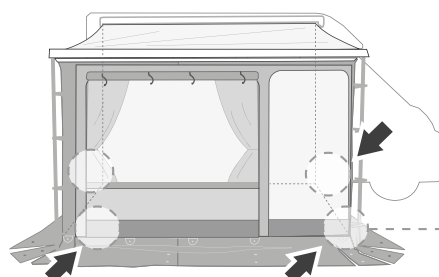
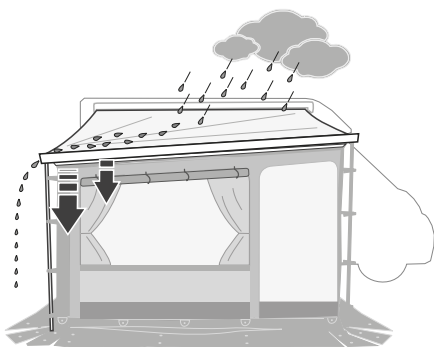
## MAINTENANCE INSTRUCTIONS



- The formation of condensation water inside of the enclosure is due to differences between external and internal temperature. It can be reduced by creating a good ventilation.
- Store the Privacy closure only if it is dry and possibly clean. The remaining humidity could cause stains. If you are forced to close it when is still wet, after max. 12 hours reopen it to make it dry.
- Most of the dirt is superficial and can be removed with clean water and a cloth or a brush. If the fabric is very dirty, add some light cleaning detergent (Marseille soap). Any residual detergent on the fabric must be carefully rinsed. Be aware never to use any aggressive chemical substances and never to clean the fabric with a high pressure machine.
- Windows in transparent PVC: don't use detergents which contain alcohol or solvents. Wash it only with hot water and soft cloth.
- Zippers: Subjected to continuous stress and wear. Open and close gently and slowly without tearing, avoiding excessive effort during fixing to the ground. Keep them sliding using a normal zipper spray.
- Curtains: Wash at 30 ° C with mild detergent. Accessories for curtains, hooks, eyelets and windscreens are items subject to wear. The duration depends on the stresses to which they are exposed.

## SAFETY INSTRUCTIONS

- In case of rain we recommend to lower a pole to allow the water to flow
- When communicating with Fiamma, always refer to the data on the nameplate, sewn on each panel of the Privacy.






Fiamma Awnings		Enclosures							
Model	Year	Privacy Room	Privacy Room Light	Privacy Room Ultra Light	Room Van Premium / Room Van	Privacy Room CS Light /XL	Fiamma ZIP	CaravanStore ZIP XL	
F50 Pro / F55 Pro	1996 / 2002								
F1 / F1 L on base F45i/iL	2001 / 2006	•	•	•					
F45i / F45i L	2003 / 2007	•	•	•					
F65 Top	2000 / 2006	•	•	•					
F1 Ti	2007 / 2008	•	•	•					
F45 Ti / F45 Ti L	2008 / 2011	•	•	•			•		
F65s	2009 / 2018	•		•					
F65L / F65L 2017	2013 / 2019	•		•					
F45s	> 2011	•	•	•			•		
F45L	> 2012	•		•			•		
F40van	> 2017				•				
F80	> 2019	•	•	•					
F70	> 2016	• *	• * (**)	•					
F35pro	> 2005					•			
CaravanStore	> 2005					•		•	
CaravanStore XL	> 2017					•		•	

\* F70 with Kit Optional Item No. 98661-002 (\*\* ) only for 400 cm

The following awning models are not compatible with Privacy enclosures: Automatic Box /Electra - F45 Classic - F45 Deluxe S / Deluxe L - F45 Elegance XL S / XL L - F45 Plus / Plus L - F60 - F35pro < 2004 - CaravanStore < 2004

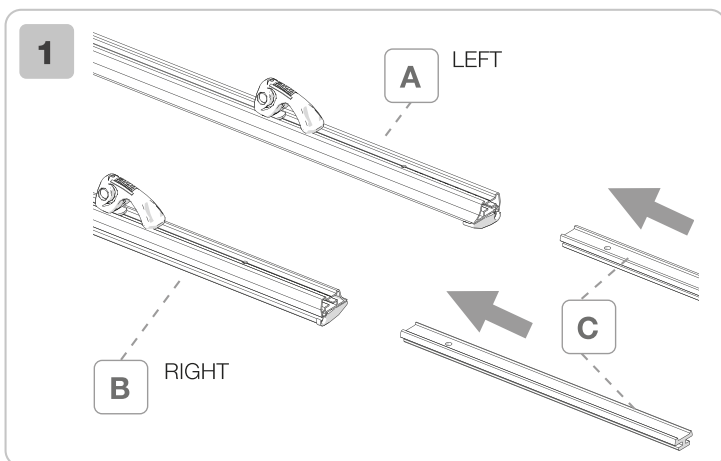
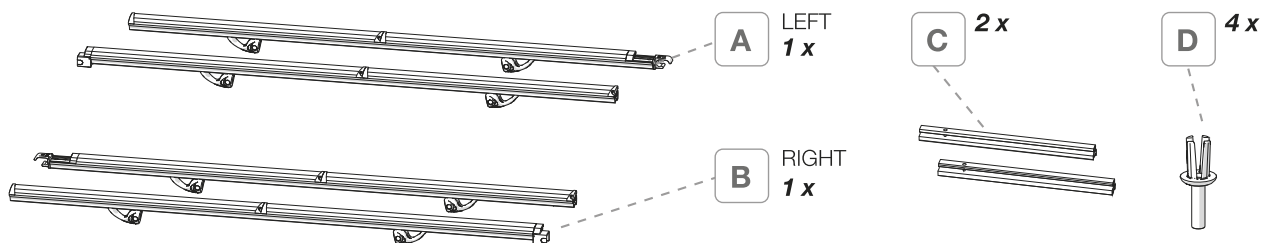


Adaptability of Vehicles				Features								
				Installation time	Fabric	Installation height	Structure	Front window	Side windows	Bag	Curtains	Wind protection
Privacy Room	•	•	•	15 min.	Vinyl	180-280cm	Fast Clip + Poles Light	Crystal with transparent opening and mosquito net	Crystal with transparent opening and mosquito net	Mega Bag included	Curtains for all windows delivered as standard	Optional available
Privacy Room Light	•	•	•	15 min.	Polyester	180-280cm	Fast Clip Light	Crystal with transparent opening and mosquito net	with roller blind and mosquito net	Mega Bag Light included	Curtains for front windows delivered as standard	Optional available
Privacy Ultra Light	•	•	•	5 min.	Ripstop Polyester	180-280cm	Rafter (standard)	Fixed, removable front panel	with roller blind and mosquito net	Mega Bag or Mega Bag Light included	Curtains for front windows delivered as standard	Optional available
Room Van Premium			•	5 min.	Ripstop Polyester	180-210cm	-	Crystal with transparent opening and roller blind	with roller blind and mosquito net	Bag Room Van included	-	-
Room Van			•	5 min.	Ripstop Polyester	180-210cm	-	Crystal with transparent opening and roller blind		Bag Room Van included	-	-
Privacy Room CS Light Privacy Room CS Light XL		•	•	15 min.	Polyester	180-260 cm	Fast Clip CS	Crystal with transparent opening and mosquito net	with roller blind and mosquito net	Mega Bag Light included	Curtains for front windows delivered as standard	Optional available
Fiamma ZIP	•	•	•	10 min.	Vinyl	225-280 cm	Rapid Set + Poles Light	Crystal with transparent opening and mosquito net	Crystal with transparent opening and mosquito net	Mega Bag included	Curtains for all windows delivered as standard	Standard included
CaravanStore ZIP XL		•		10 min.	Vinyl	240-260 cm	Rapid Set CS ZIP XL + Poles Light	Crystal with transparent opening and mosquito net	Crystal with transparent opening and mosquito net	Mega Bag included	Curtains for all windows delivered as standard	Optional available

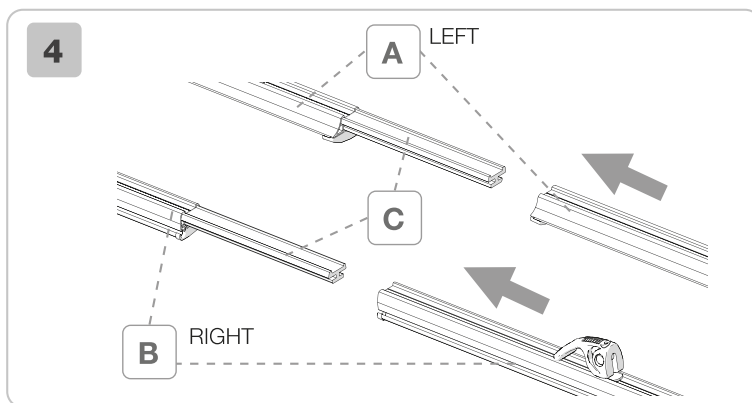
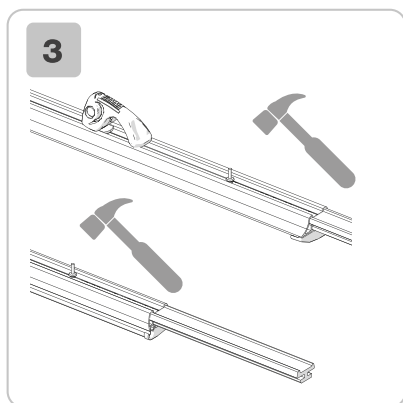
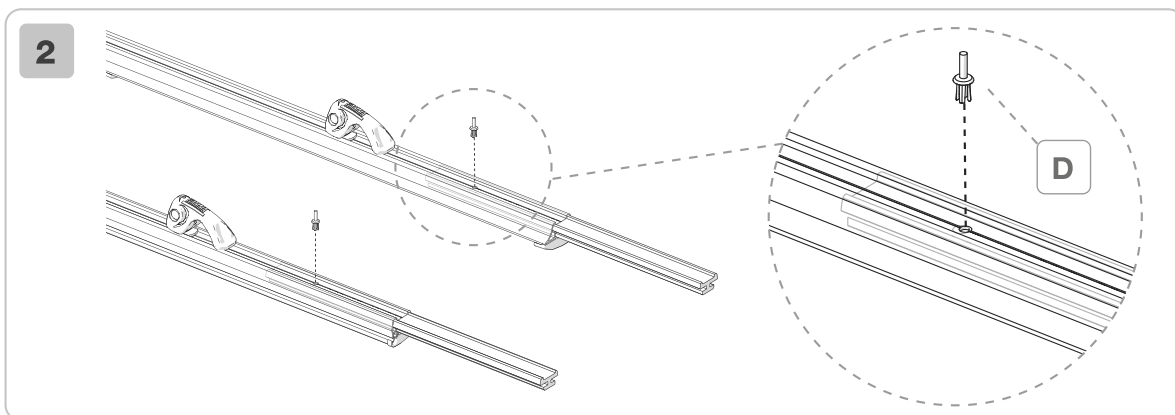
## FAST CLIP MOUNTING

- Privacy Room
- Privacy Room Light
- Privacy Room CS Light / XL

### FAST CLIP

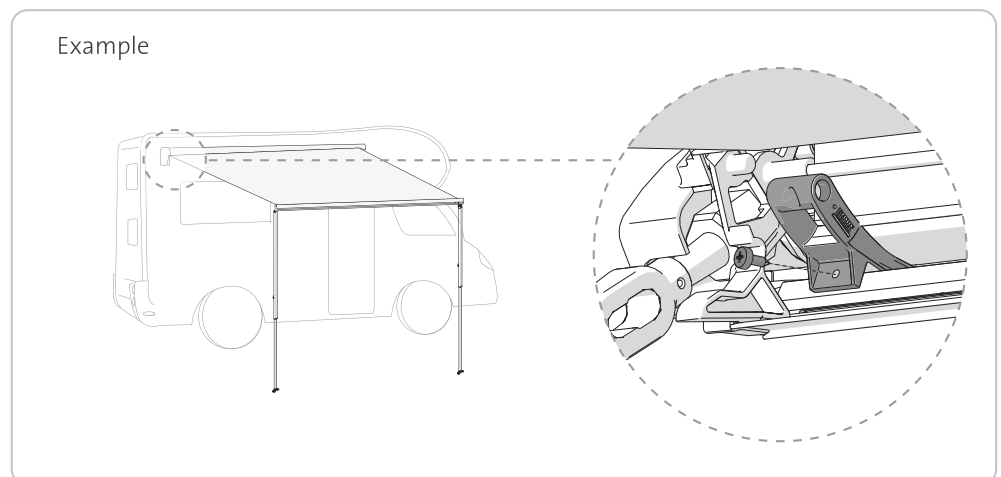
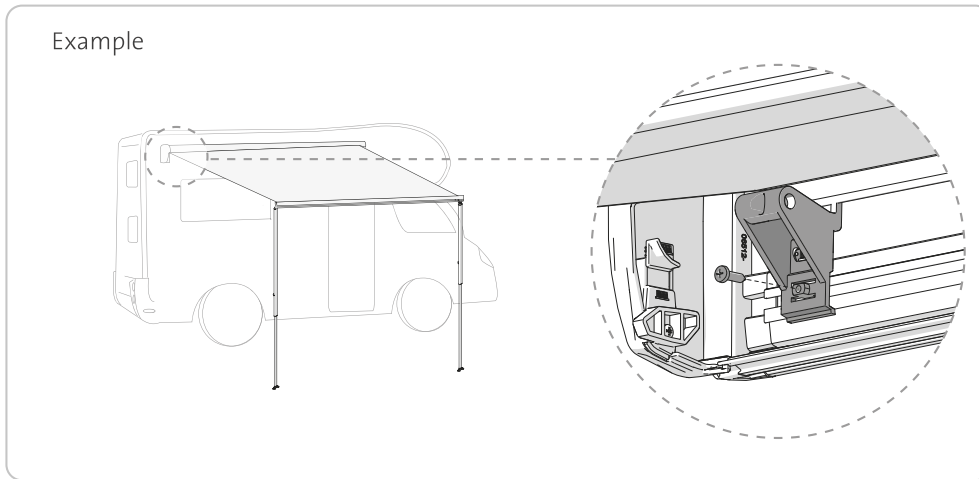


Fast Clip:  
lightweight and quick  
assembly, allows easy  
installation of Privacy.



## INSTALLATION KIT MOUNTING

- Install the Installation kit only the first time.
- It's not necessary remove the components when you close the awnings.
- Remove the components only for F70 awning.



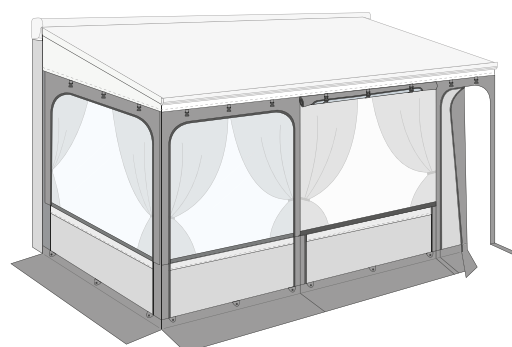
For Installation Kit available see page 147.



# Privacy Room

## GENERAL INFORMATION

- Awning length: 260-550cm
- Mounting height: 180-280cm
- Colours: white and grey
- Available for:  
F45s - F45L - F70 - F80s - F65s - F65L
- Also available for:  
F45i - F45iL - F45Ti - F45TiL - F65Top - F65



## TECHNICAL FEATURES

- The side panels are quickly put together to the canopy thanks to the exclusive patented Fast Clip system
- The model for F80/F65s is suitable for roof awnings F80s, F65s and F65L only if installed on Fiat Ducato, Citroën Jumper and Peugeot Boxer after 06/2006 or Caravan
- It also fits perfectly to the Omnistor 5002, 5003, 4900 and Tristor<sup>2</sup>
- All three windows (both side and front) use the roll-up Crystal panel, and are equipped with mosquito nets and shades as standard equipment
- The additional panels have a fixed Crystal panel and shades as standard equipment. They are all equipped with a velcro strip at the top to hold the window securely closed
- Fast Clip is equipped with lever hooks for easy and quick installation
- UV resistant, waterproof and washable vinyl fabric
- The door can be mounted on either the left front hand side or on the right front hand side
- 3 heights are available: Van [S], Medium [M], Large [L]

## DELIVERED AS STANDARD WITH:

- 1x front panel with door and roll-up Crystal window with mosquito net
- 2x side panels with roll-up Crystal windows with mosquito net
- 1x curtain kit for all the windows of the enclosure
- 1x Fast Clip installation kit (2+2 aluminium tension poles)
- 1x Kit elastic ropes with quick hooks
- 1x Mega Bag, dim. 140x27x40cm



PR - F45



PR - F65

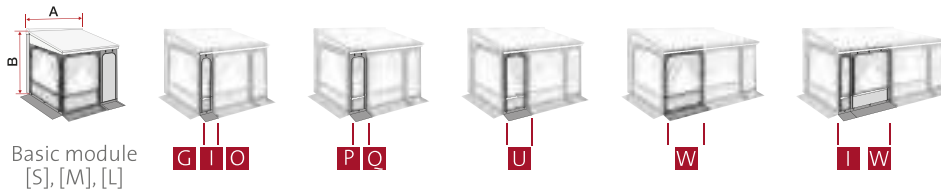
Installation  
Van 260Installation  
F45Installation  
F65-F80

## + ACCESSORIES

- Tie Down S
- Curtains Kit Smoke
- Mosquito Net Door
- Pack Organizer
- Pack Organizer Privacy
- Privacy Kit Rail
- Skirting Motorhome
- Skirting Caravan
- Skirting Ducato
- Skirting VW T5/T6
- Rain Caps F45
- Door Pole
- Kit Magic Privacy Front (for awnings from 260 to 360 and 450cm)
- Kit Magic privacy Side



## Privacy Room F45



Basic module	Weight	Item No.	EAN code
P. Room Van 260 - Van	23,7 kg	[S] 08366-01-	8004815413880
P. Room 300 - Medium	24,4 kg	[M] 08366A01-	8004815413903
P. Room 300 - Large	24,7 kg	[L] 08366B01-	8004815413910

Front panels	Weight	Item No.	EAN code
Van 40 cm	0,42 kg	<b>G</b> 08367-01-	8004815413897
50 cm	0,66 kg	<b>I</b> 08364B01-	8004815413767
75 cm	0,75 kg	<b>O</b> 08364D01-	8004815413781
100 cm	0,94 kg	<b>P</b> 08364E01-	8004815413798
125 cm	1,2 kg	<b>Q</b> 08364F01-	8004815413804
150 cm	1,4 kg	<b>U</b> 08364H01-	8004815413828
200 cm	1,9 kg	<b>W</b> 08364M01-	8004815413842

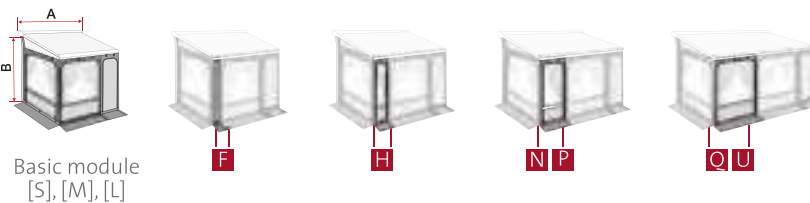
Description	Awning length A	Basic module B	Composition
Privacy Room Van 260*	260 cm	Van [S]	[S]
Privacy Room Van 300**	300 cm	180-220 cm	[S] + <b>G</b>
P. Room 300 Medium***	300 cm	Medium [M] 225-250 cm	[M]
P. Room 350 Medium	350 cm		[M] + <b>I</b>
P. Room 375 Medium	375 cm		[M] + <b>O</b>
P. Room 400 Medium	400 cm		[M] + <b>P</b>
P. Room 425 Medium	425 cm		[M] + <b>Q</b>
P. Room 450 Medium	450 cm		[M] + <b>U</b>
P. Room 300 Large***	300 cm	Large [L] 251-280 cm	[L]
P. Room 350 Large	350 cm		[L] + <b>I</b>
P. Room 375 Large	375 cm		[L] + <b>O</b>
P. Room 400 Large	400 cm		[L] + <b>P</b>
P. Room 425 Large	425 cm		[L] + <b>Q</b>
P. Room 450 Large	450 cm		[L] + <b>U</b>
P. Room 500 Large	500 cm		[L] + <b>W</b>
P. Room 550 Large	550 cm		[L] + <b>I</b> + <b>W</b>

\*not suitable for Thule 5120 awning

\*\* For awnings F45s 300 VW T5/T6 long wheelbase use Front Panel Van 40 and Privacy Room 260 Van.

\*\*\*The Privacy Room 300 is not suitable for 290 awnings.

## Privacy Room F65 / F80



Basic module	Weight	Item No.	EAN code
P. Room 300 Ducato >06	23,2 kg	[S] 08368-01-	8004815414023
P. Room 300 / H: 245-280 **	23,2 kg	[M] 08368B01-	8004815414153
P. Room 300 H3 *	24 kg	[L] 08368A01-	8004815414146

Front panels	Weight	Item No.	EAN code
20 cm	0,34 kg	<b>F</b> 08364-01-	8004815413743
40 cm	0,57 kg	<b>H</b> 08364A01-	8004815413750
70 cm	0,69 kg	<b>N</b> 08364C01-	8004815413774
100 cm	0,94 kg	<b>P</b> 08364E01-	8004815413798
125 cm	1,2 kg	<b>Q</b> 08364F01-	8004815413804
150 cm	1,4 kg	<b>U</b> 08364H01-	8004815413828

Description	Awning length A	Basic module B	Composition
P. Room 300 Ducato >06/06	300 cm	Van [S] 245 cm	[S]
P. Room 320 Ducato >06/06	320 cm		[S] + <b>F</b>
P. Room 340 Ducato >06/06	340 cm		[S] + <b>H</b>
P. Room 370 Ducato >06/06	370 cm		[S] + <b>N</b>
P. Room 400 Ducato >06/06	400 cm		[S] + <b>P</b>
P. Room 425 Ducato >06/06	425 cm		[S] + <b>Q</b>
P. Room 450 Ducato >06/06	450 cm	[S] + <b>U</b>	
P. Room 300 / H: 245-280	300 cm	Medium [M] 245-280 cm	[M]
P. Room 320 / H: 245-280	320 cm		[M] + <b>F</b>
P. Room 340 / H: 245-280	340 cm		[M] + <b>H</b>
P. Room 370 / H: 245-280	370 cm		[M] + <b>N</b>
P. Room 400 / H: 245-280	400 cm		[M] + <b>P</b>
P. Room 425 / H: 245-280	425 cm		[M] + <b>Q</b>
P. Room 450 / H: 245-280	450 cm	[M] + <b>U</b>	
P. Room 300 H3	300 cm	Large [L] 280 cm	[L]
P. Room 320 H3	320 cm		[L] + <b>F</b>
P. Room 340 H3	340 cm		[L] + <b>H</b>
P. Room 370 H3	370 cm		[L] + <b>N</b>
P. Room 400 H3	400 cm		[L] + <b>P</b>
P. Room 425 H3	425 cm		[L] + <b>Q</b>
P. Room 450 H3	450 cm	[L] + <b>U</b>	

\* Designed for Mercedes Sprinter, VW Crafter, Fiat Ducato, Citroën Jumper and Peugeot Boxer - H3, Fast Clip Light aluminium poles delivered as standard.

\*\* This model is suitable for vehicles with straight wall, height from ground 245-280cm.



# Privacy Room Light

## GENERAL INFORMATION

- Awning length: 260-425cm
- Mounting height: 180-280cm
- Colours: light grey
- Available for:  
F45s - F45L - F70  
F45T1 / T1L, F45i and F45i L  
Omnistor 5002, 5003, 4900 and Tristor<sup>2</sup>



## TECHNICAL FEATURES

- All windows have integrated mosquito nets, front window with roll-up Crystal panel, and side windows with roll-up blackout panel
- Fast Clip Light is equipped with lever hooks for easy and quick installation
- Made of durable weather resistant grey polyester
- The door can be mounted on either the left front hand side or on the right front hand side
- 3 heights available: Van [S], Medium [M], Large [L]

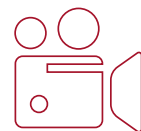
## DELIVERED AS STANDARD WITH:

- 1x Front panel with openable window and mosquito net
- 2x Side panels provided with roller blind and mosquito screens
- 1x Curtain kit for the window of the front panel
- 1x Fast Clip Light installation kit (2 aluminium poles)
- 1x Kit pegs for safe fixing to the ground
- 1x Kit elastic ropes with quick hooks
- 1x Mega Bag Light, dim. 140x25x25cm.



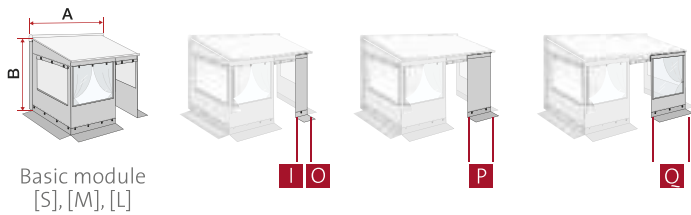
## THE LIGHT AND COMPACT FIAMMA ENCLOSURE FOR YOUR HOLIDAYS

The light version of the Privacy Room enclosure. Made of durable weather resistant grey polyester, that once folded, takes up little space and is really very light. Suitable for summer or mid-season. The front panel is made up of an opening window and a mosquito net, the two side panels are provided with opening window and mosquito net for a good ventilation.



## + ACCESSORIES

- Tie Down S
- Curtains Kit Smoke
- Rain Caps F45s
- Pack Organizer Privacy
- Skirting Motorhome
- Skirting Caravan
- Kit Poles Light
- Door Pole
- Kit Magic Privacy Front (for awning from 260 to 360 and 450cm)



Basic module  
[S], [M], [L]

Basic module	Weight	Item No.	Ean code
P. Room Van 260 -	12 kg	[S] 08362-01-	8004815413699
P. Room 300 - Medium	14,4 kg	[M] 08362A01-	8004815413705
P. Room 300 - Large	14,7 kg	[L] 08362B01-	8004815413712

Front panels	Weight	Item No.	Ean code
50 cm	0,6 kg	<b>I</b> 08361A01-	8004815413590
75 cm	0,68 kg	<b>O</b> 08361B01-	8004815413606
100 cm	0,8 kg	<b>P</b> 08361C01-	8004815413613
125 cm	0,9 kg	<b>Q</b> 08361D01-	8004815413620

Description	Awning length A	Basic module B	Composition
Privacy Room Van 260*	260 cm	Van [S] 180-220 cm	[S]
P. Room 300 Medium**	300 cm	Medium [M] 225-250 cm	[M]
P. Room 350 Medium	350 cm		[M] + <b>I</b>
P. Room 375 Medium	375 cm		[M] + <b>O</b>
P. Room 400 Medium	400 cm		[M] + <b>P</b>
P. Room 425 Medium	425 cm		[M] + <b>Q</b>
P. Room 300 Large	300 cm	Large [L] 251-280 cm	[L]
P. Room 350 Large	350 cm		[L] + <b>I</b>
P. Room 375 Large	375 cm		[L] + <b>O</b>
P. Room 400 Large	400 cm		[L] + <b>P</b>
P. Room 425 Large	425 cm		[L] + <b>Q</b>

\*not suitable for Thule 5120 awning

\*\*The Privacy Room Light 300 is not suitable for 290 awnings.

Installation  
PR Light



Installation  
PR Light Van

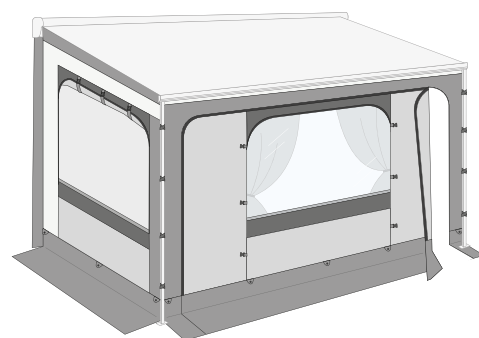




# Privacy Ultra Light

## GENERAL INFORMATION

- Length: 260-450cm
- Mounting height: 180-280cm
- Colours: light grey and grey
- Available for:  
F45s - F45L - F70 - F65s - F80s - F65L



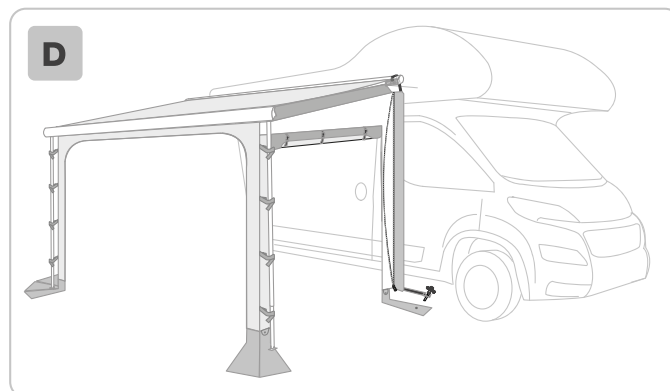
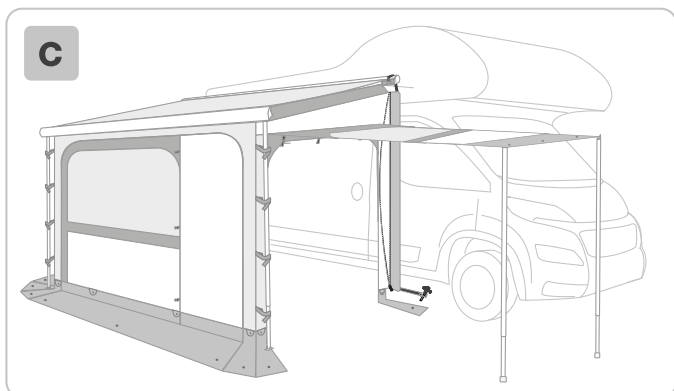
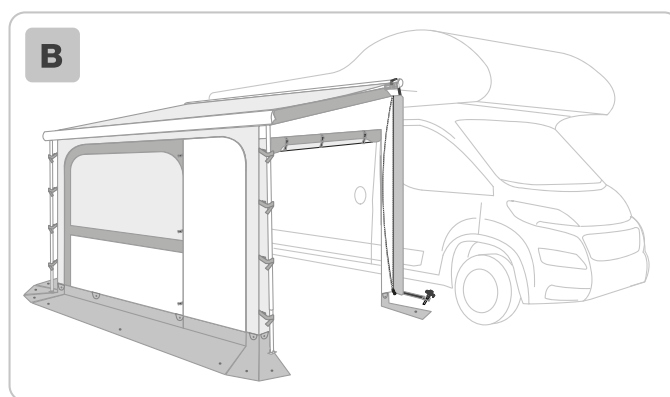
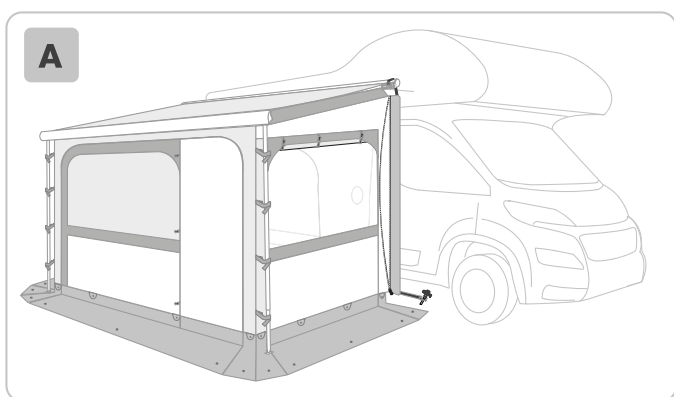
## TECHNICAL FEATURES



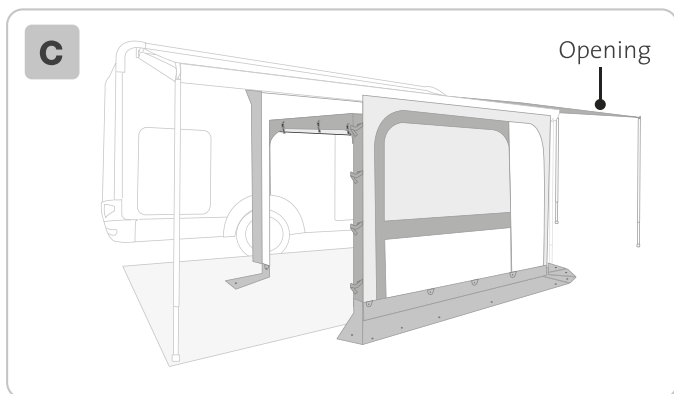
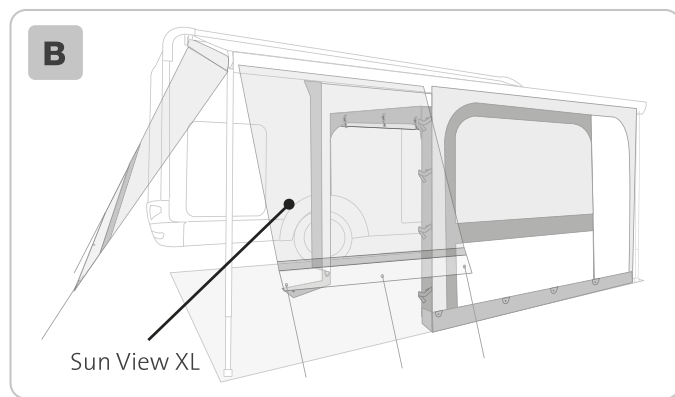
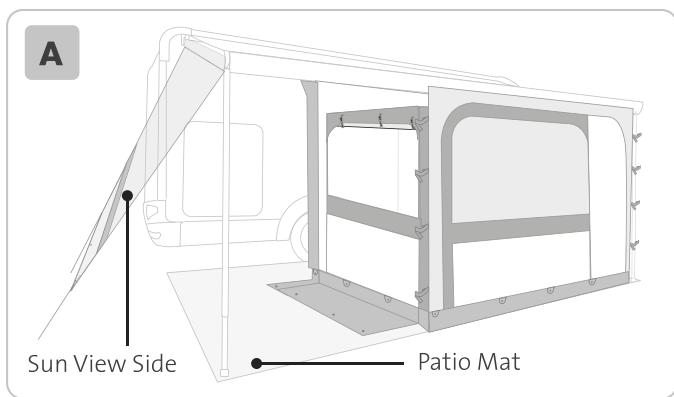
- Made from Ripstop material, a lightweight and tear-resistant fabric
- The double roof (the awning fabric and the Ripstop Privacy roof) creates an air chamber with constant ventilation thus lowering the temperature inside the Privacy room
- Removable front panel with Crystal window and door
- The side panels can be rolled up
- It allows you to fully open the side panels extending the shade surface

## DELIVERED AS STANDARD WITH:

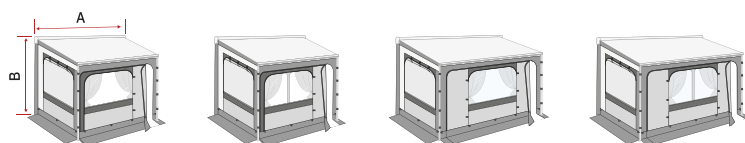
- 1x Complete Privacy composed of a roof, sides and front in one piece
- 1x Curtain kit for the window of the front panel
- 1x Installation kit for Fiamma awnings
- 1x Kit Support cross rafters (2 aluminium poles)
- 1x Pegs and elastic kit
- 1x Transport bag (Mega Bag for models 400 and 450, mega Bag Light for models Van 260, 300 and 350)







In these configurations, you must remove the installation kit mounting of Privacy Room Ultra Light before closing the awnings.



P.R. Ultra Light Van 260  
P.R. Ultra Light 300

P.R. Ultra Light 300

P.R. Ultra Light 400

P.R. Ultra Light 450

Description	Awning length A	B	Weight	Item No.	EAN code
Privacy Ultra Light Van 260	260 cm	180-220 cm	12,3 kg	07350A01-	8004815338817
Privacy Ultra Light 300*	300 / 320 cm	230-280 cm	14,2 kg	07350-01-	8004815338794
Privacy Ultra Light 350	350 / 370 cm		15,4 kg	07350-02-	8004815338824
Privacy Ultra Light 400	400 cm		16,6 kg	07350-03-	8004815338831
Privacy Ultra Light 450	450 cm		17,8 kg	07350-04-	8004815338848

\* The Privacy Room Ultra Light 300 is not suitable for 290 awnings.

### THE COOL AND ULTRA LIGHT PRIVACY THAT CAN BE ASSEMBLED IN JUST A MOMENT

Composed by a unique piece, it's the most easy and quick to install. Particularly suitable for use in warmer seasons.



#### + ACCESSORIES

- Tie Down S
- Door Pole F45
- Curtains Kit Smoke
- Kit Poles
- Skirting Motorhome
- Skirting Caravan
- Skirting VW T5/T6
- Skirting Ducato

Installation



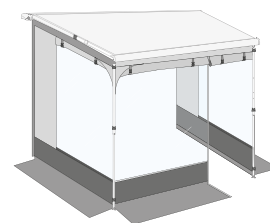


# Room Van / Premium

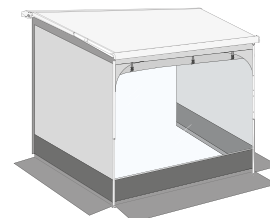
## GENERAL INFORMATION

- Awning length: 270cm
- Mounting height: 180-210cm
- Colours: light grey and grey
- Available for: F40van

Room Van Premium



Room Van



## TECHNICAL FEATURES

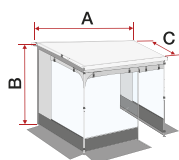
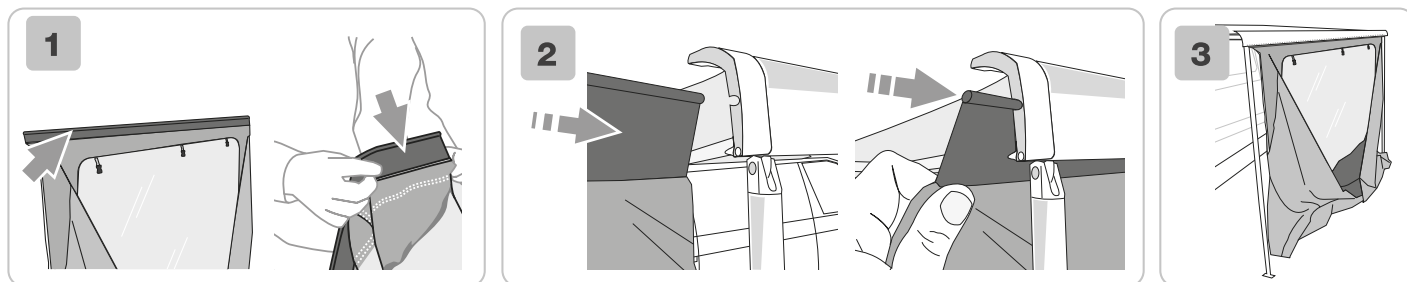
- Incorporated and self ventilated roof
- Ripstop fabric, light and resistant to scratches and tears
- Room Van Premium: front roll-up door, front panel with Crystal window panel and roll-up blackout panel, side panels with mosquito nets and roll-up blackout panels
- Room Van: blind side panels and transparent front panel equipped with roller blind for maximum privacy
- Possibility of anchoring to the awning support legs



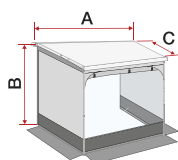
## ADVANTAGES

- No poles, ultra-fast installation using the shutter box and front of the awning as attachment points
- Roof, sides and front in one piece
- Possibility to increase the shade surface extending the front panel with optional Kit poles (Item No. 06537-01-)
- Compact, when folded it takes up very little space and can be stored in the bag which is delivered as standard

## INSTALLATION OF THE FRONT PANEL IN THE INTERNAL RAIL



Room Van Premium



Room Van



Description	Awning length A	B	C	Weight	Item No.	EAN code
Room Van Premium	270 cm	180-210 cm	225 cm	5,4 kg	08210-01-	8004815404154
Room Van				4,8 kg	08209-01-	8004815404147

### + ACCESSORIES

- Kit Poles
- Skirting VW T5/T6

Installation

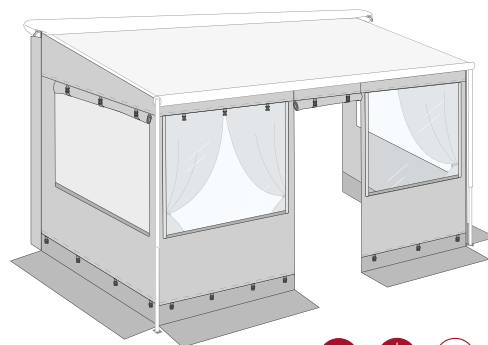




# Privacy Room CS Light

## GENERAL INFORMATION

- Awning length: 250-440cm
- Mounting height: 180-260cm
- Colour: light grey
- Available for:  
F35pro - CaravanStore

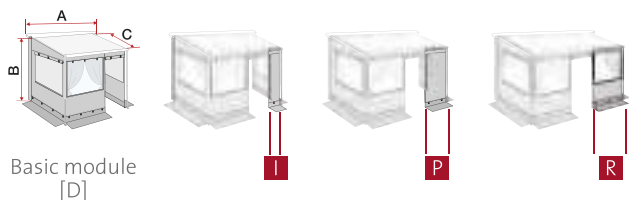
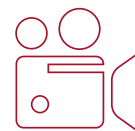


## TECHNICAL FEATURES

- All windows have integrated mosquito nets, front window with roll-up Crystal panel, and side windows with roll-up blackout panel
- Fast Clip CS, the aluminium profiles with internal easy clamps, that are composed of two pieces that ensure secure fastening
- Made of durable weather resistant grey polyester
- The door can be mounted on either the left front hand side or on the right front hand side

## DELIVERED AS STANDARD WITH:

- 1x front panel with opening window and mosquito net
- 2x side panels provided with roller blind and mosquito screens
- 1x curtain kit for the window/s of the front panel
- 1x Fast Clip CS installation kit (2 aluminium poles)
- 1x pegs and elastic kit
- 1x Mega Bag Light, dim. 140x25x25cm.



Basic module	Item No.	Weight	Ean code
P. R. CS Light 250 Van	8,7 kg	08360A01-	8004815413651
P. R. CS Light 270 Van	9,1 kg	08360A02-	8004815413668
P. R. CS Light 280	11,6 kg	08360-01-	8004815413569
P. R. CS Light 310	11,8 kg	[D] 08360-02-	8004815413576

Front panels	Weight	Item No.	Ean code
50 cm	0,6 kg	<b>I</b> 08361A01-	8004815413590
100 cm	0,8 kg	<b>P</b> 08361C01-	8004815413613
130 cm	0,95 kg	<b>R</b> 08361E01-	8004815413637

Description	Awning length A	B	C	Composition
P. R. CS Light 250 Van	250 cm	180-220 cm	225 cm	-
P. R. CS Light 270 Van	270 cm			-
P. R. CS Light 280	280 cm	240-260 cm	[D] 225 cm	-
P. R. CS Light 310	310 cm			[D]
P. R. CS Light 360	360 cm			[D] + <b>I</b>
P. R. CS Light 410	410 cm			[D] + <b>P</b>
P. R. CS Light 440	440 cm			[D] + <b>R</b>

\*For awning F35pro 270 installed on a caravan choose the item 05815-02-; for awning F35pro 300 installed on a caravan choose the item 05815-03- with adapter Kit 98655-925

## + ACCESSORIES

- Tie Down S
- Curtains Kit Smoke
- Skirting Caravan
- Door Pole
- Kit Poles Light
- Skirting VW T5/T6

Installation PR CS Light Van



Installation PR CS Light

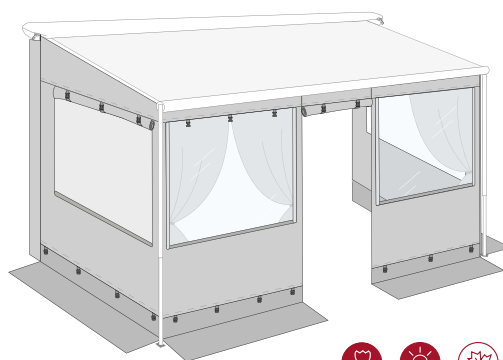




# Privacy Room CS Light XL

## GENERAL INFORMATION

- Awning length: 280-550cm
- Mounting height: 240-260cm
- Colour: light grey
- Available for: CaravanStore XL



## TECHNICAL FEATURES

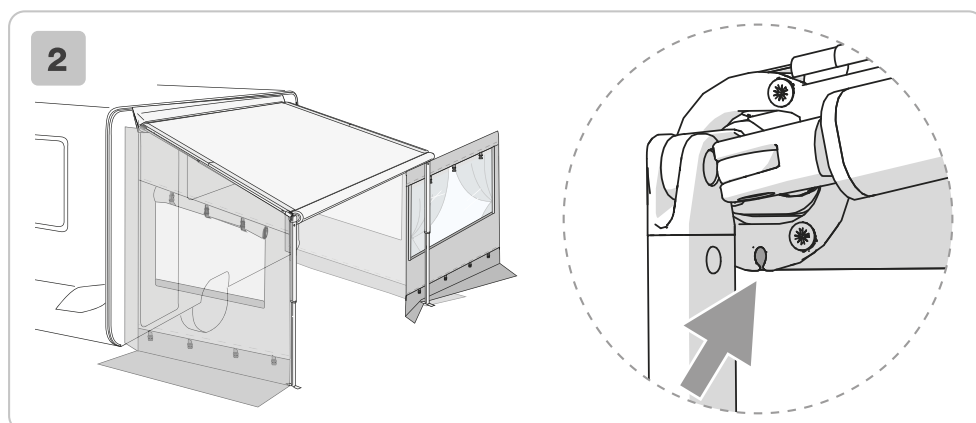
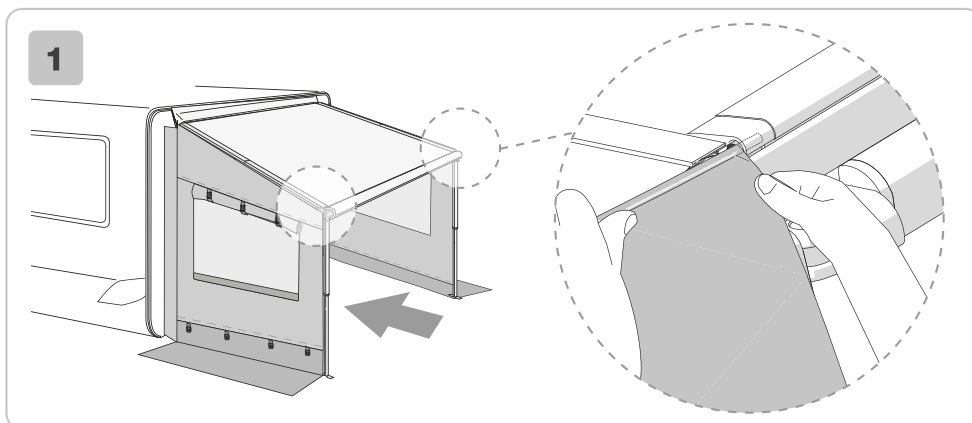
- All windows have integrated mosquito nets, front window with roll-up Crystal panel, and side windows with roll-up blackout panel
- Fast Clip CS, the aluminium profiles with internal easy clamps, that are composed of two pieces that ensure secure fastening
- Made of durable weather resistant grey polyester
- The door can be mounted on either the left front hand side or on the right front hand side

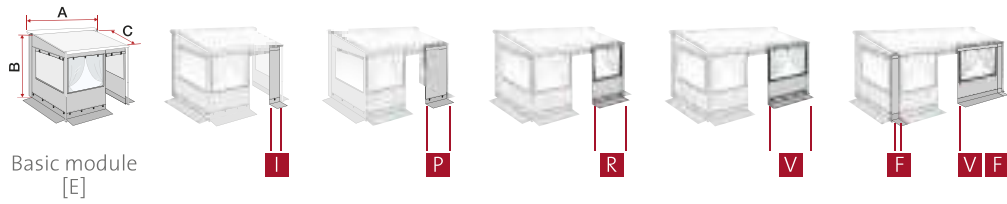
## DELIVERED AS STANDARD WITH:

- 1x front panel with opening window and mosquito net
- 2x side panels provided with roller blind and mosquito screens
- 1x curtain kit for the window/s of the front panel
- 1x Fast Clip CS installation kit (2 aluminium poles)
- 1x pegs and elastic kit
- 1x Mega Bag Light, dim. 140x25x25cm



## PRACTICAL ASSEMBLY





Basic module	Weight	Item No.	EAN code
P. R. CS Light XL 280	12,1 kg	08360B01-	8004815413675
P. R. CS Light XL 310	12,3 kg	[E] 08360B02-	8004815413682

Front panels	Weight	Item No.	EAN code
20 cm	0,35 kg	[F] 08361-01-	8004815413583
50 cm	0,6 kg	[I] 08361A01-	8004815413590
100 cm	0,8 kg	[P] 08361C01-	8004815413613
130 cm	0,95 kg	[R] 08361E01-	8004815413637
190 cm	1,2 kg	[V] 08361F01-	8004815413644

Description	Awning length A	B	C	Composition
P. Room CS Light XL 280	280 cm	240-260 cm	250 cm	-
P. Room CS Light XL 310	310 cm			[E]
P. Room CS Light XL 360	360 cm			[E] + [I]
P. Room CS Light XL 410	410 cm			[E] + [P]
P. Room CS Light XL 440	440 cm			[E] + [R]
P. Room CS Light XL 500	500 cm			[E] + [V]
P. Room CS Light XL 550	550 cm			[E] + [F] + [V] + [F]

**+** ACCESSORIES

- Tie Down S
- Curtains Kit Smoke
- Skirting Caravan
- Door Pole
- Kit Poles Light
- Skirting VW T5/T6

Installation



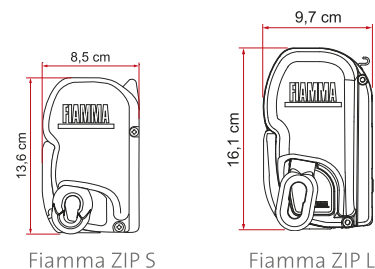


# Fiamma ZIP

## GENERAL INFORMATION

- Awning length: 300-450cm
- Mounting height: 225-280cm
- Colours: light grey and grey

## AWNINGS



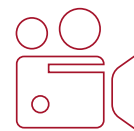
## TECHNICAL FEATURES

- Fiamma ZIP is composed of an awning based on the F45s/L and a Privacy Room
- Enclosure with vinyl fabric, awning in Polar White case and canopy in either Royal Grey or Royal Blue
- Canopy has a ZIP system allowing a fast installation
- All windows (both side and front) can be opened and are equipped with mosquito nets and curtains as standard. High velcro layer for secure window closure
- The door can be mounted on either the left front hand side or on the right front hand side

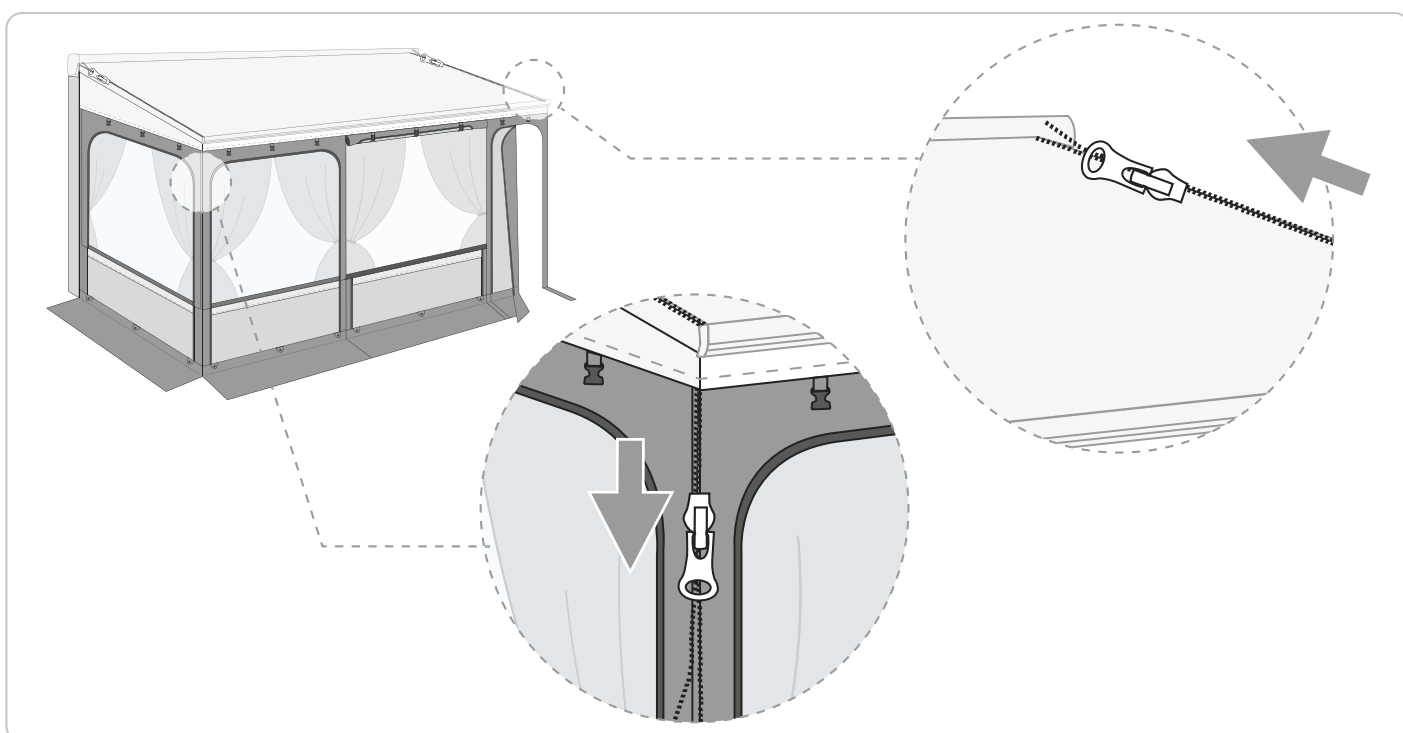


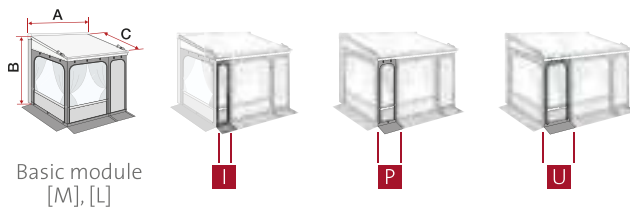
## DELIVERED AS STANDARD WITH

- 1x Awning (based on F45s/L)
- 3x Installation brackets (Kit AS)
- 1x Front panel with door and window with mosquito net
- 2x Side panels with windows with mosquito net
- 1x Curtain kit for all the windows of the enclosure
- 1x Central tension rafter
- 1x Rapid Set installation kit (2+2 aluminium tension poles)
- 1x Vehicle skirting
- 1x Kit elastic hooks for secure fixing
- 1x Storage bag Mega Bag 140x27x40cm



## ZIP SYSTEM





Privacy ZIP - basic module	Weight	Item No.	EAN code
Fiamma ZIP 300 M	21 kg	[M] 08365-01-	8004815413866
Fiamma ZIP 300 L	21,3 kg	[L] 08365A01-	8004815413873

Front panel	Weight	Item No.	EAN code
50 cm	0,66 kg	<b>I</b> 08364B01-	8004815413767
100 cm	0,94 kg	<b>P</b> 08364E01-	8004815413798
150 cm	1,4 kg	<b>U</b> 08364H01-	8004815413828

Description	Weight	Awning ZIP	EAN code
F45s ZIP 300	23,5 kg	[D] 06463A01R	8004815355746
		[D] 06463A01Q	8004815355944
F45s ZIP 350	25,5 kg	[E] 06463B01R	8004815355753
		[E] 06463B01Q	8004815355951
F45L ZIP 400	36,5 kg	[F] 06531-01R	8004815355760
		[F] 06531-01Q	8004815350475
F45L ZIP 450	40 kg	[G] 06531A01R	8004815349165
		[G] 06531A01Q	8004815355968

R=Royal Grey, Q=Royal Blue

Description	Weight	B	C	Awning ZIP	Privacy ZIP
Fiamma ZIP S 300 Medium *	44,5 kg	[M] Medium 225-250 cm	250 cm	[D] +	[M]
Fiamma ZIP S 350 Medium *	47,2 kg			[E] +	[M] + <b>I</b>
Fiamma ZIP L 400 Medium *	58,4 kg			[F] +	[M] + <b>P</b>
Fiamma ZIP L 450 Medium**	62,4 kg			[G] +	[M] + <b>U</b>
Fiamma ZIP S 300 Large *	44,8 kg	[L] Large 251-280 cm		[D] +	[L]
Fiamma ZIP S 350 Large *	47,5 kg			[E] +	[L] + <b>I</b>
Fiamma ZIP L 400 Large *	58,7 kg			[F] +	[L] + <b>P</b>
Fiamma ZIP L 450 Large **	62,7 kg			[G] +	[L] + <b>U</b>

\* 1 Rafter included

\*\* 1 Rafter and 1 Door Pole included

**+** ACCESSORIES

- Tie Down S
- Door Pole
- Kit Magic Privacy Front
- Kit Magic Privacy Side
- Curtains Kit Smoke
- Mosquito Net Door
- Pack Organizer
- Pack Organizer Privacy
- Privacy Kit Rail
- Skirting Ducato
- Skirting Caravan
- Rain Caps F45

Installation (awning F45s)



Installation (awning F45L)



Installation (enclosure)

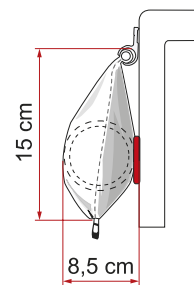




# CaravanStore ZIP XL

## GENERAL INFORMATION

- Awning length: 288-559cm
- Mounting height: 240-260cm
- Colours: light grey and grey



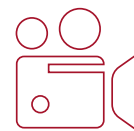
## TECHNICAL FEATURES

- CaravanStore ZIP is composed of an awning based on the Fiamma CaravanStore and a Privacy Room
- Canopy has a ZIP system allowing a fast installation
- Front and side panels are composed of openable crystal windows (with curtains included) equipped with mosquito net and a velcro strip for safe closing of the window
- Structure Rapid Set CS, CaravanStore Support Leg (from 3,60m length) and Rafter CaravanStore (for 4,40m length)
- Made with vinyl fabric
- The door can be mounted on either the left front hand side or on the right front hand side
- The Flexyblock system strengthens the rafter tension given the increased extension
- Reinforced sliding caps inside the roller
- Reinforced roller to accommodate the rafter-poles system
- Longer side panels with widened windows

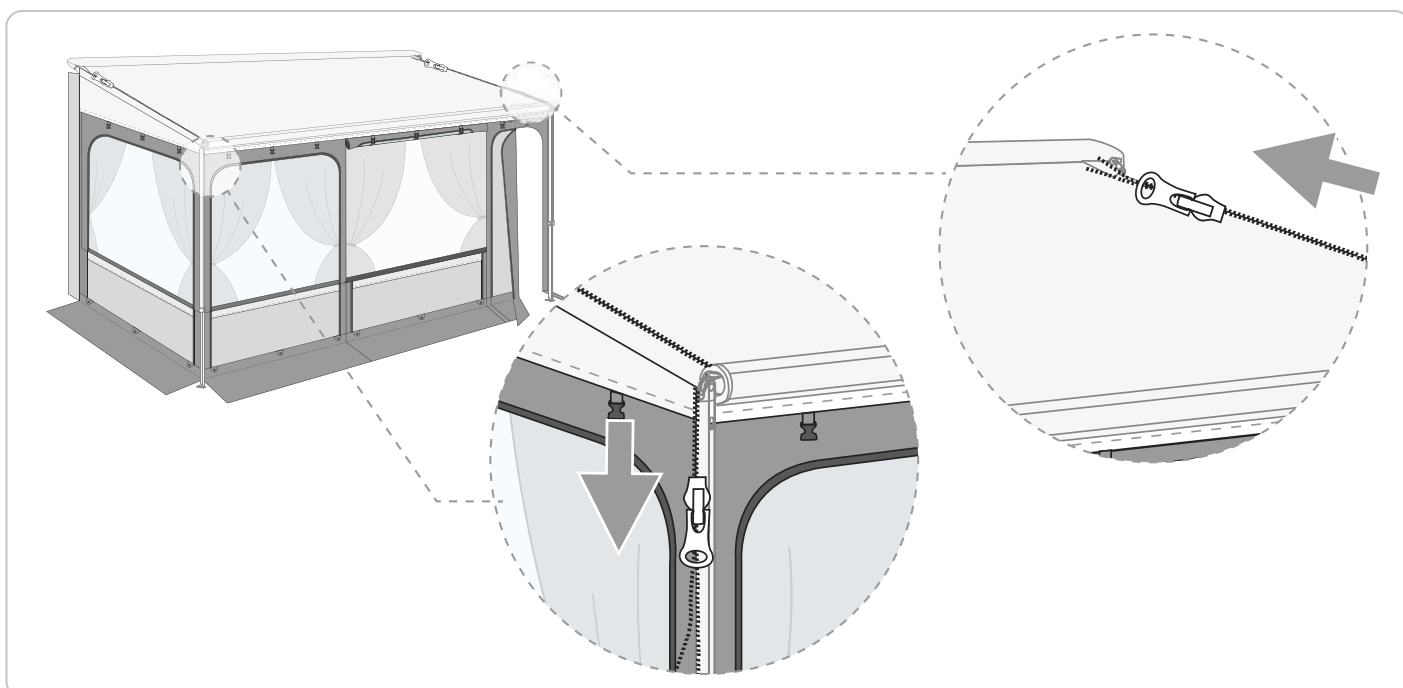


## DELIVERED AS STANDARD WITH:

- 1x Awning (CaravanStore XL type)
- 1x Front panel with window with mosquito net and rollable door
- 2x Side panels with windows with mosquito net
- 1x Curtain kit for all the windows of the enclosure
- 1x Rapid Set CS installation kit (2+2 aluminium tension poles)
- 1x Kit elastic hooks for secure fixing
- 1x Storage bag Mega Bag, dim. 140x27x40cm.



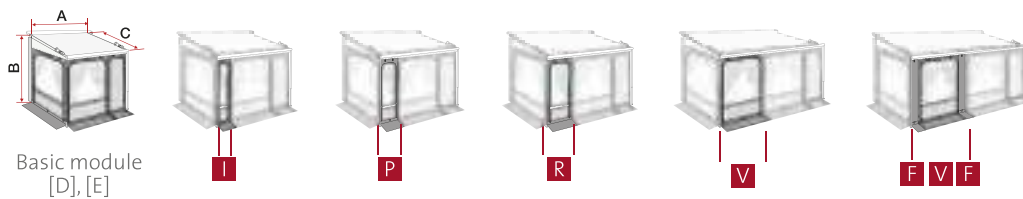
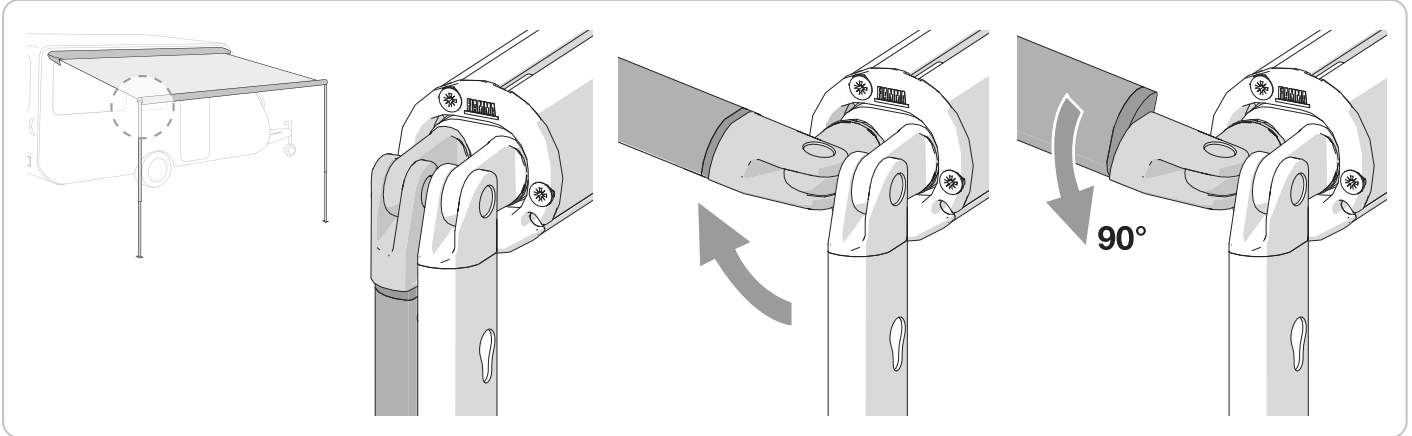
## ZIP SYSTEM







FLEXYBLOCK



Privacy Cstore ZIP - basic module	Weight	Item No.	EAN code
CStore ZIP XL 280	21 kg	[D] 08363-01-	8004815413729
CaStore ZIP XL 310	21,3 kg	[E] 08363-02-	8004815413736

Privacy CStore ZIP - front panels	Weight	Item No.	EAN code
20 cm	0,34 kg	[F] 08364-01-	8004815413743
50 cm	0,66 kg	[I] 08364B01-	8004815413767
100 cm	0,94 kg	[P] 08364E01-	8004815413798
130 cm	1,3 kg	[R] 08364G01-	8004815413811
190 cm	1,8 kg	[V] 08364L01-	8004815413835

Description	Weight	Awning ZIP	EAN code
CS ZIP XL 280	10,1 kg	[G] 06771Co2R	8004815368074
		[G] 06771Co2Q	8004815368067
CS ZIP XL 310	11,2 kg	[H] 06771Do2R	8004815368098
		[H] 06771Do2Q	8004815368081
CS ZIP XL 360	12,3 kg	[L] 06771Eo2R	800481536811A
		[L] 06771Eo2Q	8004815368104
CS ZIP XL 410	13,5 kg	[M] 06771Fo2R	8004815349158
		[M] 06771Fo2Q	8004815358082
CS ZIP XL 440	14,6 kg	[N] 06771Go2R	8004815358129
		[N] 06771Go2Q	8004815358099
CS ZIP XL 500	15,8 kg	[Q] 06771Ho2R	8004815358136
		[Q] 06771Ho2Q	8004815358105
CS ZIP XL 550	16,9 kg	[S] 06771Lo2R	8004815358143
		[S] 06771Lo2Q	8004815358112

R=Royal Grey, Q=Royal Blue

Description	Weight	B	C	Awning ZIP	Privacy ZIP
CaravanStore ZIP XL 280	31,1 kg	260-240 cm	250 cm	[G]	[D]
CaravanStore ZIP XL 310	32,5 kg			[H]	[E]
CaravanStore ZIP XL 360*	34,3 kg			[L]	[E] + [I]
CaravanStore ZIP XL 410*	35,7 kg			[M]	[E] + [P]
CaravanStore ZIP XL 440**	37,2 kg			[N]	[E] + [R]
CaravanStore ZIP XL 500***	38,9 kg			[Q]	[E] + [V]
CaravanStore ZIP XL 550***	40,7 kg			[S]	[E] + [F (x2)] + [V]

\* CaravanStore Support Leg included.

\*\* Rafter CaravanStore and CaravanStore Support Leg included.

\*\*\* 2 CaravanStore Support Leg included.

**+** ACCESSORIES

- Tie Down S CaravanStore
- Door Pole
- Kit Magic Privacy Side
- Kit Magic Privacy Front
- Curtains Kit Smoke
- Moskito Net Door
- Pack Organizer
- Pack Organizer Privacy
- Skirting Caravan



Installation (awning)



Installation (enclosure)

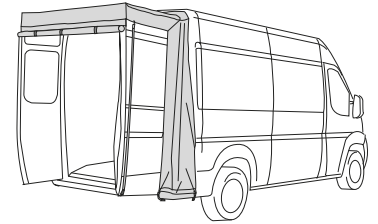
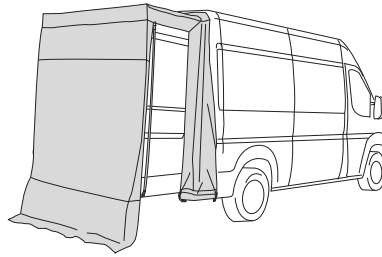




# Rear Door Cover Ducato

## GENERAL INFORMATION

- Available for:  
Fiat Ducato, Citroën Jumper  
Peugeot Boxer H2 after 06/2006  
Mercedes Sprinter H2 from 2006 to 2008
- Colour: light grey



## TECHNICAL FEATURES

- Quick to install, supplied with side panels and front panel that can be rolled up
- The double rail is attached to the water
- Gutter of the Ducato, the aluminium rafter secures the opening of the two rear doors, keeping the fabric tight

## DELIVERED AS STANDARD WITH:

- 1x awning with side and front panels
- 1x double rail in reinforced pvc
- 1x rafter to increase stability
- 1x Kit pegs
- 1x kit of tension elastics

Description	Weight	Item No.	EAN Code
Rear Door Cover Ducato	3,3 kg	06357-01-	8004815283933

### + ACCESSORIES

- Rear Skirting Ducato

Installation



# Rear Door Cover VW T5/T6

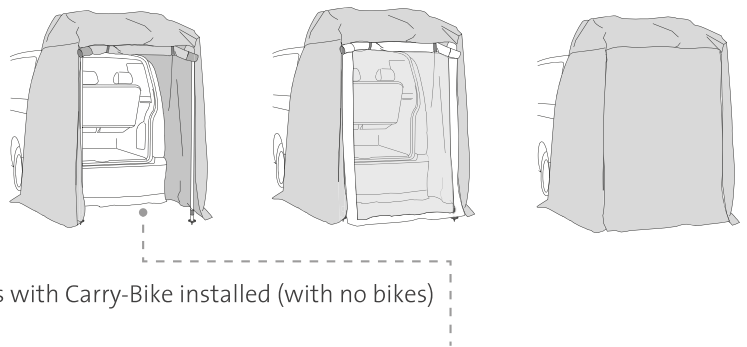


## GENERAL INFORMATION

- Available for:  
VW T5/T6
- Colour: light grey

## TECHNICAL FEATURES

- Installed on vehicle with one rear door
- Installation both on standard rear doors and on rear doors with Carry-Bike installed (with no bikes)



## DELIVERED AS STANDARD WITH:

- 1x complete enclosure for the rear of the vehicle with an openable door that can be rolled up or extended. Equipped with mosquito screen
- 1x set of floor poles
- 1x kit of tension elastics
- 1x Kit pegs
- 1x Mega Bag Light

Description	Weight	Item No.	EAN Code
Rear Door Cover VW T5/T6	9,8 kg	06539-01-	8004815295073

### + ACCESSORIES

- Rear Skirting VW T5/T6

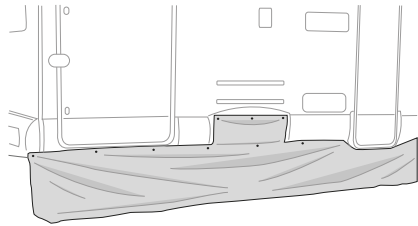
Installation



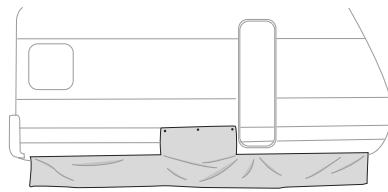


PROTECTION AGAINST WIND AND RAIN THAT ALSO ELIMINATES DRAUGHT

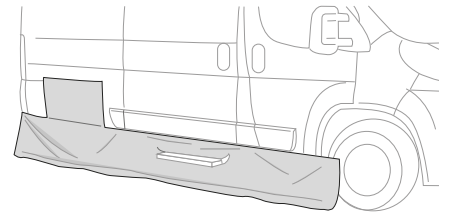
**SKIRTING MOTORHOME**



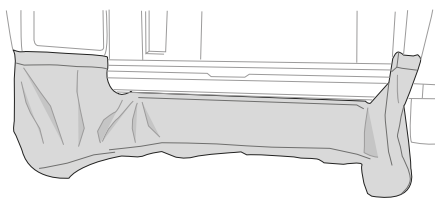
**SKIRTING CARAVAN**



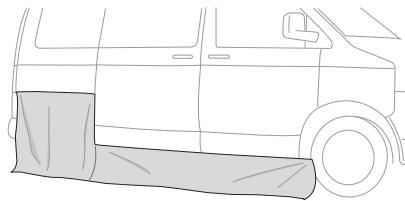
**SKIRTING DUCATO**



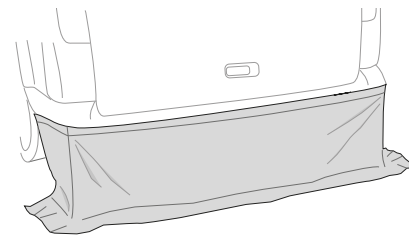
**REAR SKIRTING DUCATO**



**SKIRTING VW T5/T6**



**REAR SKIRTING VW T5/T6**



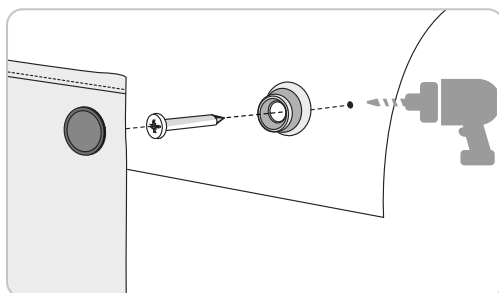
Description	Vehicle	Dimensions	Weight	Item No.	EAN Code
Skirting Motorhome*	Motorhome	550x60h cm	1,7 kg	98655-090	8004815071172
Skirting Caravan*	Caravan	450x60h cm	1,8 kg	98655-084	8004815241339
Skirting VW T5/T6	VW T5/T6	250x42h cm	0,7 kg	98655-387	8004815283117
Skirting Ducato	Ducato	497x45h cm	1,4 kg	98655-405	8004815283926
Rear Skirting Ducato	Ducato	--	1,7 kg	06469-01-	8004815294298
Rear Skirting VW T5/T6	VW T5/T6	--	1,1 kg	06538-01-	8004815295028

\*Easily adjustable to the length of the vehicle.

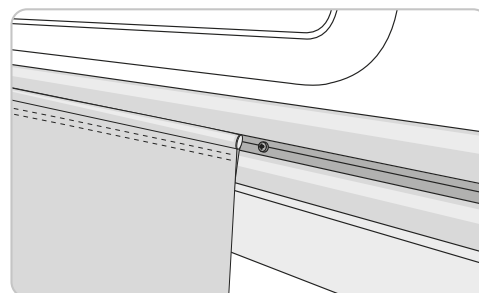


Description	Wheel base Adaptability
Skirting Ducato	3450, vehicle length 5416 mm, (L2)
	4035, vehicle length 5998 mm, (L3)
	4035, vehicle length 6363 mm, (L4)

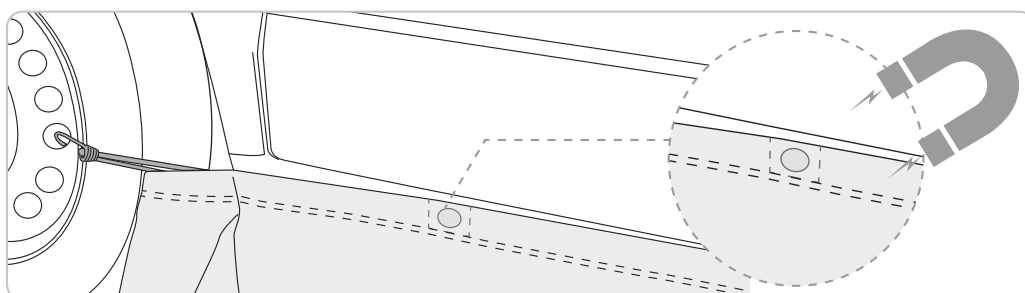
Skirting Motorhome - Snap fasteners



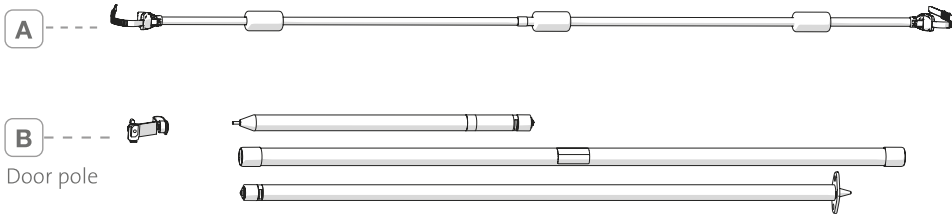
Skirting Caravan - Detail of standard rail



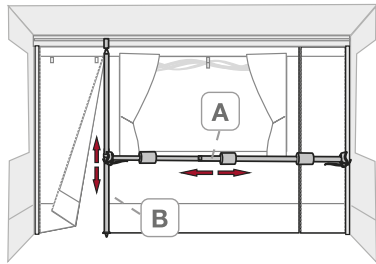
Skirting Ducato - VW T5/T6 - Detail of elastic fixing straps and magnets.



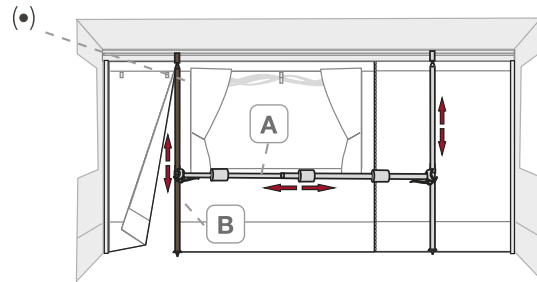
**KIT MAGIC PRIVACY**



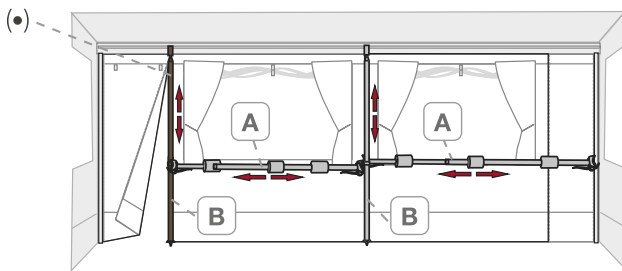
Kit Magic Privacy Front 260 - 300 - 350



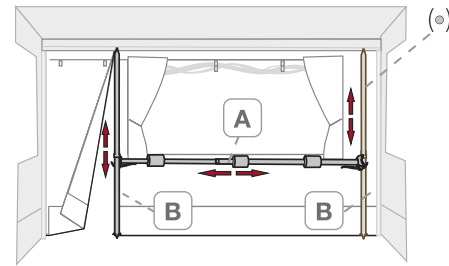
Kit Magic Privacy Front 400 - 410 - 440 - (•) 450



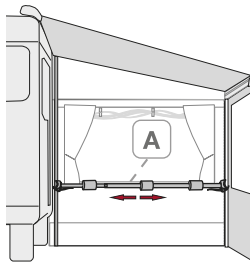
Kit Magic Privacy Front (•) 500 - (•) 550



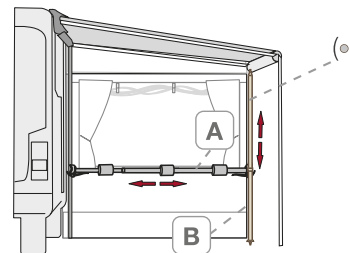
Kit Magic Privacy Front (CaravanstorZip) (◦)280-310-360



Kit Magic Privacy Side



Kit Magic Privacy Side (CaravanStoreZip) (◦)



Description	A	B
Kit Magic Privacy Front for awning from 260 to 360 and 450	1	1
Kit Magic Privacy Front for awning 400/410 and 440	1	2
Kit Magic Privacy Front for awning 500 and 550	2	1
Kit Magic Privacy Front (CaravanStore) 280-310-360	1	◦
Kit Magic Privacy Side	1	-
Kit Magic Privacy Side (CaravanStore Zip)	1	◦

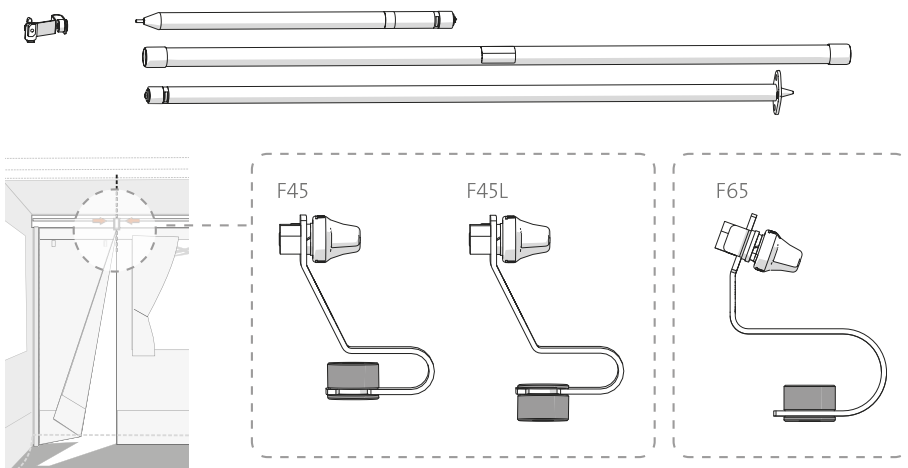
- Door Pole delivered as standard with Privacy Room
- Door Pole optional

Description	Weight	Item No.	EAN Code
Kit Magic Privacy Front for awning from 260 to 360 and 450	2,0 kg	06856-01-	8004815310950
Kit Magic Privacy Front for awning 400/410 and 440	2,7 kg	06856-02-	8004815310967
Kit Magic Privacy Front for awning 500 and 550	3,0 kg	06856-03-	8004815310974
Kit Magic Privacy Side	1,1 kg	06856-04-	8004815310981

Installation  
Kit Magic Privacy



**DOOR POLE**



Installation Door Pole F65



Installation Door Pole F45/CS

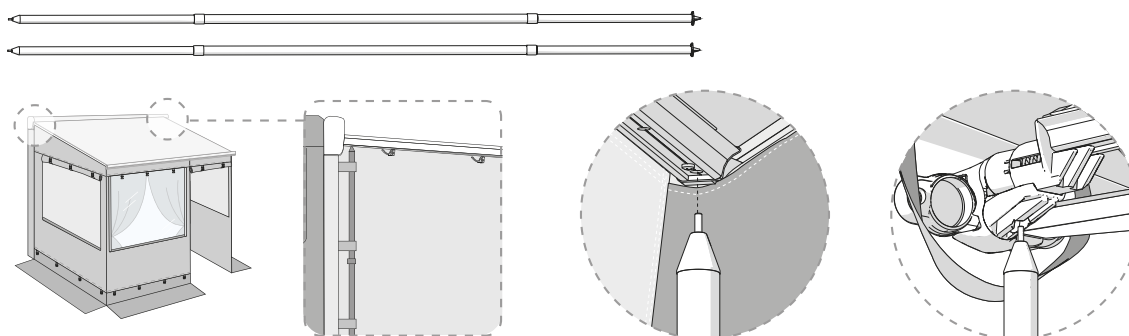


Description	Weight	Item No.	EAN Code
Door Pole F45 - CaravanStore	0,8 kg	05161-02P	8004815243685
Door Pole F65	0,8 kg	05161-08-	8004815323837

Description	Standard	F45s	F45L	F65s	F65L	F70	F80	F35pro	CS/XL
Door Pole F45 - CaravanStore	P.R. from 450	•	•						•
Door Pole F65				◦	◦				

◦ Delivered as standard • Optional

**KIT POLES LIGHT**



PRIVACY ROOM LIGHT

PRIVACY ROOM CS LIGHT

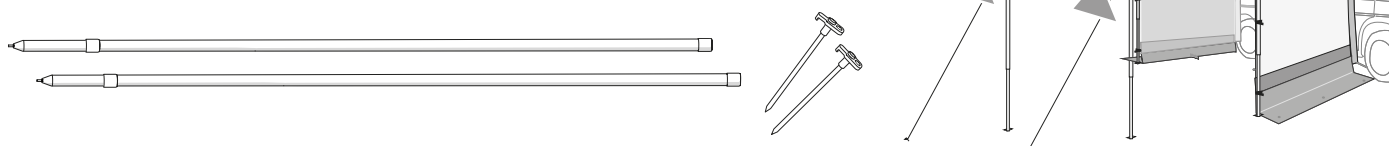
Installation



Description	Weight	Item No.	EAN Code	Privacy Room	Privacy Room Light	Privacy Ultra Light	Room Van	PR CS Light/ XL	Fiamma Zip	CS ZIP XL
Kit Poles Light	2,0 kg	06020-01-	8004815260453		◦			◦		

◦ Optional

**KIT POLES**



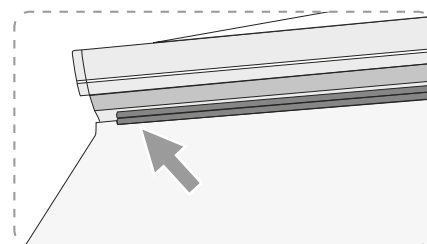
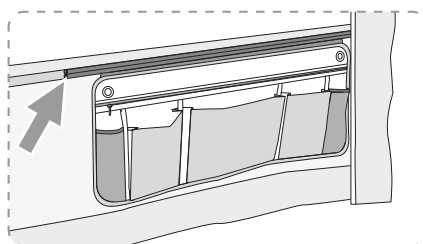
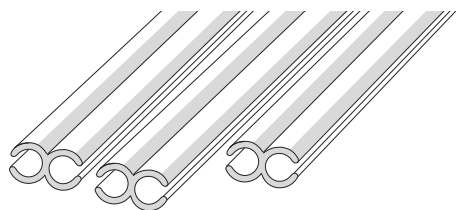
Description	Weight	Item No.	EAN Code	Privacy Room	Privacy Room Light	Privacy Ultra Light	Room Van	PR CS Light/ XL	Fiamma Zip	CS ZIP XL
Kit Poles	0,7 kg	06537-01-	8004815294977			◦	◦			

◦ Optional

### PRIVACY RAIL KIT

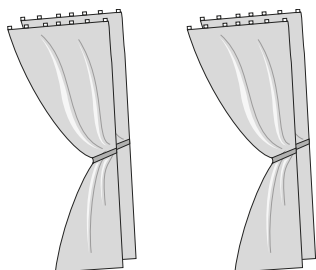
- 4x rail

For the installation of the Organizer range (S, L, Shoes) inside the Privacy Room



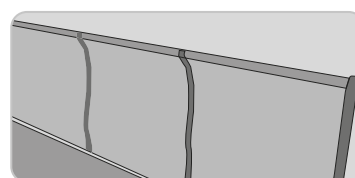
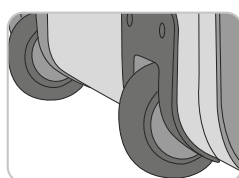
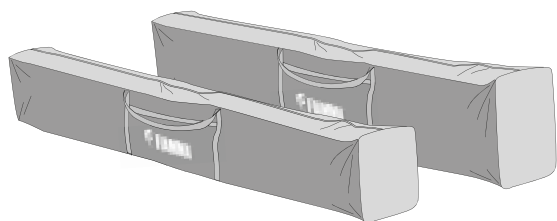
Description	Length	Weight	Item No.	EAN Code
Privacy Rail Kit	100 cm	2,0 kg	07364-01-	8004815339593

### CURTAINS KIT SMOKE



Description	Weight	Item No.	EAN Code
Curtains Kit Smoke - 2pz	2,7 kg	98655A484	8004815339623
Curtains Kit Smoke - 6pz	3,0 kg	98655A483	8004815251413

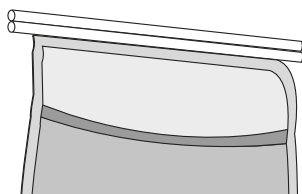
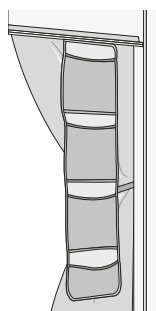
### MEGA BAG



Description	Dimensions	Weight	Item No.	EAN Code
Mega Bag Elite	150x35x35 cm	1,2 kg	08373-01-	8004815414689
Mega Bag Smart	150x25x25 cm	0,5 kg	08374-01-	8004815414696

### PACK ORGANIZER PRIVACY

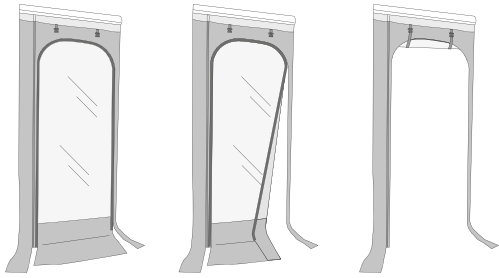
Folding container to optimise the space inside the enclosure



Description	Weight	Item No.	EAN Code
Pack Organizer Privacy	0,4 kg	07366-01-	8004815339616

**MOSKITO NET DOOR**

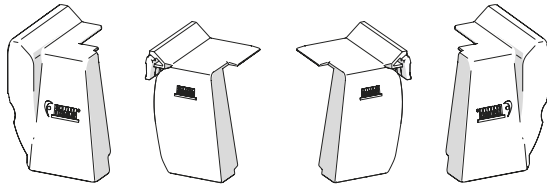
Door with mosquito net for Privacy Room, Fiamma ZIP, CaravanStore ZIP XL



Description	Weight	Item No.	EAN Code
Maskito Net Door	0,7 kg	07365-01-	8004815339609

**RAIN CAPS**

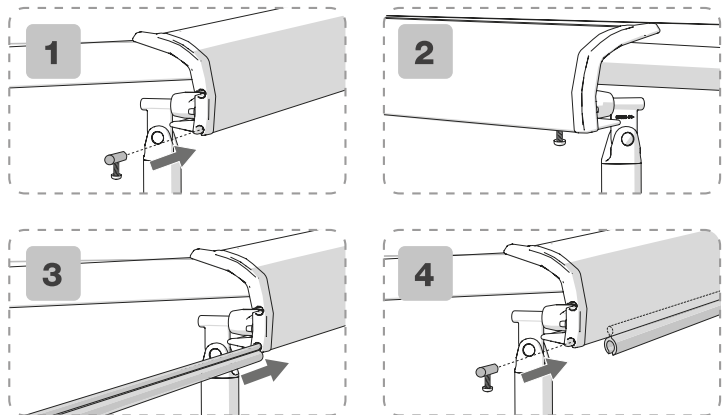
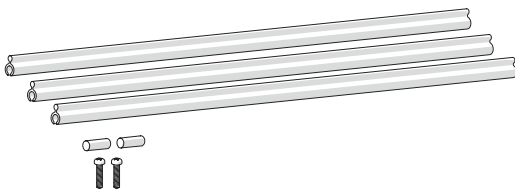
Pair of seals to prevent water infiltration into the Privacy Room when it is raining. To be applied on lead bars of the awning.



Description	Weight	Item No.	EAN Code
Rain Caps F45S	0,10 kg	06893-01-	8004815314798
Rain Caps F45L	0,20 kg	06893A01-	8004815315559

**KIT ADAPTER FRONT F40 BLOCKER**

Adapter kit for front panels on awning F40van S/N < 9453261 - A03 -70199.



Description	Weight	Item No.	EAN Code
Kit Adapter Front F40 Blocker	0,10 kg	08322-01-	8004815412296

**SPARES SIDE W / SIDE W PRO / SUN VIEW SIDE**

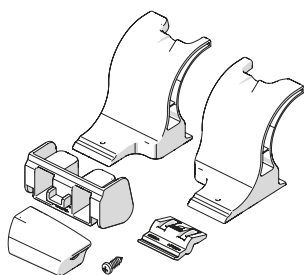
F45 / F65 - 98660-009



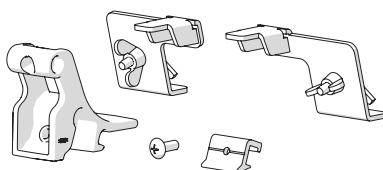
CARAVANSTORE / F35PRO - 98660-095



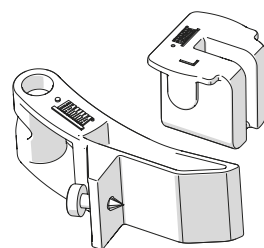
**KIT SIDE F70**



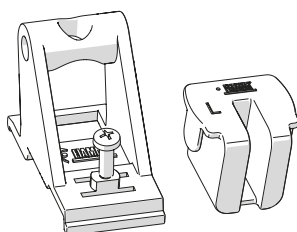
**KIT SIDE F80S**



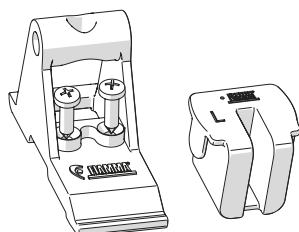
**KIT SIDE F65S / F65L**



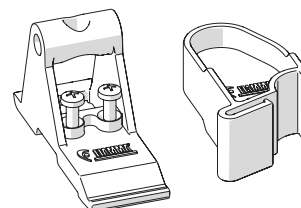
**KIT RAFTER SIDE F45 TiL / F45L**



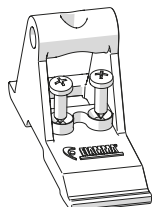
**KIT RAFTER SIDE F45 Ti / F45S**



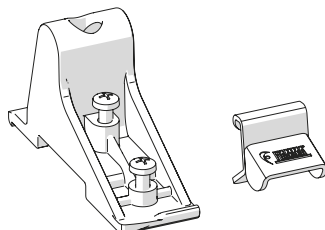
**KIT SIDE OMNISTOR 5002**



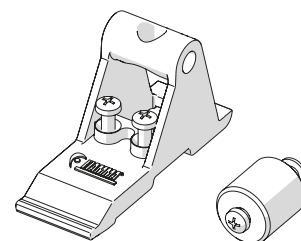
**KIT SIDE OMNISTOR 5003**



**KIT SIDE TRISTOR**



**KIT SIDE OMNISTOR 4900 / 5200 / TRISTOR<sup>2</sup>**



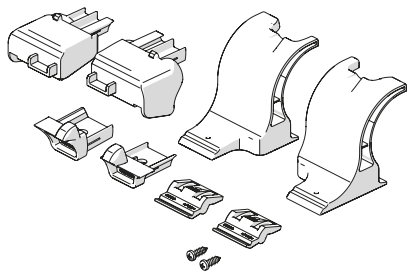
Installation



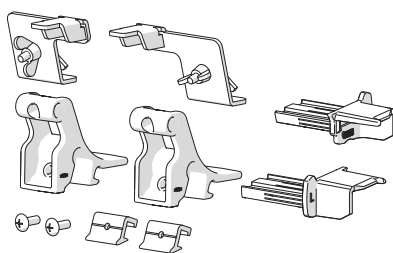
Description	Weight	Item No.	EAN Code
Kit Side F70	0,1 kg	98661-001	8004815345938
Kit Side F80s	0,1 kg	98661-017	8004815384821
Kit Side F65s / F65L	0,1 kg	98655-073	8004815206307
Rafter Side F45 TiL / F45L	0,1 kg	98655-564	8004815292607
Rafter Side F45 TiL / F45L	0,1 kg	98660-071	8004815349899
Kit Rafter Side F45 Ti / F45s	0,1 kg	98655-563	8004815292553
Kit Rafter Side F45 Ti / F45s	0,1 kg	98660-070	8004815349882
Kit Side Omnistor 5002 / 5003	0,1 kg	98655-311	8004815208400
Kit Side Tristor	0,1 kg	98655-079	8004815256456
Kit Side Omnistor 4900 / 5200 / Tristor <sup>2</sup>	0,1 kg	98655-927	8004815303594



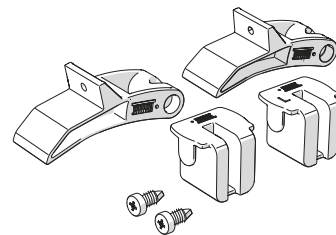
**KIT PRIVACY F70**



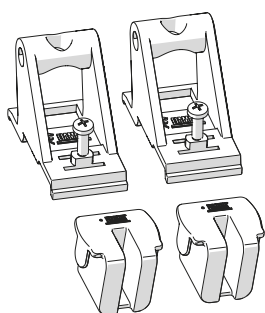
**KIT PRIVACY F80**



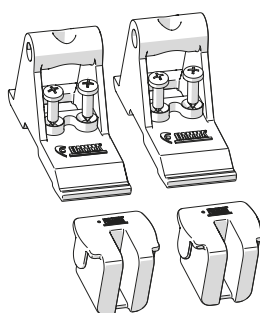
**KIT PRIVACY F65 / F65S / F65L**



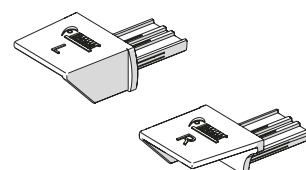
**KIT PRIVACY F45 TIL / F45L**



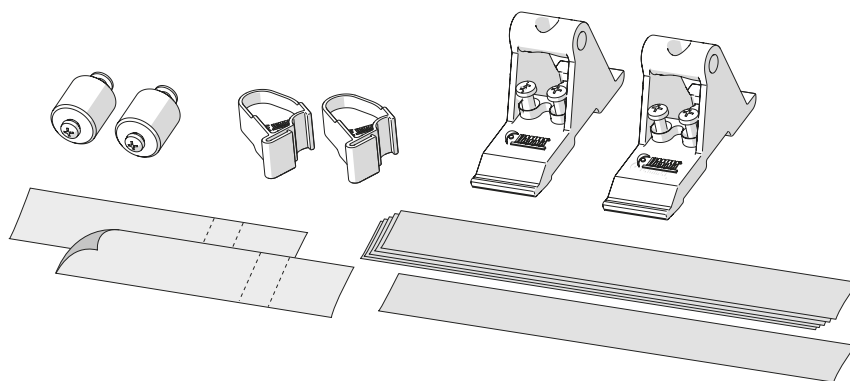
**KIT PRIVACY F45 TI / F45S**



**KIT PRIVACY F45 TI 250 / 300**



**KIT PRIVACY OMNISTOR 4900 / TRISTOR<sup>2</sup> / 5002 / 5003 / 5200**



Description	Weight	Item No.	EAN Code
Kit Privacy F70	0,2 kg	98661-002	8004815345983
Kit Privacy F80	0,2 kg	98661-018	8004815384838
Kit Privacy F65 / F65s / F65L	0,2 kg	98655-899	8004815291372
Kit Privacy F45 TIL / F45L	0,2 kg	98655-898	8004815291365
Kit Privacy F45 TI / F45s	0,2 kg	98655-897	8004815291334
Kit Privacy F45 TI 250 / 300	0,2 kg	98655-900	8004815291419
Kit Privacy Omnistor 4900 / Tristor <sup>2</sup> / 5002 / 5003 / 5200	0,2 kg	98655-901	8004815291440

### PRELIMINARY CHECKS



- Read the instructions and warnings carefully; failure to observe these installation and usage instructions as well as the laws for driving in the relevant country may cause severe harm or damage for which the manufacturer declines all responsibility.
- Before installation, ensure compatibility with the vehicle on which the product must be installed.
- Checking that the wall/rear door is sufficiently solid and suitable for guaranteeing the resistance of the anchoring points is always mandatory. If not, strength and compliance with the maximum load indicated in the instructions are not guaranteed and it will be necessary to reinforce these points.

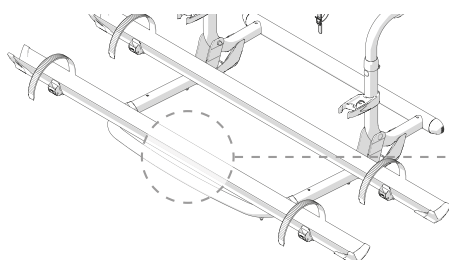
### HOW TO CHOOSE THE RIGHT CARRY-BIKE

TYPE OF VEHICLE

### WARNINGS



- When communicating with Fiamma, always refer to the data on the nameplate.



FP: 999999	M00
<b>Carry-Bike®</b>	
S/N: N 2000001	←

### WARNINGS



- After having positioned the Carry-Bike on the rear axle of the vehicle, the normal weight distribution on both axles would be modified. This variation must not exceed the maximum permissible axle load.
- Never exceed the maximum permitted length and the total weight of the full-load vehicle.
- Make sure that loading occurs following a correct weight distribution; it must be uniformly distributed (the heaviest bike must be placed near the wall of the vehicle) to ensure better stability.
- The maximum permitted speed of the vehicle with a mounted Carry-Bike on Motorhome is 130 km/h, on Caravan is 80 Km/h. Always comply with speed limits and the Highway Code. The speed should always be suitable to traffic conditions and towed load.

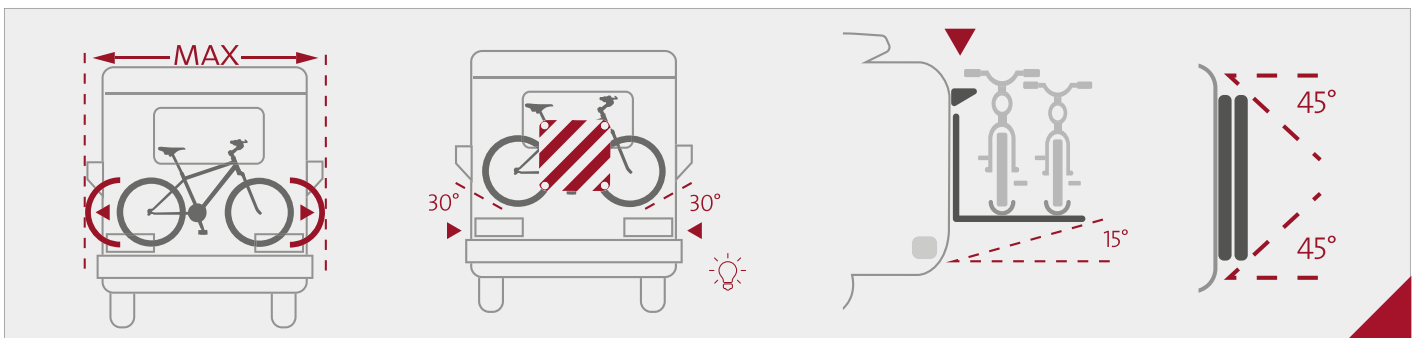
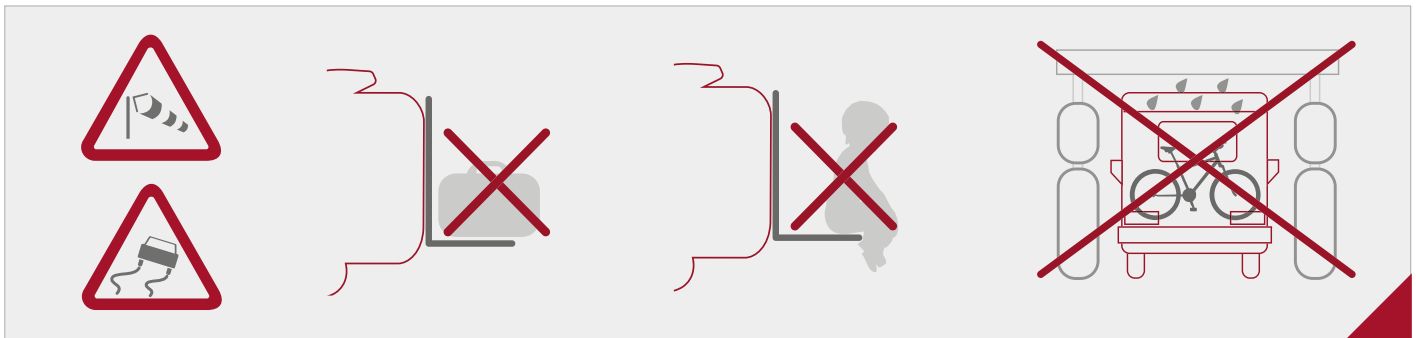
130 Km/h MAX	80 Km/h MAX

		60 Kg MAX
15kg MAX 15kg MAX 15kg MAX 15kg MAX		

WARNINGS

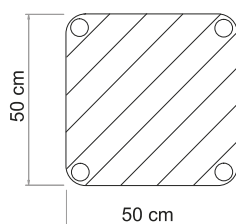


- Always give warnings about the presence of the Carry-Bike on your vehicle, using a Signal for overhanging loads (use the approved signal required by the Highway Code of the country of origin). In case of limited rear visibility, use the additional rear-view mirrors.
- Take into account the presence of the Carry-Bike, paying attention during driving and especially during reversing manoeuvres, particularly if you have parking assist system.
- In case of use of the bike carrier with tow make sure that the tow hook is always accessible and the corner mobility of the tow is guaranteed (volume measuring DIN 74058).
- Moderate the speed of the vehicle on rough roads or bottoms. Pay attention to the road bumps, they are to be taken without exceeding the speed limits allowed.
- Check periodically the bicycle rack to make sure it is firmly attached, especially during the first kilometres of after long trips to avoid damages of the Carry-Bike/vehicle.
- It is recommended to rotate the handlebars of bicycles to avoid damage to the vehicle wall, for which Fiamma declines all responsibility.
- Carry-Bike Van conversions and Camper vans: depending on the type of bicycles transported, check the correct visibility of the rear lights. If the visibility is missing, provide a light repeater bar.



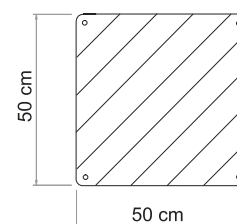
REAR WARNING SIGN - SIGNAL FOR PROTRUDING LOADS

PLASTIC SIGNAL

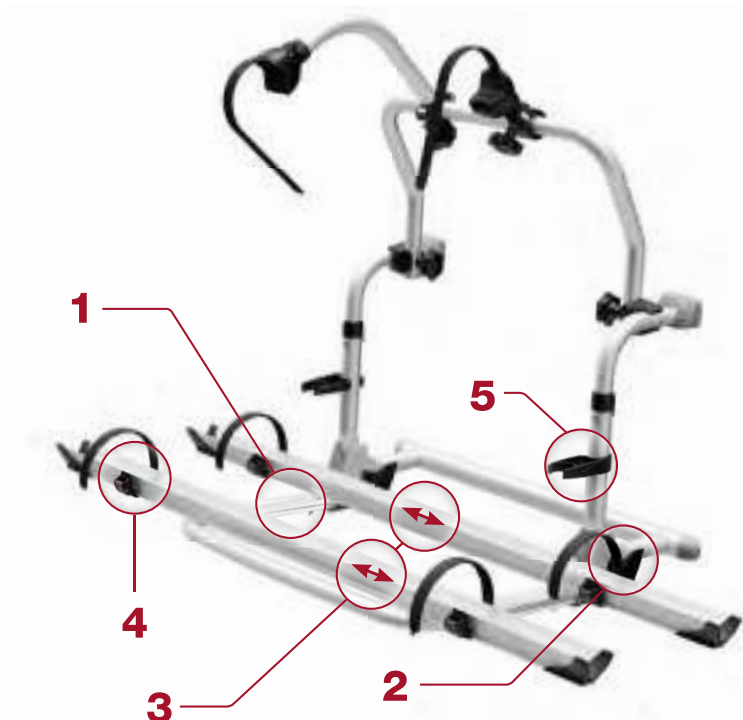


- Suitable for all European countries, except Italy, Spain, Portugal and Benelux

ALU SIGNAL



- Suitable for Italy
- Homologated by Italian authorities nr. 2606 of 13/05/13



### ZOOM 4 BIKES

Zoom 4 Bikes is the telescopic rail support with a thicker rounded tube, reinforced elements in stainless steel and aluminium allowing to fit up to 4 bikes.

1



### BULL SHOCK ABSORBER

Bull Shock Absorber is the best and most reliable system for shock and vibration absorption during travel.

2



### EASY POSITION

Easy position is the system to offset the rails of the bike carrier in order to simplify the transport of multiple bikes at the same time. All rails are mechanically fixed by means of rust free stainless steel screws to avoid movement.

3



### QUICK LOCK

Quick-safe is the safety strap to safely mount and lock the wheels on the bike carrier rail. easy release for immediate opening.

4



### RACK HOLDER

It's a locking system which hold the racks of the carrier closed while it is not in use.

5

### TYPE OF RAIL

Different models of rails depending on the Carry-Bike models to which they are mounted.

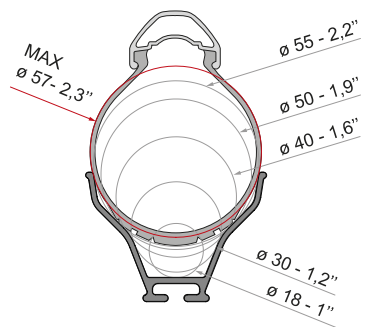
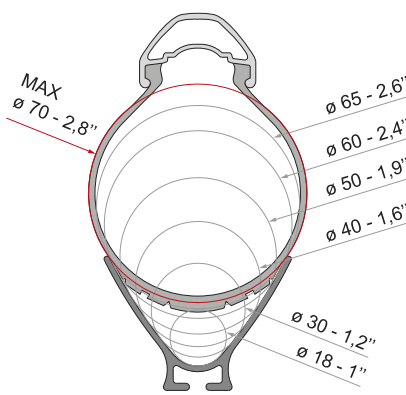
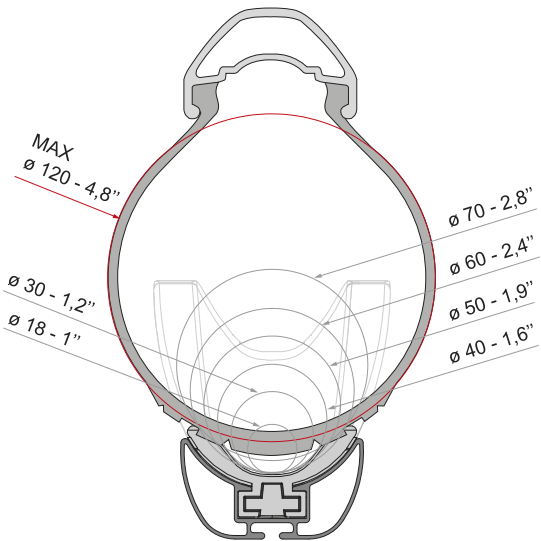
#### Rail Premium / S / XL



#### Rail Quick Pro

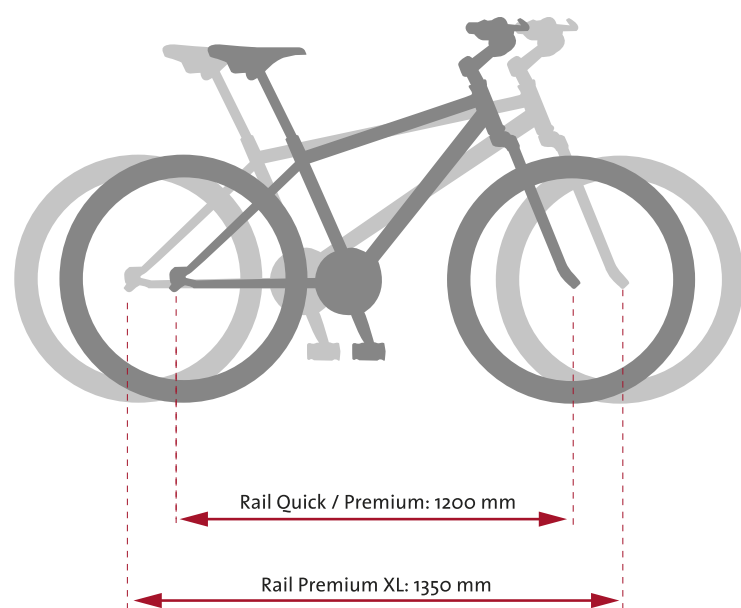


#### Rail Quick



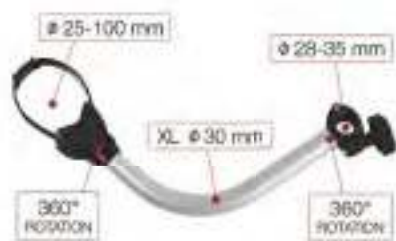
for measurements and details see page 218

### MAXIMUM WHEELBASE OF BICYCLE WHEELS



## BIKE- BLOCK

### Bike-Block PRO



The Quick front clamp with its large non-scratch base fits round and oval bike tubes with diameters from 25mm to 100mm.

Suitable for all Carry-Bike models. Bike-Block Pro D with articulated arm to cover all the medium sized Bike-Blocks.

### Bike-Block PRO S

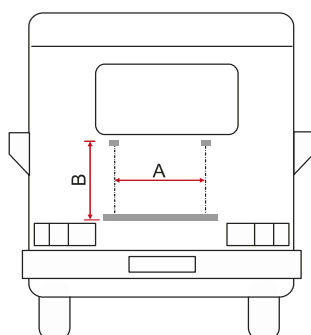
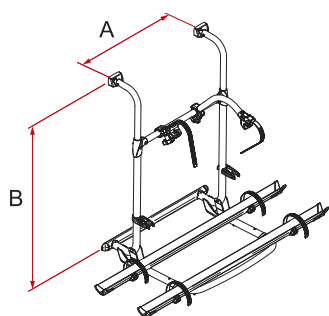


We have changed the position of the knob used to secure the Bike-Block to Carry-Bike to make the product more ergonomic, so that the clamp and bike mount can rotate freely.

The knob is now located at the front of the block, and the fixing of the anti-scratch rubber support has been improved to make it an example of design and convenience.

for measurements and details see page 222-223

Measurements of the horizontal and vertical wheelbases of the Carry-Bike range, which require installation on the rear wall of the vehicle.

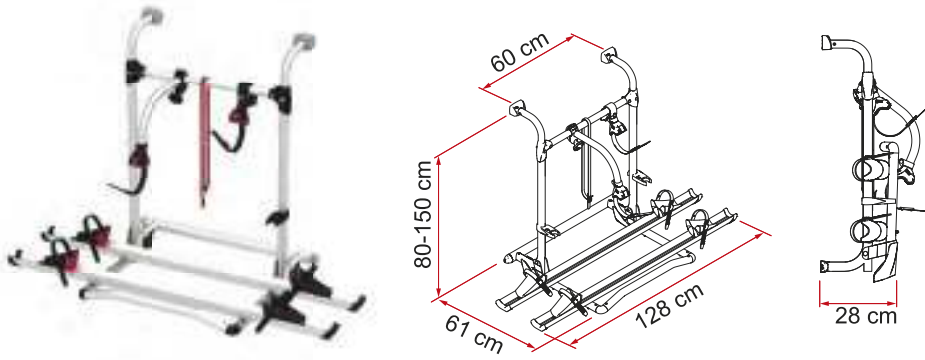


Description	Item No.	A Wheelbase	B Wheelbase	Bikes Max
Carry Bike Pro C	02094-10A	600 mm	400 - 500 mm	4
Carry Bike Pro M	02094-11A	600 mm	500 - 800 mm	4
Carry Bike Pro	02094-09A	600 mm	800 - 1500 mm	4
Carry Bike Pro C E-Bike	02094A13A	600 mm	400 - 500 mm	2
Carry Bike Pro E-Bike	02094A12A	600 mm	800 - 1500 mm	2
Carry Bike CL	02093B87A	600 mm	400 - 500 mm	3
Carry Bike UL	02093B86A	600 mm	800 - 1500 mm	3
Carry Bike Lift 77	02093F43A	600 mm	680 - 1080 mm	4
Carry Bike Lift 77 E-Bike	02093D43-	600 mm	680 - 1080 mm	2
Carry Bike Pro Hymer - Dethleffs	02093A64B	600 mm	900 - 1350 mm	4
Carry Bike Pro Autotrail	02093A98A	940 mm	800 - 1500 mm	2
Carry Bike Pro C L80	02093B59A	800 mm	400 - 500 mm	4
Carry Bike Trigano - C.i. - Roller Team	02093A57A	600 mm	375 mm	3
Carry Bike Carvan Hobby	02093A77A	600 mm	1010 mm	3
Carry Bike Caravan Universal	02093A76A	800 mm	1000 - 1800 mm	2
Carry Bike Simple Plus 200	02093A36A	600 mm	1100 - 1450 mm	2
Carry Bike Garage Plus	02093A78A	-	-	4
Carry Bike Garage Standard	02093A54A	-	-	3

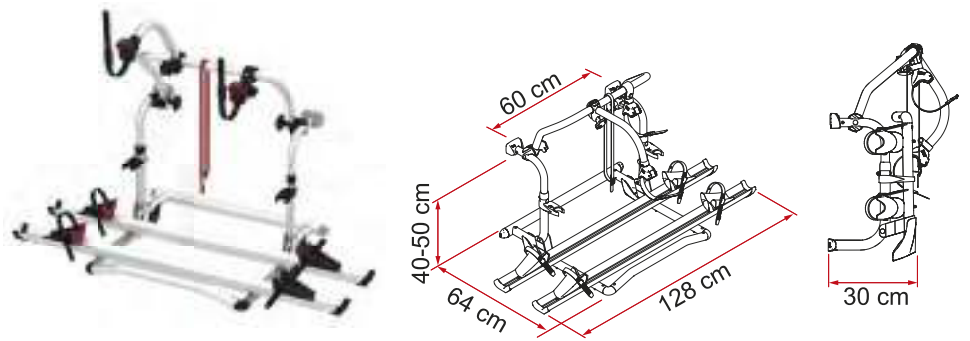


All Carry-Bike models for motorhomes dedicated to the transport of electric bicycles.

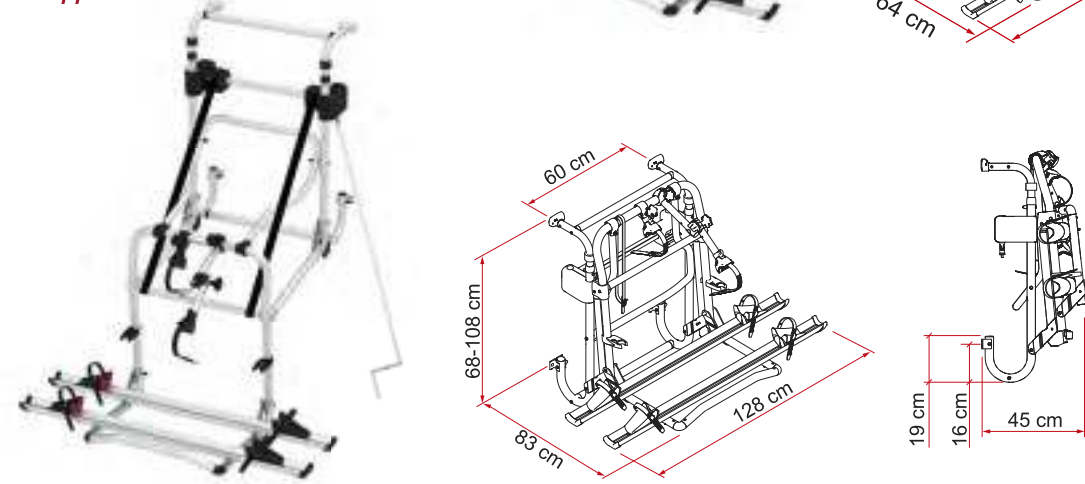
**Pro E-Bike**



**Pro C E-Bike**



**Lift 77 E-Bike**

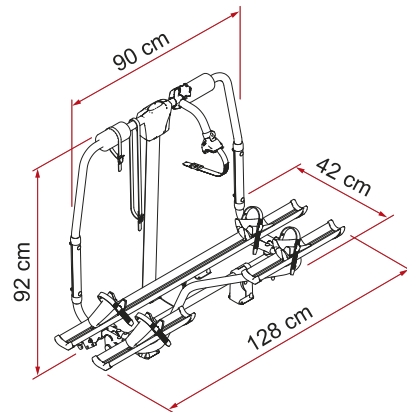


Description	Pro E-Bike	Pro C E-Bike	Lift 77 E-Bike
Item No.	02094B12A	02094B13A	02093E43A
Vehicle rear window / Rear door	-	window	-
TÜV	•	•	•
Weight	10,4 kg	9,9 kg	16,3 kg
Max load	60 kg	60 kg	50 kg
Bikes carried standard	2	2	2
Bikes carried max	2	2	2
Bike-Block Pro S D1			•
Bike-Block Pro S 1	•	•	•
Bike-Block Pro S 2	•	•	
Security Strip	•	•	•
Rail Premium	• (x2)	• (x2)	• (x2)
Brackets	•	•	•

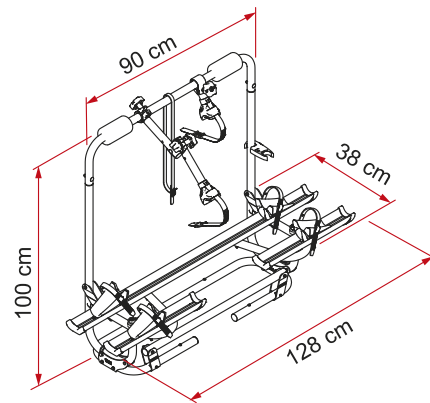


All Carry-Bike models for caravans dedicated to the transport of electric bicycles.

**Caravan Active E-Bike**



**Caravan XL A Pro 200 E-Bike**



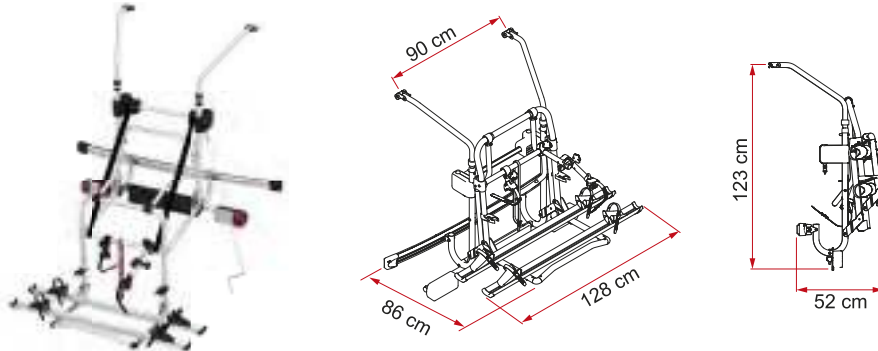
Description	Caravan Active E-Bike	Caravan XL A Pro 200 E-Bike
Item No.	02094A06A	02093E32A
Vehicle rear window / Rear door	-	-
TÜV		
Weight	10 kg	10 kg
Max load	60 kg	50 kg
Bikes carried standard	2	2
Bikes carried max	2	2
Strip Red	•	
Bike-Block Pro 1		•
Bike-Block Pro D1		•
Bike-Block Pro S 2	•	
Security Strip	•	•
Rail Premium	• (x2)	•
Mini Rail Premium		•
Brackets	•	•



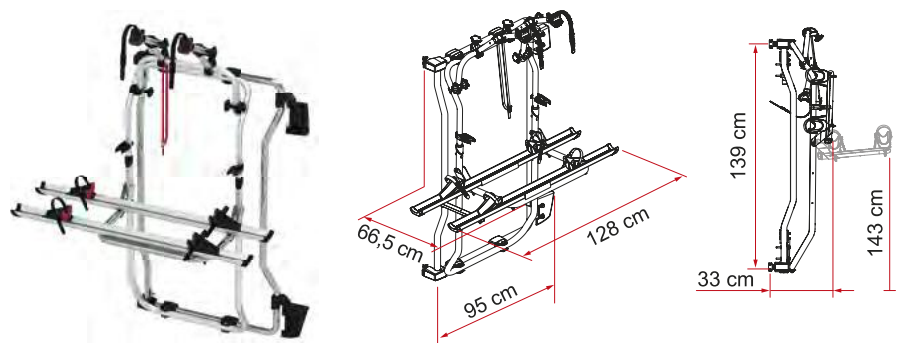


Carry-Bike models for campervan and van conversion dedicated to the transport of electric bicycles.

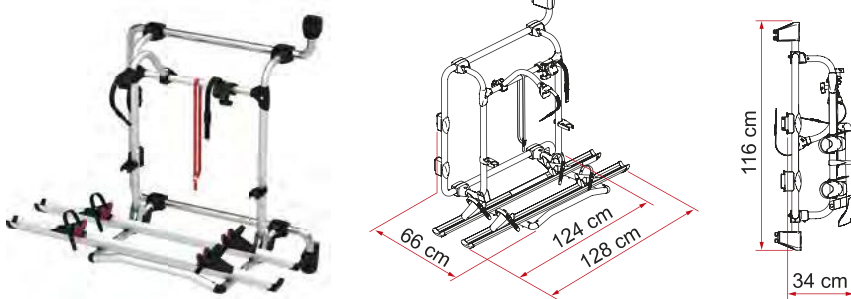
**Mercedes V Class Lift E-Bike**







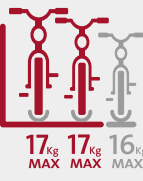
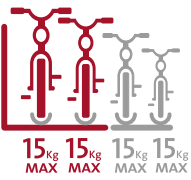
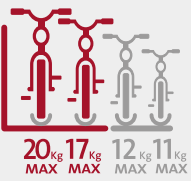
**Frame Ducato E-Bike**



**Frame Crafter E-Bike**



Description	Mercedes V Class Lift E-Bike	Frame Ducato E-Bike	Frame Crafter E-Bike
Item No.	02094A15A	02094-27A	02094-31A
Item No. Deep Black		02094A27A	-
Vehicle rear window / Rear door	Rear door	Rear door	Rear door
TÜV	•	-	-
Max load	20,5 kg	20,7 kg	16,7 kg
Bikes carried standard	60 kg	50 kg	50 kg
Bikes carried max	2	2	2
Bikes carried max	2	2	2
Licence Plate Carrier	•	•	•
Bike-Block Pro S D1	•	• (x2)	-
Bike-Block Pro S 1	•	-	-
Bike-Block Pro 1	-	-	•
Bike-Block Pro 3	-	-	•
Security Strip	•	•	•
Rail Premium	• (x2)	• (x2)	• (x2)
Brackets	•	•	•

		Diagram for the distribution of the weight on the rails			
Bikes Max *	2	A  18 <sup>kg</sup> 17 <sup>kg</sup> MAX MAX	B  20 <sup>kg</sup> 20 <sup>kg</sup> MAX MAX	C  25 <sup>kg</sup> 25 <sup>kg</sup> MAX MAX	D  30 <sup>kg</sup> 30 <sup>kg</sup> MAX MAX
	3	E  17 <sup>kg</sup> 17 <sup>kg</sup> 16 <sup>kg</sup> MAX MAX MAX			
	4	F1  15 <sup>kg</sup> 15 <sup>kg</sup> 15 <sup>kg</sup> 15 <sup>kg</sup> MAX MAX MAX MAX			
		F2  20 <sup>kg</sup> 17 <sup>kg</sup> 12 <sup>kg</sup> 11 <sup>kg</sup> MAX MAX MAX MAX			

\* Fiamma Carry-Bikes are delivered as standard with 2 rails.  
 The maximum number of bikes that can be transported with optional additional rails is shown in the chart at right.

## QUALITY & SAFETY



All Fiamma Carry-Bikes are rigorously tested in our laboratories before being released into the market, in order to grant the greatest security. Safety and Quality of most Fiamma Carry-Bike models are tested and approved by Tüv, which is a leading provider of product certifications for the worldwide market.



Development process of all Fiamma Carry-Bike models includes extreme and rigorous tests in our laboratories before being released into the market, in order to grant the greatest security.

	Item No.	Description	For E-Bike	Max load	Carry-Bike Weight	Bikes standard	Bikes max	Division Weight /rail
Motorhome	02094-09A	Carry-Bike PRO		60 kg	8,4 kg	2	4	F1 / F2
	02094-11A	Carry-Bike PRO M		60 kg	8,5 kg	2	4	F1 / F2
	02094-10A	Carry-Bike PRO C		60 kg	7,9 kg	2	4	F1 / F2
	02094B12A	Carry-Bike PRO E-Bike	•	60 kg	10,4 kg	2	2	D
	02094B13A	Carry-Bike PRO C E-Bike	•	60 kg	9,9 kg	2	2	D
	02093B86A	Carry-Bike UL		50 kg	5,6 kg	2	3	E
	02093B87A	Carry-Bike CL		50 kg	5,4 kg	2	3	E
	02093F43A	Carry-Bike LIFT 77		60 kg	18,3 kg	2	4	F1 / F2
	02093E43A	Carry-Bike LIFT 77 E-Bike	•	50 kg	16,3 kg	2	2	C
	02093A64B	Carry-Bike PRO Hymer - Dethleffs		60 kg	8,2 kg	2	4	F1 / F2
	02093A98A	Carry-Bike Autotrail		40 kg	12 kg	2	2	B
02093B59A	Carry-Bike Pro C L80		60 kg	7,9 kg	2	4	F1 / F2	
02093A57A	Carry-Bike Trigano - CI - Roller Team		50 kg	5,2 kg	2	3	E	
Caravan	02094-23A	Carry-Bike Caravan XL A		35 kg	5,3 kg	2	2	A
	02093B91A	Carry-Bike Caravan XL A Pro		50 kg	9 kg	2	3	E
	02093C91A	Carry-Bike Caravan XL A Pro - Deep Black		50 kg	9 kg	2	3	E
	02093F32A	Carry-Bike Caravan XL A Pro 200		50 kg	7,5 kg	2	2	C
	02093G32A	Carry-Bike Caravan XL A Pro 200 - Deep Black		50 kg	7,5 kg	2	2	C
	02093E32A	Carry-Bike Caravan XL A Pro 200 E-Bike	•	50 kg	10 kg	2	2	C
	02094-05A	Carry-Bike Caravan Active		50 kg	7,5 kg	2	3	E
	02094A06A	Carry-Bike Caravan Active E-Bike	•	60 kg	10 kg	2	2	D
	02093A77A	Carry-Bike Caravan Hobby		50 kg	5,6 kg	2	3	E
	02093A76A	Carry-Bike Caravan Universal		35 kg	7,5 kg	2	2	A
	02093A36A	Carry-Bike Simple Plus 200		35 kg	6,4 kg	2	2	A
Campervan	02094B08A	Carry-Bike VW T6 Pro		60 kg	14 kg	2	4	F1 / F2
	02094A08A	Carry-Bike VW T6 Pro - Deep Black		60 kg	14 kg	2	4	F1 / F2
	02094-20A	Carry-Bike VW T6		60 kg	14 kg	2	4	F1 / F2
	02093E71A	Carry-Bike VW T5 Pro		60 kg	14 kg	2	4	F1 / F2
	02094-17A	Carry-Bike VW T5		60 kg	8,3 kg	2	4	F1 / F2
	02094-18A	Carry-Bike VW T4		60 kg	8,3 kg	2	4	F1 / F2
	02093B79A	Carry-Bike VW T5 / T6 D		35 kg	7,7 kg	2	2	A
	02094-22A	Carry-Bike VW T4 D		35 kg	7,7 kg	2	2	A
	02094-19A	Carry-Bike VW T3 - T25		50 kg	6,5 kg	2	3	E
	02093B63A	Carry-Bike VW T2		35 kg	7,0 kg	2	2	A
	02094-24A	Carry-Bike VW Caddy		60 kg	10,0 kg	2	4	F1 / F2
	02093B75A	Carry-Bike Mercedes Viano		50 kg	10 kg	2	3	E
	02093A05A	Carry-Bike Mercedes Vito		60 kg	8,7 kg	2	4	F1 / F2
	02094B14A	Carry-Bike Mercedes V Class Premium		60 kg	12,5 kg	2	4	F1 / F2
	02094A15A	Carry-Bike Mercedes V Class Lift E-Bike	•	60 kg	20,5 kg	2	2	D
	02093B72A	Carry-Bike Opel Vivaro - Renault Trafic		60 kg	8,7 kg	2	4	F1 / F2
	02094B07A	Carry-Bike Ford Custom		50 kg	8,5 kg	2	3	E
	02093A60A	Carry-Bike Ford Transit		50 kg	7,1 kg	2	3	E
	02093B74A	Carry-Bike Renault Trafic D		35 kg	8,2 kg	2	2	A
02094-28A	Carry-Bike PSA		60 kg	14,0 kg	2	4	F1 / F2	
02094A28A	Carry-Bike PSA - DB		60 kg	14,0 kg	2	4	F1 / F2	
Van conversion	02094-31A	Carry-Bike VW Frame Crafter E-Bike	•	50 kg	16,7 kg	2	2	C
	02094-33A	Carry-Bike VW Frame Crafter 3 Bikes		50 kg	17,6 kg	3	3	E
	02094-32A	Carry-Bike Frame Ducato 3 Bikes- > 2006		50 kg	21,6 kg	3	3	E
	02094A32A	Carry-Bike Frame Ducato 3 Bikes - > 2006 - DB		50 kg	21,6 kg	3	3	E
	02094-27A	Carry-Bike Frame Ducato E-Bike - > 2006	•	50 kg	20,7 kg	2	2	C
	02094A27A	Carry-Bike Frame Ducato E-Bike - > 2006 - DB	•	50 kg	20,7 kg	2	2	C
	02094-26A	Carry-Bike 200 DJ Ducato - > 2006		35 kg	9,0 kg	2	2	A
	02094A26A	CB 200 DJ Ducato - > 2006 - Deep Black		35 kg	9,0 kg	2	2	A
	02093A65A	Carry-Bike 200 DJ Ducato - < 2006		35 kg	9,0 kg	2	2	A
	02093B93A	Carry-Bike 200 DJ Sprinter - > 2006		35 kg	9,0 kg	2	2	A
	02093A93A	Carry-Bike 200 DJ Sprinter - > 2006 - Deep Black		35 kg	9,0 kg	2	2	A
02093A15A	Carry-Bike 200 D		35 kg	6,9 kg	2	2	A	
SUV	02093A38-	Carry-Bike Backpack		50 kg	8,0 kg	2	3	E
	02093B38-	Carry-Bike Backpack 4x4		35 kg	7,8 kg	2	2	A
Garage	02093A78A	Garage Plus		60 kg	5,6 kg	2	4	F1 / F2
	02093A54A	Garage Standard		50 kg	4,8 kg	2	3	E
	04822-05-	Garage Slide Pro Bike		50 kg	9,9 kg	2	2	C
	98655A911	Garage Pack Plus		-	5,0 kg	2	3	-
	98655A910	Garage Pack		-	4,0 kg	2	3	-



	Item No.	Description	Strip	Security Strip	Bike-Block	Model of rail delivered as standard
Motorhome	02094-09A	Carry-Bike PRO	-	•	Pro 1 - Pro 3	Quick Pro
	02094-11A	Carry-Bike PRO M	-	•	Pro 1 - Pro 3	Quick Pro
	02094-10A	Carry-Bike PRO C	-	•	Pro 1 - Pro 3	Quick Pro
	02094B12A	Carry-Bike PRO E-Bike	-	•	Pro S 1 - Pro S 2	Premium
	02094B13A	Carry-Bike PRO C E-Bike	-	•	Pro S 1 - Pro S 2	Premium
	02093B86A	Carry-Bike UL	1	•	Pro 3	Quick Pro
	02093B87A	Carry-Bike CL	1	•	Pro 2	Quick Pro
	02093F43A	Carry-Bike LIFT 77	-	•	Pro 1 - Pro 3	Quick Pro
	02093E43A	Carry-Bike LIFT 77 E-Bike	-	•	Pro S 1 - Pro S D1	Premium
	02093A64B	Carry-Bike PRO Hymer - Dethleffs	-	•	Pro 1 - Pro 3	Quick Pro
	02093A98A	Carry-Bike Autotrail	-	•	Pro 2 - Pro 3	Quick Pro
	02093B59A	Carry-Bike Pro C L80	-	•	Pro 1 - Pro 3	Quick Pro
02093A57A	Carry-Bike Trigano - Cl - Roller Team	1	•	Pro 3	Quick Pro	
Caravan	02093-23A	Carry-Bike Caravan XL A	2	•	-	Quick Pro
	02093B91A	Carry-Bike Caravan XL A Pro	1	•	Pro 3	Quick Pro
	02093C91A	Carry-Bike Caravan XL A Pro - DB	1	•	Pro 3	Quick Pro
	02093F32A	Carry-Bike Caravan XL A Pro 200	1	•	Pro 2	Quick Pro
	02093G32A	Carry-Bike Caravan XL A Pro 200 - DB	1	•	Pro 2	Quick Pro
	02093E32A	Carry-Bike Caravan XL A Pro 200 E-Bike	1	•	Pro 1 - Pro D 1	Premium
	02094-05A	Carry-Bike Caravan Active	-	•	Pro S 3	Quick
	02094A06A	Carry-Bike Caravan Active E-Bike	1	•	Pro S 2	Premium
	02093A77A	Carry-Bike Caravan Hobby	1	•	Pro 3	Quick Pro
	02093A76A	Carry-Bike Caravan Universal	-	•	Pro 1 - Pro 2	Quick Pro
02093A36A	Carry-Bike Simple Plus 200	-	•	Pro 1 - Pro 2	Quick Pro	
Campervan	02094B08A	Carry-Bike VW T6 Pro	1	•	Pro S D1 - Pro S D2	Premium
	02094A08A	Carry-Bike VW T6 Pro - Deep Black	1	•	Pro S D1 - Pro S D2	Premium
	02094-20A	Carry-Bike VW T6	1	•	Pro 1 - Pro D2	Quick Pro
	02093E71A	Carry-Bike VW T5 Pro	1	•	Pro S D1 - Pro S D2	Premium
	02094-17A	Carry-Bike VW T5	-	•	Pro 1 - Pro D2	Quick Pro
	02094-18A	Carry-Bike VW T4	-	•	Pro 1 - Pro 3	Quick Pro
	02093B79A	Carry-Bike VW T5 / T6 D	-	•	Pro S 1 - Pro S 2	Premium
	02094-22A	Carry-Bike VW T4 D	-	•	Pro 1 - Pro 2	Premium
	02094-19A	Carry-Bike VW T3 - T25	-	•	Pro 1 - Pro 3	Quick Pro
	02093B63A	Carry-Bike VW T2	-	•	Pro 1 - Pro 2	Quick Pro
	02094-24A	Carry-Bike VW Caddy	-	•	Pro 1 - Pro 3	Quick Pro
	02093B75A	Carry-Bike Mercedes Viano	-	•	Pro S 1 - Pro S 3	Quick Pro
	02093A05A	Carry-Bike Mercedes Vito	-	•	Pro 1 - Pro 3	Quick Pro
	02094B14A	Carry-Bike Mercedes V Class Premium	-	•	Pro S 1 - Pro S 3	Premium
	02094A15A	Carry-Bike Mercedes V Class Lift E-Bike	-	•	Pro S D1 - Pro S 1	Premium
	02093B72A	Carry-Bike Opel Vivaro - Renault Trafic	-	•	Pro S 1 - Pro S 3	Quick Pro
	02094B07A	Carry-Bike Ford Custom	-	•	Pro S 1 - Pro S 3	Quick Pro
	02093A60A	Carry-Bike Ford Transit	-	•	Pro 1 - Pro 3	Quick Pro
	02093B74A	Carry-Bike Renault Trafic D	-	•	Pro 1 - Pro 2	Premium
	02094-28A	Carry-Bike PSA	-	•	Pro S 1 - Pro S 3	Quick Pro
02094A28A	Carry-Bike PSA - DB	-	•	Pro S 1 - Pro S 3	Quick Pro	
Van conversion	02094-31A	Carry-Bike VW Frame Crafter E-Bike	-	•	Pro 1 - Pro 3	Premium
	02094-33A	Carry-Bike VW Frame Crafter 3 Bikes	-	•	Pro 1 - Pro 2 - Pro 3	Quick Pro
	02094-32A	Carry-Bike Frame Ducato 3 Bikes - > 2006	-	•	Pro S D1 - Pro S D2	Quick Pro
	02094A32A	Carry-Bike Frame Ducato 3 Bikes - > 2006 - DB	-	•	Pro S D1 - Pro S D2	Quick Pro
	02094-27A	Carry-Bike Frame Ducato E-Bike - > 2006	-	•	Pro S D1 - Pro S D1	Premium
	02094A27A	Carry-Bike Frame Ducato E-Bike - > 2006 - DB	-	•	Pro S D1 - Pro S D1	Premium
	02094-26A	Carry-Bike 200 DJ Ducato - > 2006	-	•	Pro S D1 - Pro S D1	Premium
	02094A26A	CB 200 DJ Ducato - > 2006 - DB	-	•	Pro S D1 - Pro S D1	Premium
	02093A65A	Carry-Bike 200 DJ Ducato - < 2006	-	•	Pro 1 - Pro 2	Premium
	02093B93A	Carry-Bike 200 DJ Sprinter - > 2006	-	•	Pro S 1 - Pro S 2	Premium
02093A93A	Carry-Bike 200 DJ Sprinter - > 2006 - DB	-	•	Pro S 1 - Pro S 2	Premium	
02093A15A	Carry-Bike 200 D	-	•	Pro 1 - Pro 2	Premium	
SUV	02093A38-	Carry-Bike Backpack	-	•	Pro 1 - Pro 3	Quick Pro
	02093B38-	Carry-Bike Backpack 4x4	-	•	Pro 1 - Pro 2	Strip
Garage	02093A78A	Garage Plus	-	•	Pro 1 - Pro 3	Quick Pro
	02093A54A	Garage Standard	-	•	Pro 1 - Pro 3	Strip Pro
	04822-05-	Garage Slide Pro Bike	2	•	-	-
	98655A911	Garage Pack Plus	4	•	Pro D1 - Pro D2	Strip Pro
	98655A910	Garage Pack	4	•	-	Strip Pro

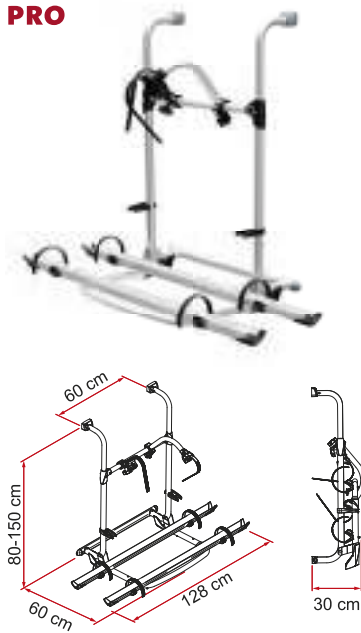




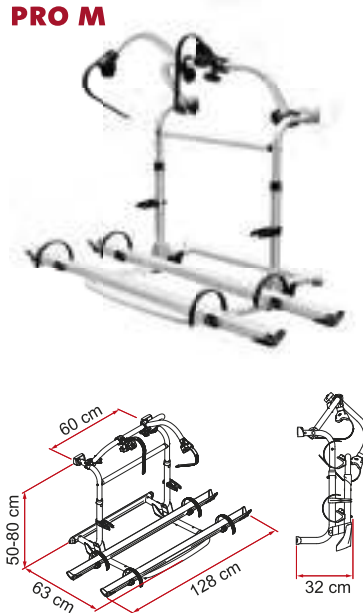
# Pro Series

The Pro Line of Bike Carriers provide the solution to transport up to 4 bikes with height installation possibilities for almost every eventuality – from 40cm – 150cm.

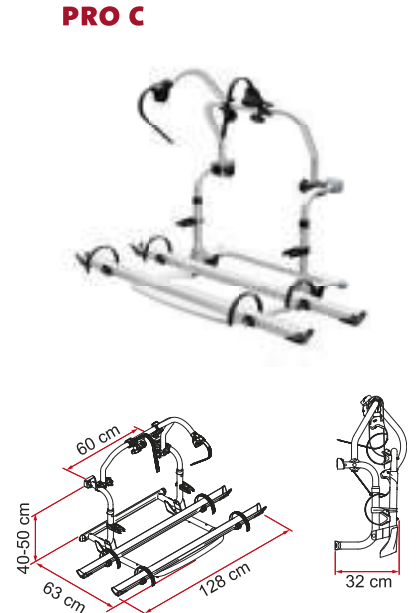
## PRO



## PRO M



## PRO C

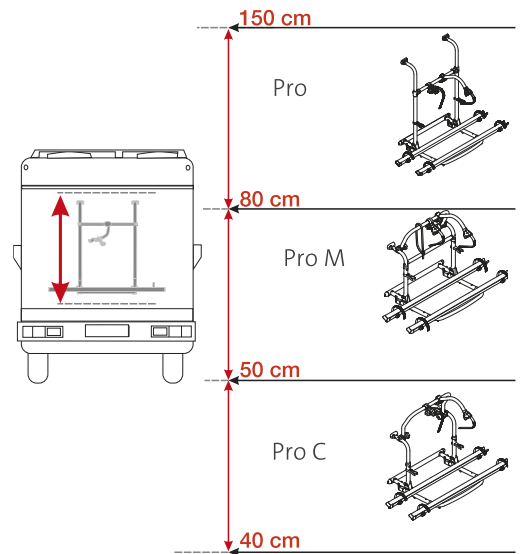


## GENERAL INFORMATION

- The adjustable structure allows installation with different wheelbase, from min 40cm (Pro C) to max 150cm (Pro) Carries up to 4 bicycles
- Delivered as standard with 2 Rail Quick Pro, 1 Bike-Block Pro 1 and 1 Bike-Block Pro 3
- Carry-Bike Pro N version (without installation brackets) available for vehicles already equipped with original Fiamma brackets
- The C version is ideal for vehicles with a rear window
- Delivered as standard with bottom support bar (fixing system)

## TECHNICAL FEATURES

- Weight: 8,4 - 8,5 - 7,9kg
- Maximum loading weight: 60kg
- Distance between rails: 15cm
- Possibility to extend the rail support base up to 76cm in case of configuration with 4 rails
- Possibility of transporting two electric bikes by purchasing the Kit Upgrade E-Bike (Item No. 98656Mo55)



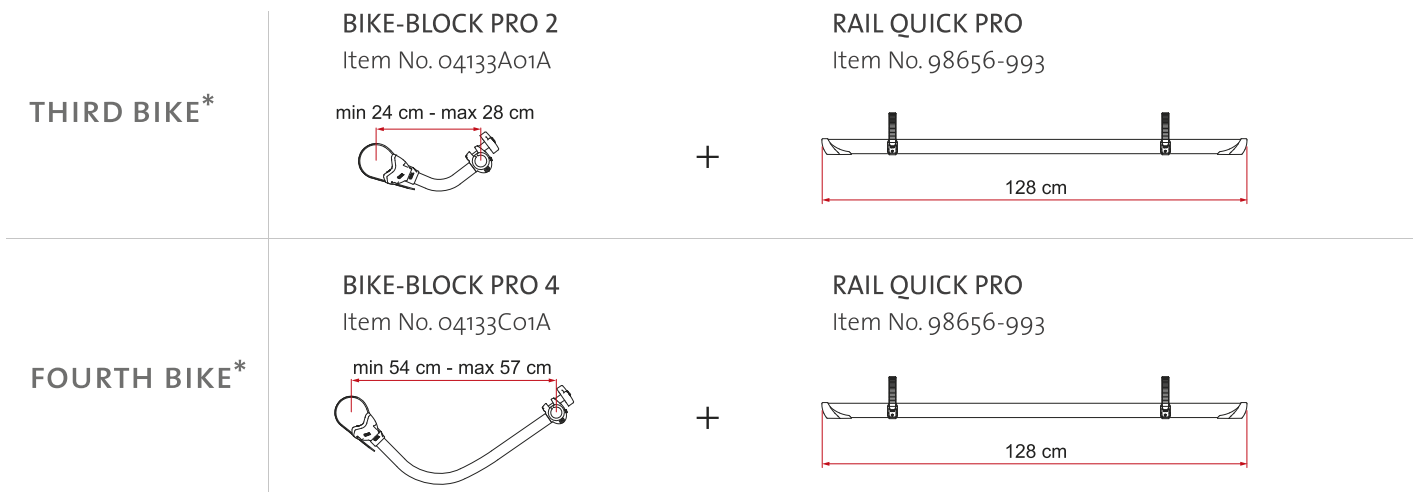
## + ACCESSORIES

- |                      |                                     |                             |                      |
|----------------------|-------------------------------------|-----------------------------|----------------------|
| • Bike-Block Pro     | • Rail Premium / XL                 | • Ultra-Box 320 - 360 - 500 | • Easy Dry           |
| • Bike-Block Pro D   | • Rail Premium S                    | • Cable-Lock                | • Bike Frame Adapter |
| • Bike-Block Pro S   | • Rail Premium S Fat Bike           | • Bike Cover S              | • Alu Signal         |
| • Bike-Block Pro S D | • Kit Upgrade E-Bike                | • Bike Cover Premium S      | • Plastic Signal     |
| • Rail Quick Pro     | • Cargo Back + Kit Frame Cargo Back |                             |                      |



## INSTALLATION OF THE ADDITIONAL RAILS

The diagram suggests the combination between additional Bike-Block and Rail to safely transport up to 4 bikes



\* It is advisable to load the lightest bicycle on the outer rail

Description	Colour	Item No.	EAN code	Third Bike		Fourth Bike	
				Bike-Block	Rail	Bike-Block	Rail
Pro	black	02094-09A	8004815349516	04133A01A	98656-993	04133C01A	98656-993
Pro (version blue)	blue	02094-09B	8004815357177	04133A01B	98656Mo40	04133C01A	98656Mo40
Pro N**	black	02094-09V	8004815349530	04133A01A	98656-993	04133C01A	98656-993
Pro M	black	02094-11A	8004815349554	04133A01A	98656-993	04133C01A	98656-993
Pro M (blue version)	blue	02094-11B	8004815357191	04133A01B	98656Mo40	04133C01A	98656Mo40
Pro M N**	black	02094-11V	8004815349561	04133A01A	98656-993	04133C01A	98656-993
Pro C	black	02094-10A	8004815349523	04133A01A	98656-993	04133C01A	98656-993
Pro C (blue version)	blue	02094-10B	8004815357184	04133A01B	98656Mo40	04133C01A	98656Mo40
Pro C N**	black	02094-10V	8004815349547	04133A01A	98656-993	04133C01A	98656-993

\* plastic details

\* N version (Item No. 02094-09V, 02094-11V and 02094-10V) for vehicles with Fiamma original brackets pre-installed on it.  
Of blue version ask availability and delivery.

Description	Weight	Max load	Bikes carried standard	Bikes carried max
Pro	8,4 kg	60 kg	2	4
Pro N				
Pro M	8,5 kg			
Pro M N				
Pro C	7,9 kg			
Pro C N				



Available the E-Bike version, see page 153

## KIT UPGRADE E-BIKE

Complete rail support base for Pro Series bike carriers with two Rail Premium, structurally designed to carry two electric bicycles.

Description	Item No.	EAN code
Kit Upgrade E-Bike	98656M137	8004815383190



Installation Pro / Pro N



Installation Pro C / Pro M



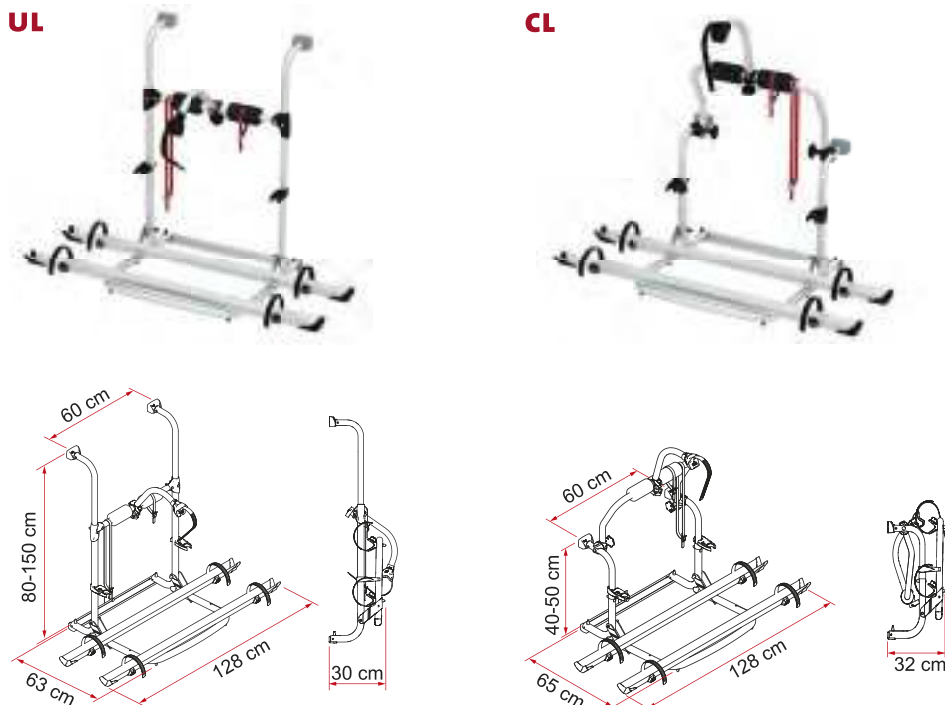
### + ACCESSORIES

- Rail Premium XL



# L Series

The L series of Fiamma Carry-Bikes are the ideal solution for transporting up to three bicycles in total safety and at low cost. A modern, reliable and aesthetically pleasing range.



## GENERAL INFORMATION

- The adjustable structure allows installation with different wheelbase, from min 40cm (CL) to max 150cm (UL)
- Can carry up to 3 bikes
- Delivered as standard with 2 Rail Quick Pro, 1 Strip Red and 1 Bike-Block Pro 3

## TECHNICAL FEATURES

- Weight: 5,6 - 5,6kg
- Maximum loading weight: 50kg
- Distance between rails: 15cm
- UL with reduced projection

## + ACCESSORIES

- |                      |                                     |                             |                      |
|----------------------|-------------------------------------|-----------------------------|----------------------|
| • Bike-Block Pro     | • Rail Quick Pro                    | • Ultra-Box 320 - 360 - 500 | • Bike Frame Adapter |
| • Bike-Block Pro D   | • Rail Premium                      | • Cable-Lock                | • Alu Signal         |
| • Bike-Block Pro S   | • Rail Premium S                    | • Bike Cover S              | • Plastic Signal     |
| • Bike-Block Pro S D | • Cargo Back + Kit Frame Cargo Back | • Easy Dry                  |                      |





## INSTALLATION OF THE ADDITIONAL RAILS

The diagram suggests the combination between additional Bike-Block and Rail to safely transport up to 3 bikes



Description	Colour*	Item No.	EAN code	Third Bike	
				Bike-Block	Rail
UL	black	02093B86A	8004815367480	04133A01A	98656-993
UL	blue	02093B86B	8004815368999	04133A01B	98656M040
UL	grey	02093B86G	8004815369002	04133A01G	98656M284
CL	black	02093B87A	8004815367497	04133A01A	98656-993
CL	blue	02093B87B	8004815369019	04133A01B	98656M040
CL	grey	02093B87G	8004815369026	04133A01G	98656M284

\* plastic details

The Strip Red can be replaced with the Bike-Block Pro 1 (for the first bicycle).

Description	Colour*	Item No.	EAN code
Bike-Block Pro 1	black	04133-01A	8004815130879
Bike-Block Pro 1	blue	04133-01B	8004815130886
Bike-Block Pro 1	grey	04133-01G	8004815141462

\* plastic details

Description	Weight	Max load	Bikes carried standard	Bikes carried max
UL	5,6 kg	50 kg	2	3
CL				



Installation  
UL



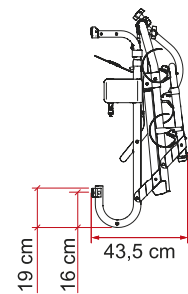
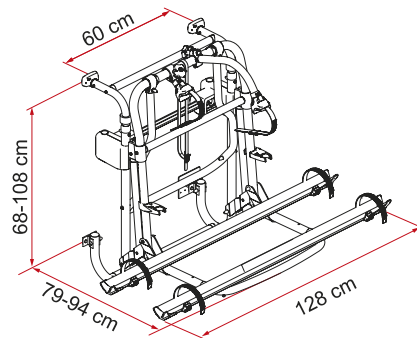
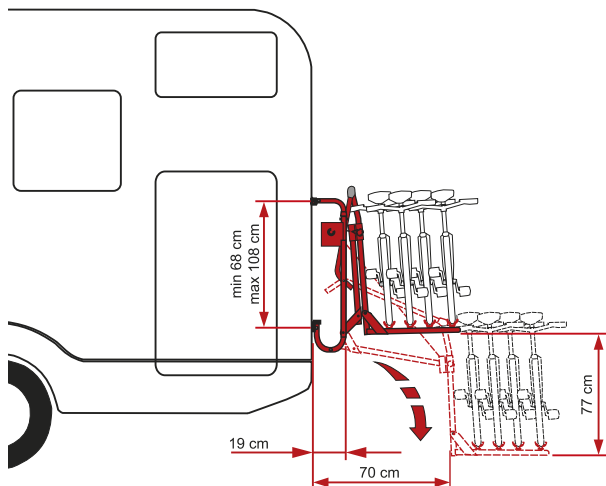
Installation  
CL





# Lift 77

It lowers as much as 77cm enabling the bikes to be loaded and unloaded easily. It has a practical operating position and magnetic hooking to the handle for further operator ease of use.



## GENERAL INFORMATION

- Wall fixing points range from 68 to 108cm.
- Can carry up to 4 bikes
- Delivered as standard with 2 Rail Quick Pro, 1 Bike-Block Pro 1 and 1 Bike-Block Pro 3
- Available the E-Bike version (see page 153)

## TECHNICAL FEATURES

- Weight: 18,3kg
- Maximum loading weight: 60kg
- Distance between rails: 15cm
- Possibility to extend the rail support base up to 76cm in case of configuration with 4 rails



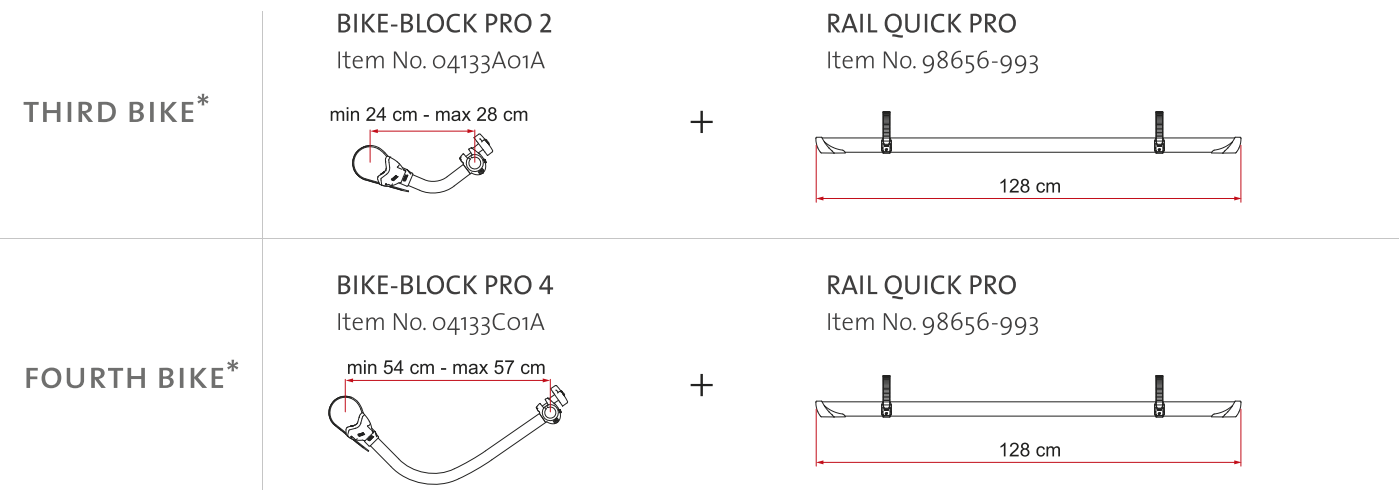
## + ACCESSORIES

- |                      |                           |                                     |                      |
|----------------------|---------------------------|-------------------------------------|----------------------|
| • Bike-Block Pro     | • Rail Quick Pro          | • Cargo Back + Kit Frame Cargo Back | • Easy Dry           |
| • Bike-Block Pro D   | • Rail Premium / XL       | • Ultra-Box 320 - 360 - 500         | • Bike Frame Adapter |
| • Bike-Block Pro S   | • Rail Premium S          | • Cable-Lock                        | • Alu Signal         |
| • Bike-Block Pro S D | • Rail Premium S Fat Bike | • Bike Cover Premium S              | • Plastic Signal     |



## INSTALLATION OF THE ADDITIONAL RAILS

The diagram suggests the combination between additional Bike-Block and Rail to safely transport up to 4 bikes



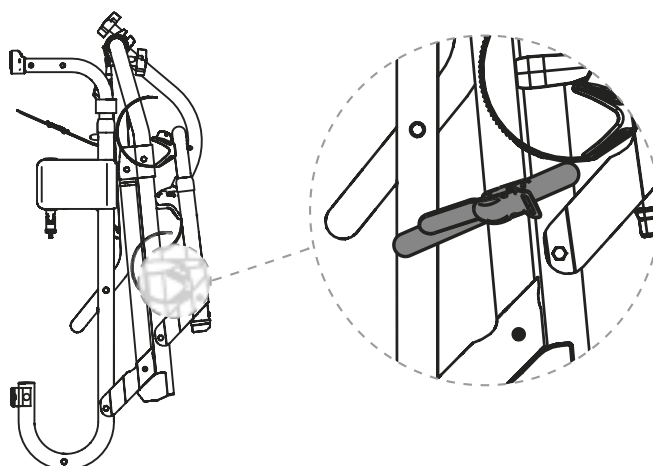
\* It is advisable to load the lightest bicycle on the outer rail

Description	Colour*	Item No.	EAN code	Third Bike		Fourth Bike	
				Bike-Block	Rail	Bike-Block	Rail
LIFT 77	black	02093F43A	8004815397777	04133A01A	98656-993	04133C01A	98656-993
LIFT 77	blue	02093F43B	8004815397784	04133A01B	98656M040	04133C01B	98656M040

\* plastic details

Description	Weight	Max load	Bikes carried standard	Bikes carried max
LIFT 77	18,3 kg	60 kg	2	4

Before leaving, hook always the two security straps.



E-Bike 

Available the E-Bike version, see page 153



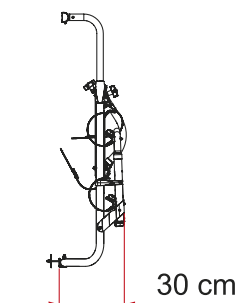
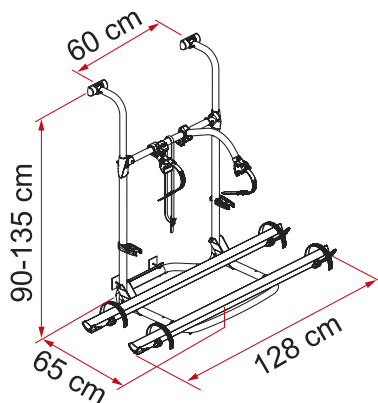
Installation



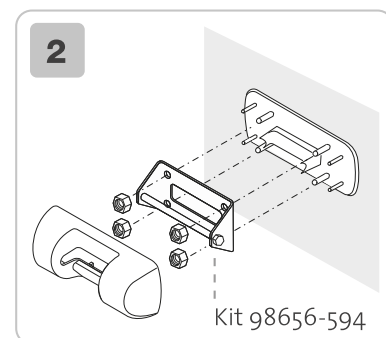
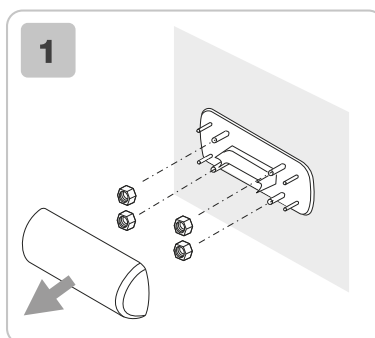
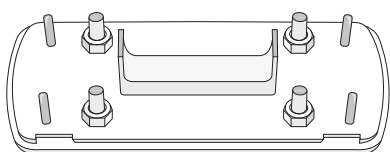


# Pro Hymer - Dethleffs

Carry-Bike Pro in blue version, suitable for Hymer motorhomes with preinstalled upper fixing brackets.



## FIXING BRACKETS HYMER



## GENERAL INFORMATION

- Wall fixing points range from 90 to 135cm.
- Can carry up to 4 bikes
- Delivered as standard with 2 Rail Quick Pro, 1 Bike-Block Pro 1 and 1 Bike-Block Pro 3



## TECHNICAL FEATURES

- Weight: 8,2kg
- Maximum loading weight: 60kg
- Distance between rails: 15cm
- Possibility to extend the rail support base up to 76cm in case of configuration with 4 rails



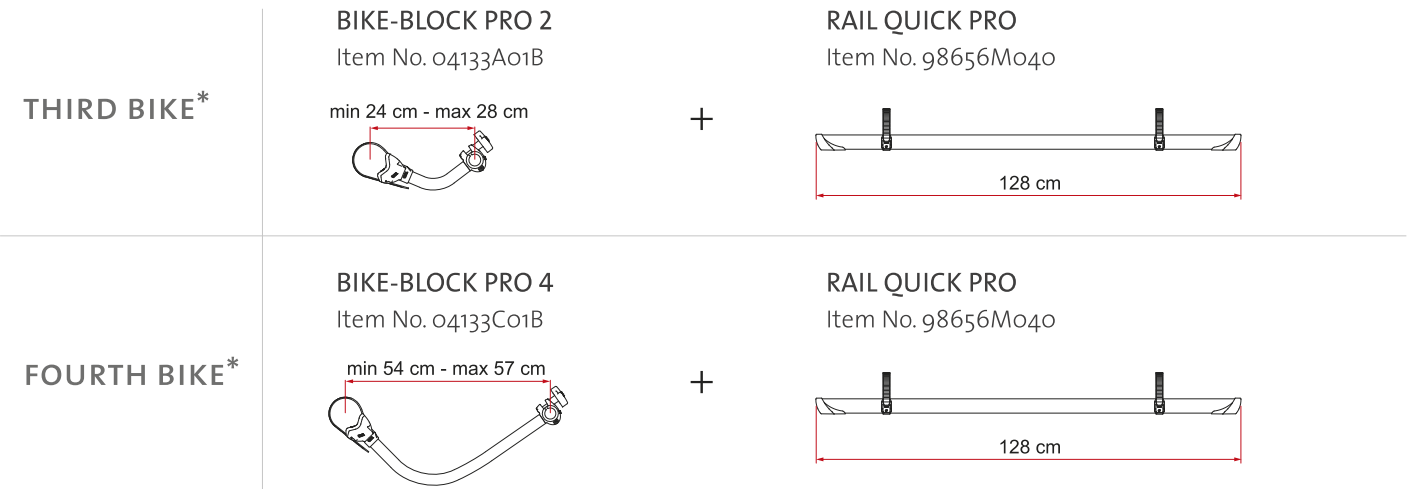
## + ACCESSORI

- |                      |                                     |                             |                      |
|----------------------|-------------------------------------|-----------------------------|----------------------|
| • Bike-Block Pro     | • Rail Premium                      | • Bike Cover S              | • Easy Dry           |
| • Bike-Block Pro D   | • Rail Premium S                    | • Bike Cover Premium S      | • Bike Frame Adapter |
| • Bike-Block Pro S   | • Rail Premium XL                   | • Kit Dethleffs before 2010 | • Alu Signal         |
| • Bike-Block Pro S D | • Cargo Back + Kit Frame Cargo Back | • Kit Dethleffs after 2010  | • Plastic Signal     |
| • Rail Quick Pro     | • Cable-Lock                        | • Ultra-Box 320-360-500     |                      |



## INSTALLATION OF THE ADDITIONAL RAILS

The diagram suggests the combination between additional Bike-Block and Rail to safely transport up to 4 bikes



\* It is advisable to load the lightest bicycle on the outer rail

Description	Colour*	Item No.	EAN code	Third Bike		Fourth Bike	
				Bike-Block	Rail	Bike-Block	Rail
Pro Hymer Dethleffs	blue	02093A64B	8004815397746	04133A01B	98656M040	04133C01B	98656M040

\* plastic details

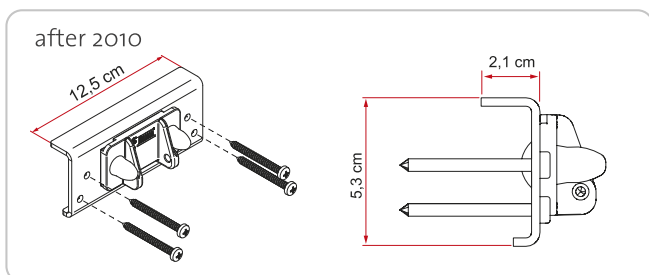
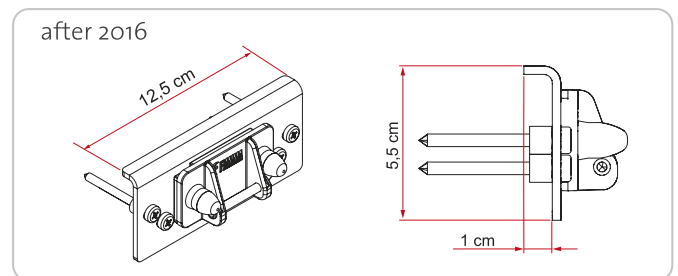
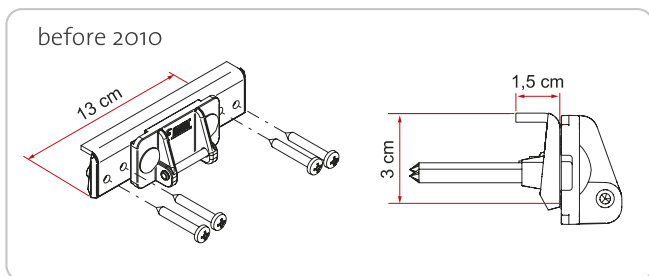
Description	Weight	Max load	Bikes carried standard	Bikes carried max
Pro Hymer Dethleffs	8,2 kg	60 kg	2	4

Installation



## KIT DETHLEFFS, CARADO, SUNLIGHT

Available on request, for Dethleffs motorhomes, the upper brackets kit to be installed on the standard profile. To be used with Carry-Bike Pro Hymer-Dethleffs.

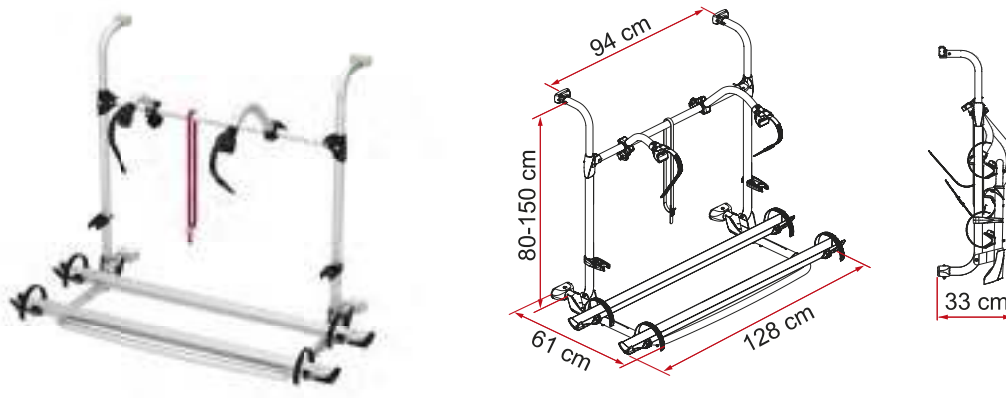


Description	Weight	Item No.	EAN Code
Kit Dethleffs before 2010	0,4 kg	98656-640	8004815271299
Kit Dethleffs after 2010	0,5 kg	98656-725	8004815295806
Kit Dethleffs after 2016	0,6 kg	98656M296	8004815401153



# Pro Autotrail

Enlarged edition of Carry-Bike Pro for Autotrail motorhomes from 2011 with integrated spare wheel moulding (rounded type).

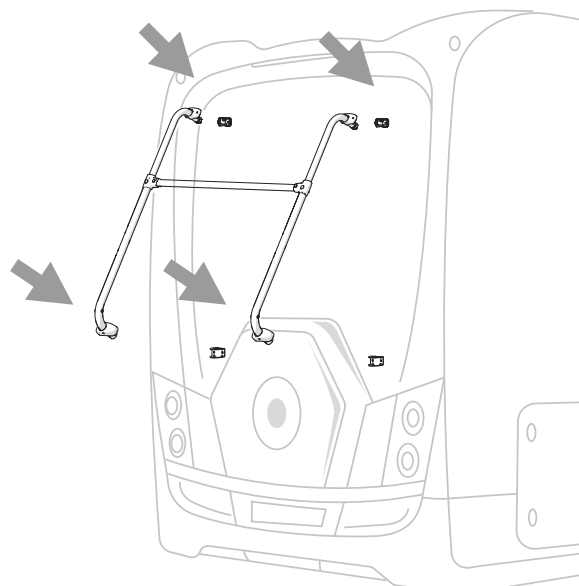


## GENERAL INFORMATION

- Wall fixing points range from 80 to 150cm.
- Delivered as standard with 2 Rail Quick Pro, 1 Bike-Block Pro 2 and 1 Bike-Block Pro 3

## TECHNICAL FEATURES

- Weight: 12kg
- Maximum loading weight: 40kg
- Distance between rails: 15cm



Description	Item No.	EAN code	Weight	Max load	Bikes carried standard	Bikes carried max
Pro Autotrail	02093A98A	8004815397722	12 kg	40 kg	2	2



## + ACCESSORIES

- Bike-Block Pro D
- Bike-Block Pro S
- Bike-Block Pro S D
- Rail Premium
- Cable-Lock
- Bike Cover S
- Bike Frame Adapter
- Alu Signal
- Plastic Signal



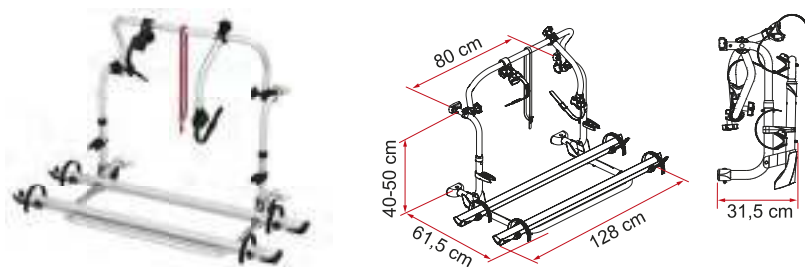
Installation





# Pro C L80

This Carry-Bike is a Pro C version that has fixing points that are 80cm wide, suitable for Laika motorhomes.



## GENERAL INFORMATION

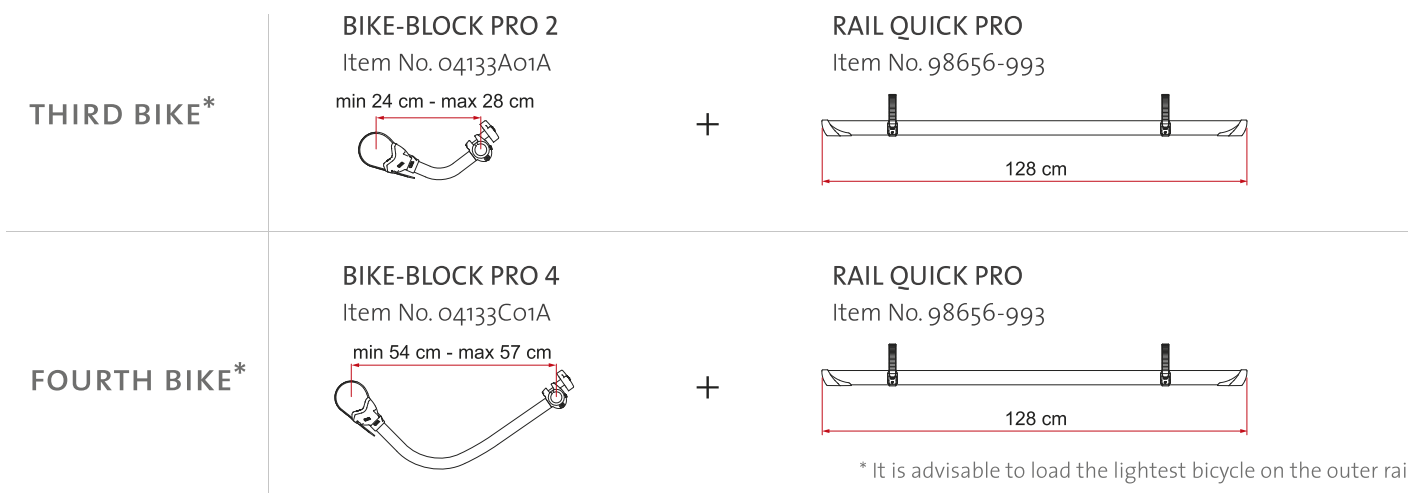
- Wall fixing points range from 40 to 50cm.
- Can carry up to 4 bikes
- Delivered as standard with 2 Rail Quick Pro, 1 Bike-Block Pro 1 and 1 Bike-Block Pro 3

## TECHNICAL FEATURES

- Weight: 7,9kg
- Maximum loading weight: 60kg
- Distance between rails: 15cm
- Possibility to extend the rail support base up to 76cm in case of configuration with 4 rails

## INSTALLATION OF THE ADDITIONAL RAILS

The diagram suggests the combination between additional Bike-Block and Rail to safely transport up to 4 bikes



Description	Item No.	EAN code	Third Bike		Fourth Bike	
			Bike-Block	Rail	Bike-Block	Rail
Pro C L80	02093B59A	8004815397685	04133A01A	98656-993	04133C01A	98656-993

Description	Weight	Max load	Bikes carried standard	Bikes carried max
Pro C L80	7,9 kg	60 kg	2	4

### + ACCESSORIES

- Bike-Block Pro / D
- Bike-Block Pro S / S D
- Rail Quick Pro
- Rail Premium
- Rail Premium S
- Cable-Lock
- Ultra-Box 360-500
- Cargo Back + Kit Frame Cargo Back
- Bike Cover S
- Bike Cover Premium S
- Easy Dry
- Bike Frame Adapter
- Alu / Platic Signal



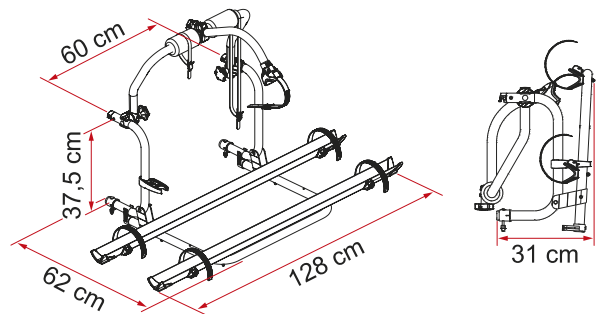
Installation





# Trigano - CI - Roller Team

The bike carrier is provided with a fixed structure and height of 39.5cm (fixing points are 37.5cm top to bottom and 60cm wide). It comes without the upper and lower fixing kit, as these are already installed on the CI and Roller Team motorhomes.

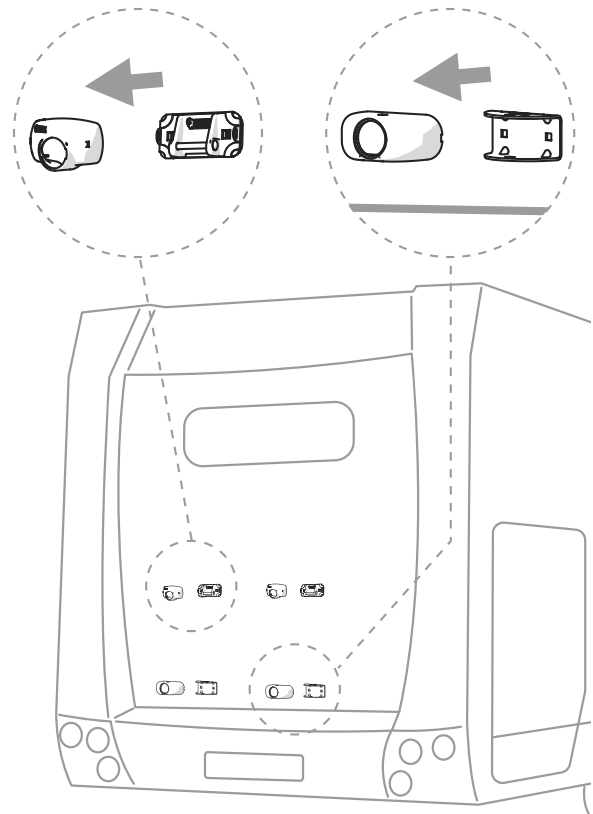


## GENERAL INFORMATION

- Fixed structure
- Can carry up to 3 bikes
- Delivered as standard with 2 Rail Quick Pro, 1 Strip Red and 1 Bike-Block Pro 3

## TECHNICAL FEATURES

- Weigh: 5,2kg
- Maximum loading weight: 50kg
- Distance between rails: 15cm



## + ACCESSORIES

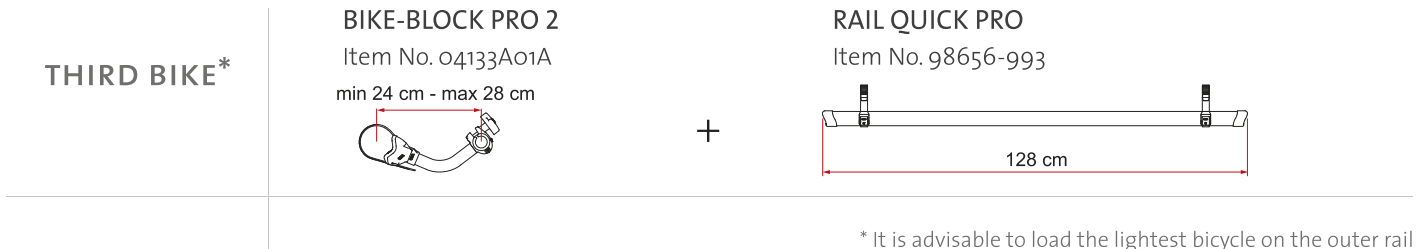
- |                      |                                     |                      |
|----------------------|-------------------------------------|----------------------|
| • Bike-Block Pro     | • Rail Premium                      | • Bike Cover S       |
| • Bike-Block Pro D   | • Rail Premium S                    | • Easy Dry           |
| • Bike-Block Pro S   | • Cargo Back + Kit Frame Cargo Back | • Bike Frame Adapter |
| • Bike-Block Pro S D | • Ultra-Box 320 - 360 - 500         | • Alu Signal         |
| • Rail Quick Pro     | • Cable-Lock                        | • Plastic Signal     |





## INSTALLATION OF THE ADDITIONAL RAILS

The diagram suggests the combination between additional Bike-Block and Rail to safely transport up to 3 bikes



Description	Item No.	EAN code	Third Bike	
			Bike-Block	Rail
Trigano - CI - Roller Team	02093A57A	8004815397593	04133A01A	98656-993

The Strip Red can be replaced with the Bike-Block Pro 1 (for the first bicycle).

Description	Item No.	EAN code
Bike-Block Pro 1	04133-01A	8004815130879

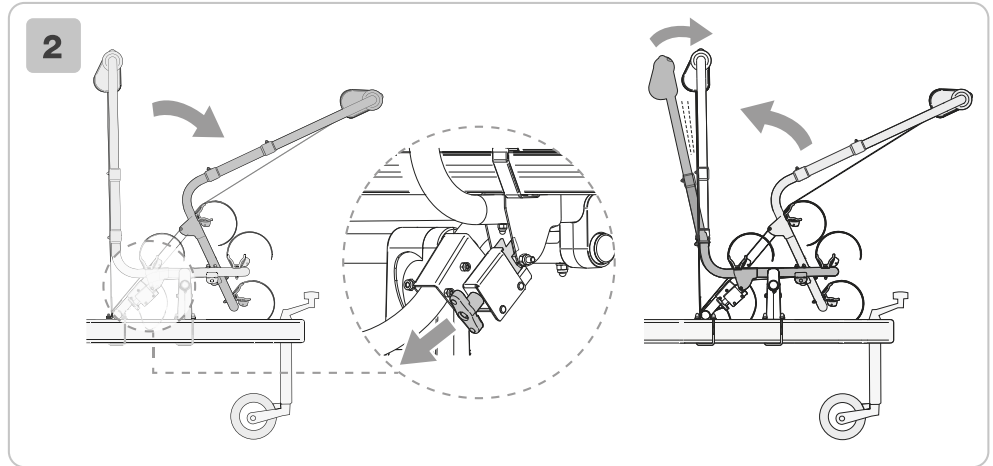
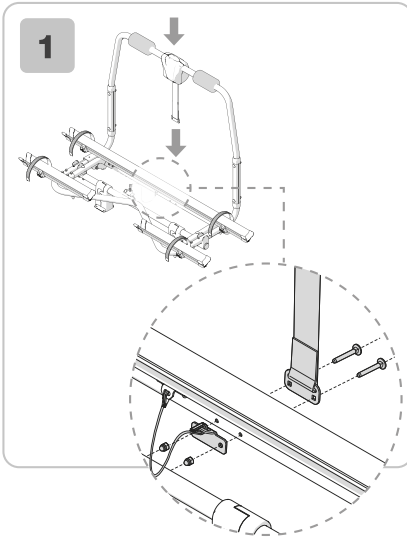
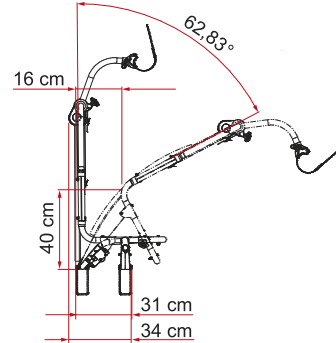
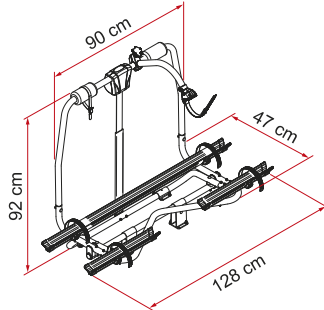
Description	Weight	Max load	Bikes carried standard	Bikes carried max
Trigano - CI - Roller Team	5,2 kg	50 kg	2	3





# Caravan Active

The latest generation bike carrier for A frame. Thanks to the system with tensioning strap, access to the storage compartment is easy and quick.

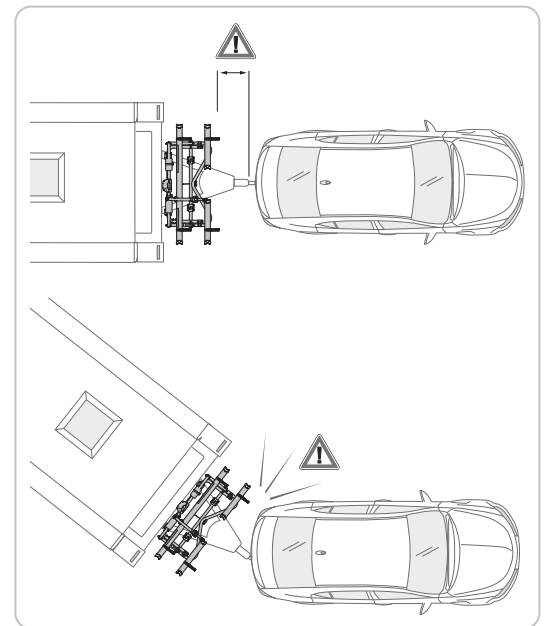


## GENERAL INFORMATION

- Fixed structure
- Can carry up to 3 bikes
- Delivered as standard with 2 Rail Quick, 1 Strip Red and 1 Bike-Block Pro S 3

## TECHNICAL FEATURES

- Weight: 7,5kg
- Maximum loading weight: 50kg
- Distance between rails: 15cm
- The installation does not require holes on standard A-frame if not equipped with cover; if the A-Frame has the cover you have to drill



## + ACCESSORIES

- Bike-Block Pro S
- Rail Premium
- Cable-Lock
- Bike-Block Pro S D
- Kit Rail Premium 48
- Bike Cover Caravan
- Rail Quick
- Bike Frame Adapter

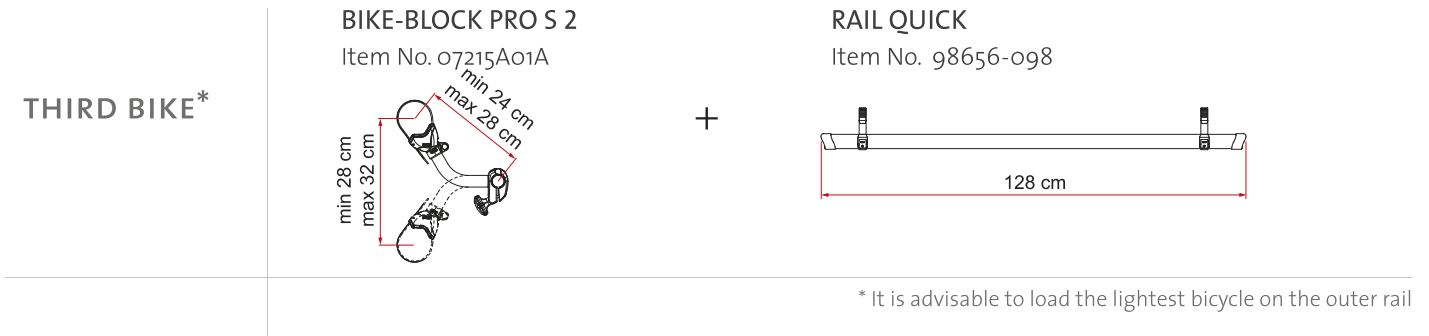


Available the E-Bike version, see page 154



## INSTALLATION OF THE ADDITIONAL RAILS

The diagram suggests the combination between additional Bike-Block and Rail to safely transport up to 3 bikes



Description	Item No.	EAN code	Third Bike	
			Bike-Block	Rail
Caravan Active	02094-05A	8004815335335	07215A01A	98656-098

The Strip Red can be replaced with the Bike-Block Pro S 1 (for the first bicycle).

Description	Item No.	EAN code
Bike-Block Pro S 1	07215-01A	8004815335465

Description	Weight	Max load	Bikes carried standard	Bikes carried max
Caravan Active	7,5 kg	50 kg	2	3





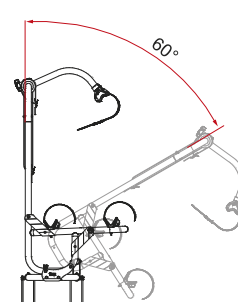
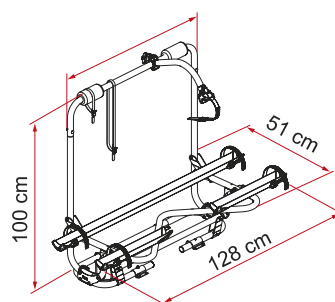
# Caravan XL A Pro / Pro 200

Caravan XL A Pro provided with reinforced bar, Caravan XL A Pro 200 equipped with the external rail in two pieces to grant maximum possibility of installation and use.

## CARAVAN XL A PRO



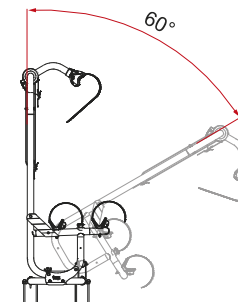
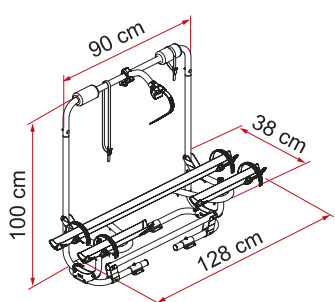
Deep Black



## CARAVAN XL A PRO 200



Deep Black



## GENERAL INFORMATION

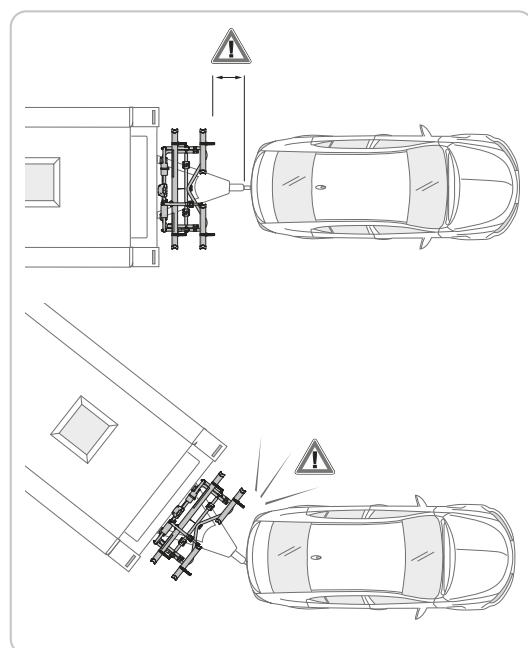
- Fixed structure
- Can carry up to 3 bikes
- Delivered as standard with 2 Rail Quick Pro, 1 Strip and 1 Bike-Block Pro 3 for XL A Pro version and 1 Bike-Block Pro 2 for XL A Pro 200 version

## TECHNICAL FEATURES

- Weight: 9 kg - 7,5Kg
- Maximum loading weight: 50kg
- Distance between rails: 15cm
- The installation does not require holes on standard A-frame if not equipped with cover; if the A-Frame has the cover you have to drill

## + ACCESSORIES

- Bike-Block Pro
- Bike-Block Pro D
- Bike-Block Pro S
- Bike-Block Pro S D
- Rail Quick Pro
- Rail Premium
- Kit Rail Premium 48
- Bike Frame Adapter
- Cable-Lock
- Security strip
- Bike Cover Caravan



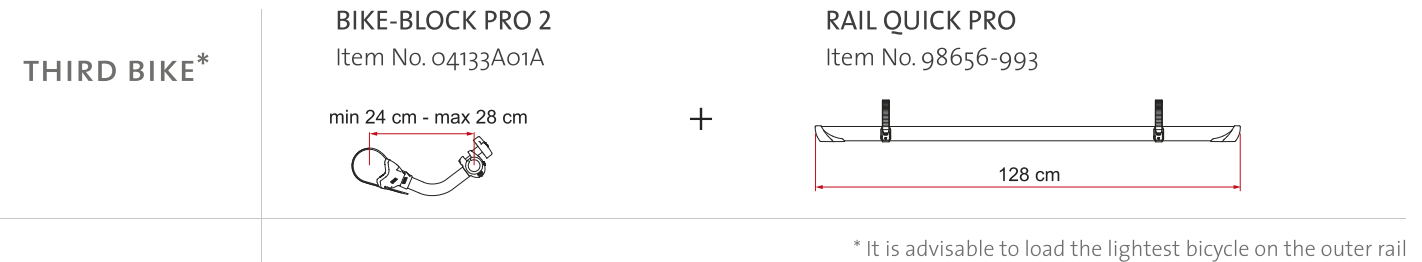
E-Bike

Available the E-Bike version,  
see page 154



## INSTALLATION OF THE ADDITIONAL RAILS

The diagram suggests the combination between additional Bike-Block and Rail to safely transport up to 3 bikes



Description	Colour*	Item No.	EAN code	Third Bike	
				Bike-Block	Rail
Caravan XL A Pro	black	02093B91A	8004815397753	04133A01A	98656-993
Caravan XL A Pro	blue	02093B91B	8004815397760	04133A01B	98656M040
Caravan XL A Pro - Deep Black	black	02093C91A	8004815412098	04133A01N	98656M358
Caravan XL A Pro 200	black	02093F32A	8004815397791	-	-
Caravan XL A Pro 200	blue	02093F32B	8004815397807	-	-
Caravan XL A Pro 200 - Deep Black	black	02093G32A	8004815412081	-	-

\* plastic details

The Strip Red can be replaced with the Bike-Block Pro 1 (for the first bicycle).

Description	Colour*	Item No.	EAN code
Bike-Block Pro 1	black	04133-01A	8004815130879
Bike-Block Pro 1	blue	04133-01B	8004815130886

Description	Weight	Max load	Bikes carried standard	Bikes carried max
Caravan XL A Pro	9 kg	50 kg	2	3
Caravan XL A Pro - Deep Black				
Caravan XL A Pro 200	7,5 kg	50 kg	2	2
Caravan XL A Pro 200 - Deep Black				



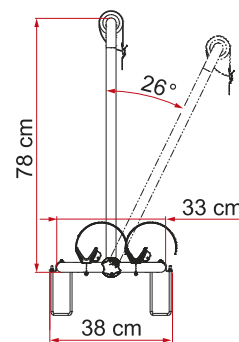
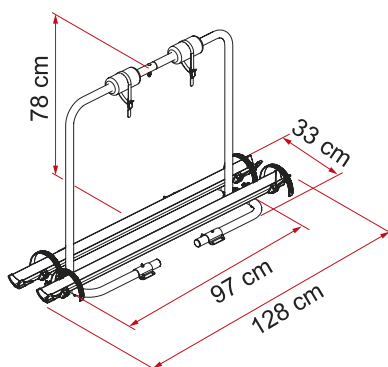
Installation





# Caravan XL A

Compact and inexpensive, fits almost all Caravan frames (including Hobby and Al-Ko).

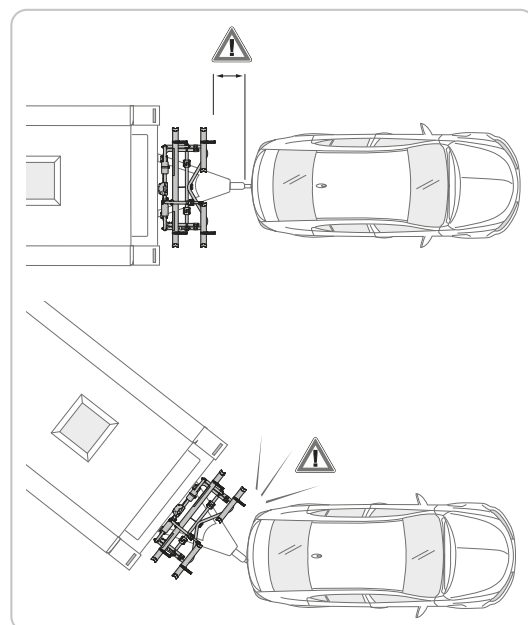


## GENERAL INFORMATION

- Fixed structure
- Delivered as standard with 2 Rail Quick Pro and 2 Strip

## TECHNICAL FEATURES

- Weight: 5,3kg
- Maximum loading weight: 35kg
- Distance between rails: 15cm
- The installation does not require holes on standard A-frame if not equipped with cover; if the A-Frame has the cover you have to drill



Description	Colour*	Item No.	EAN code	Weight	Max load	Bikes carried standard	Bikes carried max
Caravan XL A	black	02094-23A	8004815397487	5,3 kg	35 kg	2	2
Caravan XL A	blue	02094-23B	8004815397494				

\* plastic details

The Strip Red can be replaced with the Bike-Block Pro 1.

Description	Colour*	Item No.	EAN code
Bike-Block Pro 1	black	04133-01A	8004815130879
Bike-Block Pro 1	blue	04133-01B	8004815130886

## + ACCESSORIES

- Bike-Block Pro
- Kit Rail Premium 48
- Rail Premium
- Bike Frame Adapter
- Cable-Lock
- Bike Cover Caravan



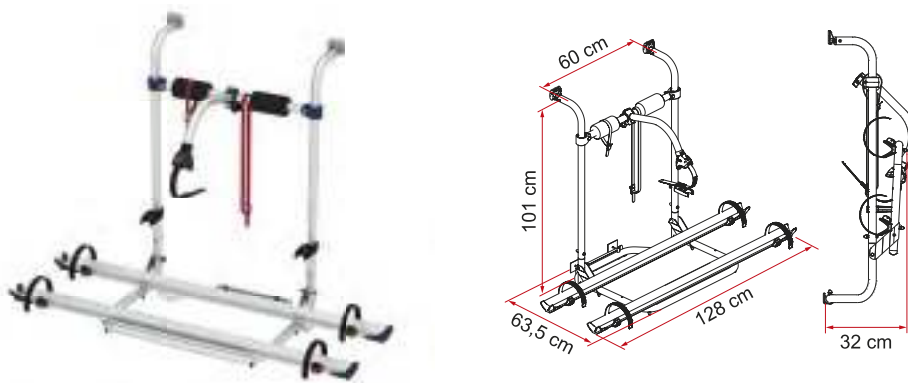
Installation





# Caravan Hobby

Suitable for mounting to the rear wall of Hobby Caravans, produced after 2003.



## GENERAL INFORMATION

- Fixed structure
- Delivered as standard with 2 Rail Quick Pro, 1 Strip Red and 1 Bike-Block Pro 3

## TECHNICAL FEATURES

- Weight: 5,6kg
- Maximum loading weight: 50kg
- Distance between rails: 15cm

## INSTALLATION OF THE ADDITIONAL RAILS

The diagram suggests the combination between additional Bike-Block and Rail to safely transport up to 3 bikes

### THIRD BIKE\*

#### BIKE-BLOCK PRO 2

Item No. 04133A01B

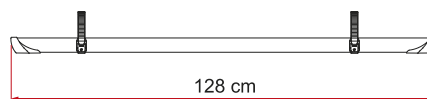
min 24 cm - max 28 cm



+

#### RAIL QUICK PRO

Item No. 98656M040



\* It is advisable to load the lightest bicycle on the outer rail

Description	Colour*	Item No.	EAN code	Third Bike	
				Bike-Block	Rail
Caravan Hobby	blue	02093A77A	8004815397708	04133A01B	98656M040

The Strip Red can be replaced with the Bike-Block Pro 1 (for the first bicycle).

\* plastic details

Description	Colour*	Item No.	EAN code
Bike-Block Pro 1	blue	04133-01B	8004815130886

Description	Weight	Max load	Bikes carried standard	Bikes carried max
Caravan Hobby	5,6 kg	50 kg	2	3

### + ACCESSORIES

- Bike-Block Pro
- Bike-Block Pro S
- Bike-Block Pro D
- Bike-Block Pro S D
- Rail Quick Pro
- Rail Premium
- Rail Premium S
- Cable-Lock
- Bike Cover Caravan
- Bike Frame Adapter
- Alu Signal
- Plastic Signal



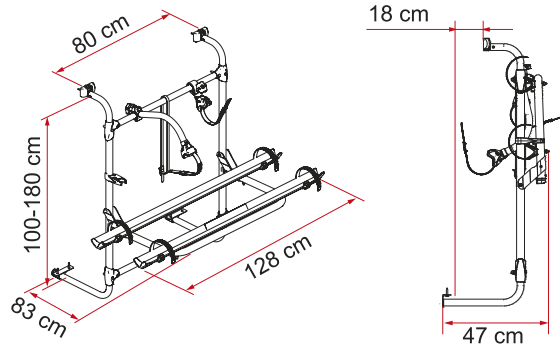
Installation





# Caravan Universal

Suitable for fixing to the caravan rear frame.



## GENERAL INFORMATION

- Wall fixing points range from 100 to 180cm.
- Delivered as standard with 2 Rail Quick Pro, 1 Bike-Block Pro 1 and 1 Bike Block Pro 3

## TECHNICAL FEATURES

- Weight: 7,5kg
- Maximum loading weight: 35kg
- Distance between rails: 15cm
- Installation without holes on standard a frame

Description	Item No.	EAN code	Weight	Max load	Bikes carried standard	Bikes carried max
Caravan Universal	02093A76A	8004815397692	7,5 kg	35 kg	2	2

### + ACCESSORIES

- Bike-Block Pro S
- Bike Black Pro D
- Bike Black Pro S D
- Rail Premium
- Rail Premium S
- Alu Signal
- Plastic Signal
- Bike Cover S
- Bike Frame Adapter



Installation

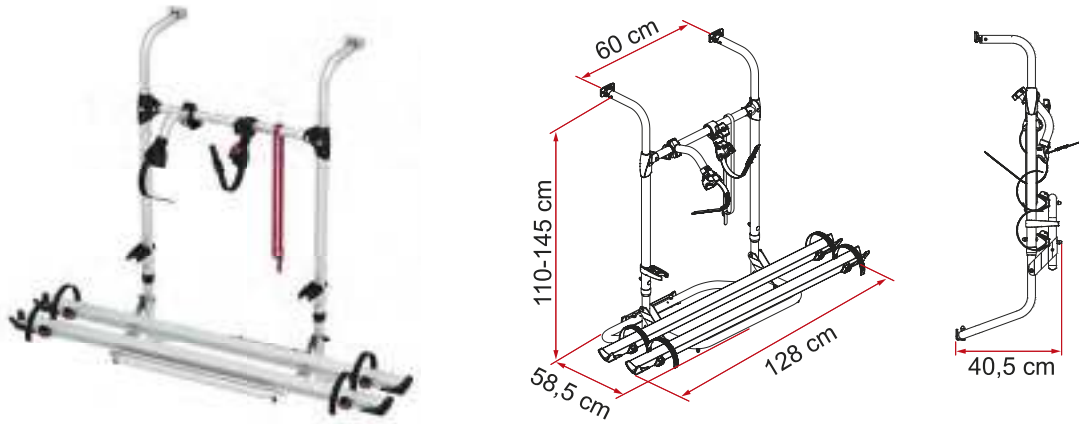






# Simple Plus 200

Suitable for mounting on caravans with thin and curved rear walls.



## GENERAL INFORMATION

- Wall fixing points range from 110 to 145cm.
- Delivered as standard with 2 Rail Quick Pro, 1 Bike-Block Pro 1 and 1 Bike Block Pro 2

## TECHNICAL FEATURES

- Weight: 6,4kg
- Maximum loading weight: 35kg
- Distance between rails: 15cm
- Installation without holes on standard a frame

Description	Item No.	EAN code	Weight	Max load	Portata bici standard	Bikes carried max
Simple Plus 200	02093A36A	8004815397562	6,4 kg	35 kg	2	2

## + ACCESSORIES

- Bike-Block Pro S
- Bike Black Pro S D
- Rail Premium
- Alu Signal
- Plastic Signal
- Bike Cover S
- Cable Lock
- Bike Frame Adapter



Installation





# VW T5 Pro / T6 Pro

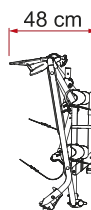
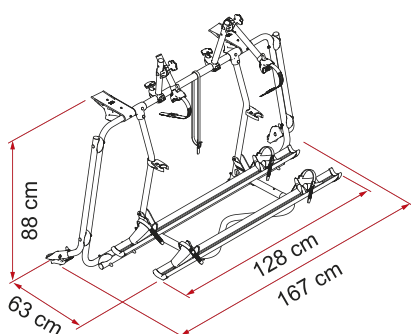
Aesthetically modern, fast and simple to install, solid anchoring to the reinforced points of the rear of the vehicle



VW T5 PRO / VW T6 PRO



VW T6 PRO Deep Black



## GENERAL INFORMATION

- Carries up to 4 bicycles
- Delivered as standard with 2 Rail Premium, 1 Bike-Block Pro S D1 and 1 Bike-Block Pro S D2
- Easy installation with brackets, that are delivered as standard, without drilling the vehicle
- Painted aluminium for Deep Black version

## TECHNICAL FEATURES

- Weight: 14kg
- Maximum loading weight: 60kg
- Distance between rails: 15cm
- Possibility to extend the rail support base up to 76cm in case of configuration with 4 rails
- T6 Pro also suitable for VW T6 with electric tailgate and T6.1

## NEW RAIL SUPPORT BASE



## FOURTH TWO-PART RAIL



## NOW IT'S POSSIBLE TO CONVERT THE CARRY-BIKE T5 PRO INTO A CARRY-BIKE T6 PRO

Have you changed vehicle and you want to reuse your bike-carrier VW T5 Pro (Item No. 02093C71-) on the new VW T6/T6.1? Fiamma has thought of you with a cost-effective solution which allows this operation easily.

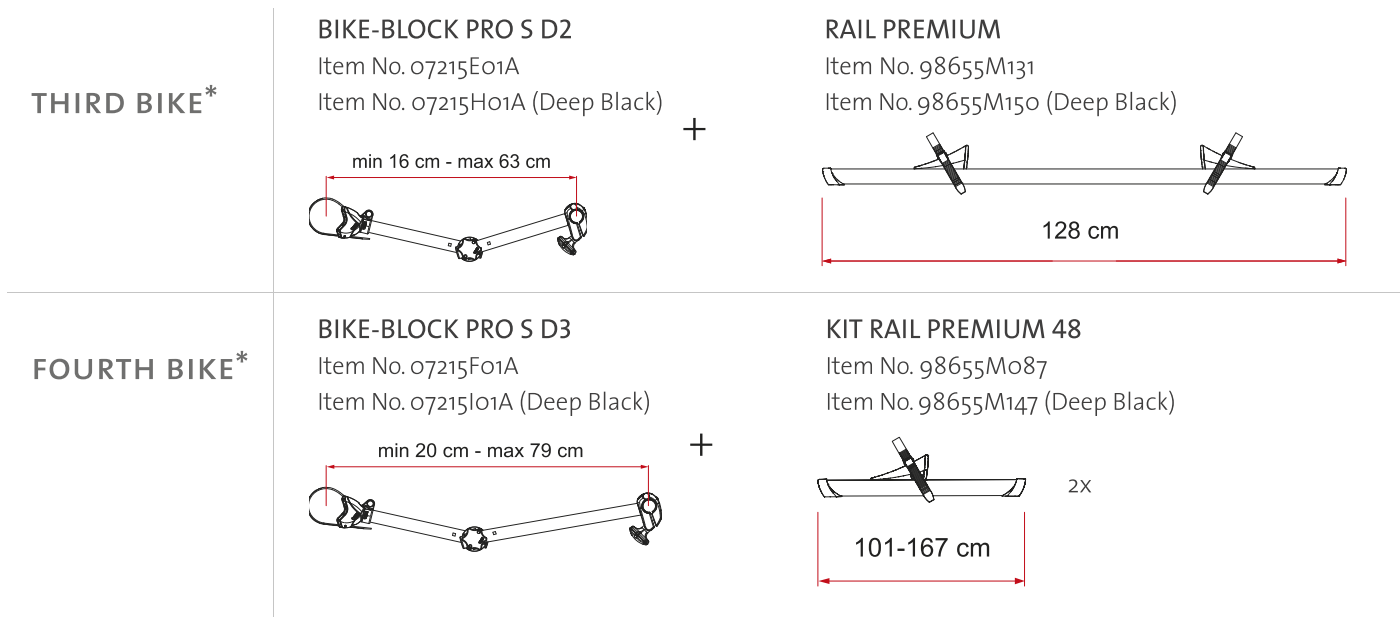
Description	Weight	Item No.	EAN Code
Kit Upgrade T6 Pro	0,7 kg	98656M021	8004815359805





## INSTALLATION OF THE ADDITIONAL RAILS

The diagram suggests the combination between additional Bike-Block and Rail to safely transport up to 4 bikes



\* It is advisable to load the lightest bicycle on the outer rail

### KIT RAIL PREMIUM 48

Optional fourth two-part rail.  
Also available in the Deep Black version.

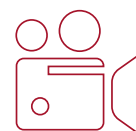


Description	Item No.
Kit Rail Premium 48	98656M087
Kit Rail Premium 48 (Deep Black)	98656M147



Description	Item No.	EAN code	Third bike		Fourth bike	
			Bike-Block	Rail	Bike-Block	Rail
VW T5 Pro	02093E71A	8004815381035	07215E01A	98655M131	07215F01A	98656M087
VW T6 Pro	02094B08A	8004815381011	07215E01A	98655M131	07215F01A	98656M087
VW T6 Pro (Deep Black)	02094A08A	8004815377298	07215H01A	98655M150	07215I01A	98656M147

Description	Weight	Max load	Bikes carried standard	Bikes carried max
VW T5 Pro	14 kg	60 kg	2	4
VW T6 Pro				
VW T6 Pro (Deep Black)				



#### + ACCESSORIES

- Bike-Block Pro S D
- Rail Premium / XL
- Rail Premium S
- Rail Premium S Fat Bike
- Rail Premium 48
- Kit Premium S
- Cable-Lock
- Licence Plate Carrier
- Bike Frame Adapter
- Plastic Signal
- Alu Signal



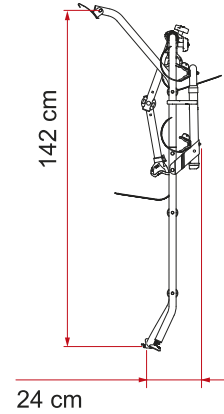
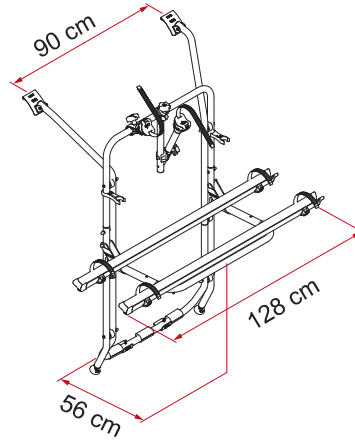
Installation





# VW T5 / T6

Bike carrier specially designed for Volkswagen T5/T6/T6.1 with single rear door.




## GENERAL INFORMATION

- Carries up to 4 bicycles
- Delivered as standard with 2 Rail Quick Pro, 1 Bike-Block Pro 1 and Bike-Block Pro D 2
- Easy installation with brackets, that are delivered as standard, without drilling the vehicle

## TECHNICAL FEATURES

- Weight: 8,3kg
- Maximum loading weight: 60kg
- Distance between rails: 15cm
- Possibility to extend the rail support base up to 76cm in case of configuration with 4 rails
- Also suitable for VW California and VW Multivan

 Not suitable for vehicles with chrome-plated lower tailgate rail.  
Not suitable for Comfortline series.



## NOW IT'S POSSIBLE TO CONVERT THE CARRY-BIKE T5 INTO A CARRY-BIKE T6

Have you changed vehicle and you want to reuse your bike-carrier VW T5 (Item No.02094-17A) on the new VW T6/T6.1? Fiamma has thought of you with a cost-effective solution which allows this operation easily.

Kit Upgrade T6 / T6.1

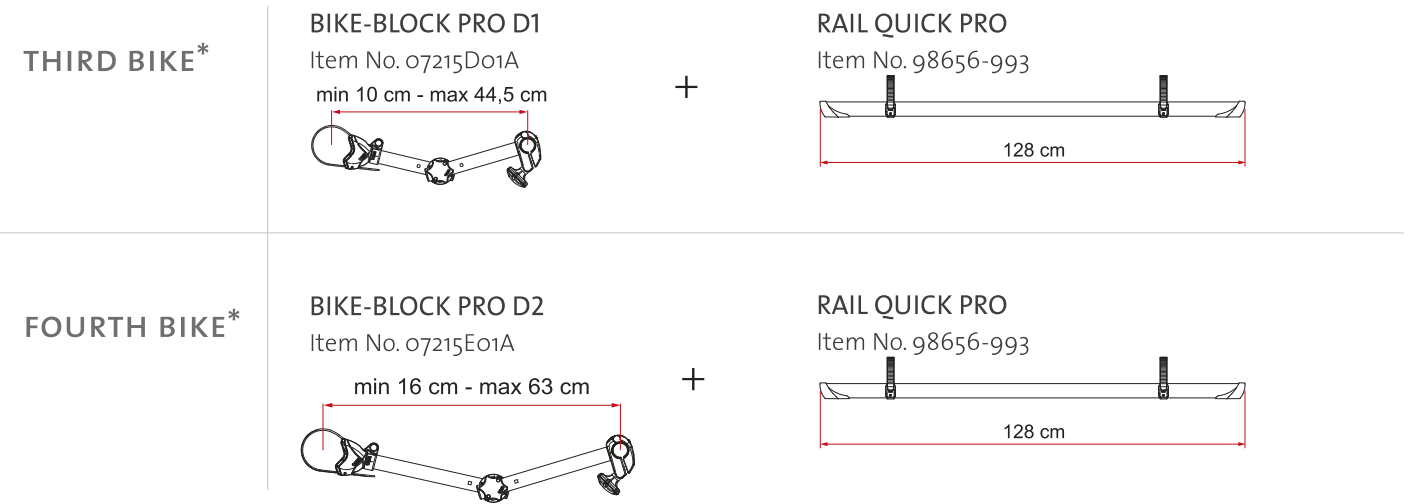


Description	Weight	Item No.	EAN Code
Kit Upgrade T6 / T6.1	0,7 kg	98656-988	800481534959



## INSTALLATION OF THE ADDITIONAL RAILS

The diagram suggests the combination between additional Bike-Block and Rail to safely transport up to 4 bikes



\* It is advisable to load the lightest bicycle on the outer rail

Description	Item No.	EAN code	Third bike		Fourth bike	
			Bike-Block	Rail	Bike-Block	Rail
VW T5	02094-17A	8004815378172	07215D01A	98656-993	07215E01A	98656-993
VW T6	02094-20A	8004815379360	07215D01A	98656-993	07215E01A	98656-993

\* plastic details

Description	Weight	Max load	Bikes carried standard	Bikes carried max
VW T5	8,3 kg	60 kg	2	4
VW T6				

### + ACCESSORIES

- Bike-Block Pro D
- Bike-Block Pro S
- Bike-Block Pro S D
- Rail Quick Pro
- Rail Premium
- Rail Premium S
- Cable-Lock
- Licence Plate Carrier
- Bike Frame Adapter
- Plastic Signal
- Alu Signal



Installation





# VW T5 D / T6 D

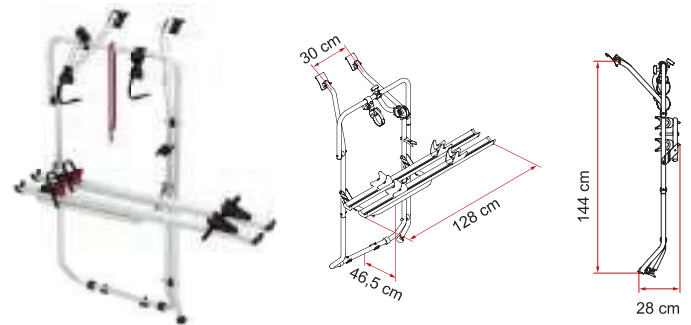
Bike carrier specially designed for Volkswagen T5/T6/T6.1 with double rear doors.

## GENERAL INFORMATION

- Delivered as standard with 2 Rail Premium, 1 Bike-Block Pro S 1 and 1 Bike-Block Pro S 2

## TECHNICAL FEATURES

- Weight: 7,7kg
- Maximum loading weight: 35kg
- Distance between rails: 15cm
- Easy installation (on the left rear door) with brackets, that are delivered as standard, without drilling the vehicle



Description	Item No.	EAN code	Weight	Max load	Bikes carried standard	Bikes carried max
VW T5 D / T6 D	02093B79A	8004815383107	7,7 kg	35 kg	2	2

### + ACCESSORIES

- Rail Premium S
- Bike-Block Pro S D
- Cable-Lock
- Licence Plate Carrier
- Alu Signal
- Plastic Signal



Installation



# VW T4 D

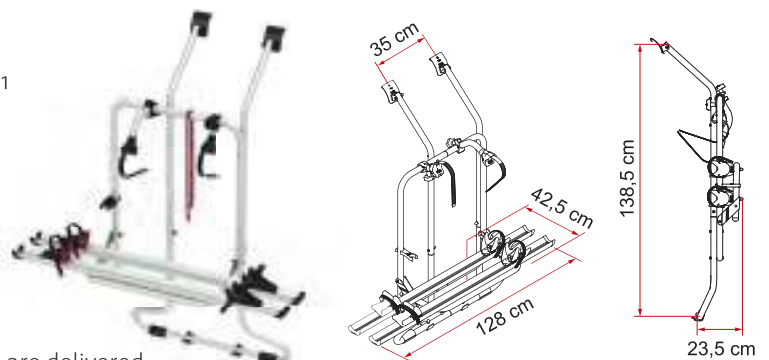
Bike carrier specially designed for Volkswagen T4 with double rear doors.

## GENERAL INFORMATION

- Delivered as standard with 2 Rail Premium, 1 Bike-Block Pro 1 and 1 Bike-Block Pro 2

## TECHNICAL FEATURES

- Weight: 7,7kg
- Maximum loading weight: 35kg
- Distance between rails: 15cm
- Easy installation (on the right rear door) with brackets, that are delivered as standard, without drilling the vehicle



Description	Item No.	EAN code	Weight	Max load	Bikes carried standard	Bikes carried max
VW T4 D	02094-22A	8004815383305	7,7 kg	35 kg	2	2

### + ACCESSORIES

- Bike-Block Pro S
- Bike-Block Pro D
- Bike-Block Pro S D
- Cable-Lock
- Licence Plate Carrier
- Alu Signal
- Plastic Signal



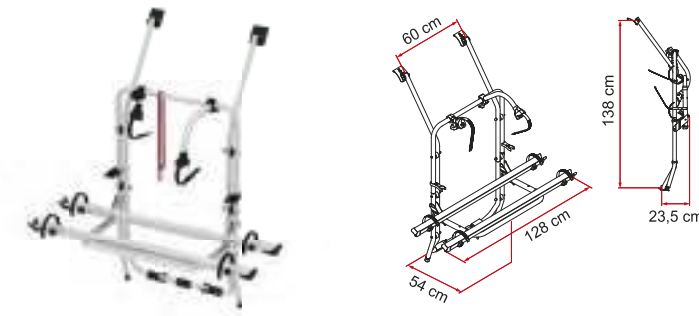
Installation





# VW T4

Bike carrier specially designed for Volkswagen T4 with single rear door.



## GENERAL INFORMATION

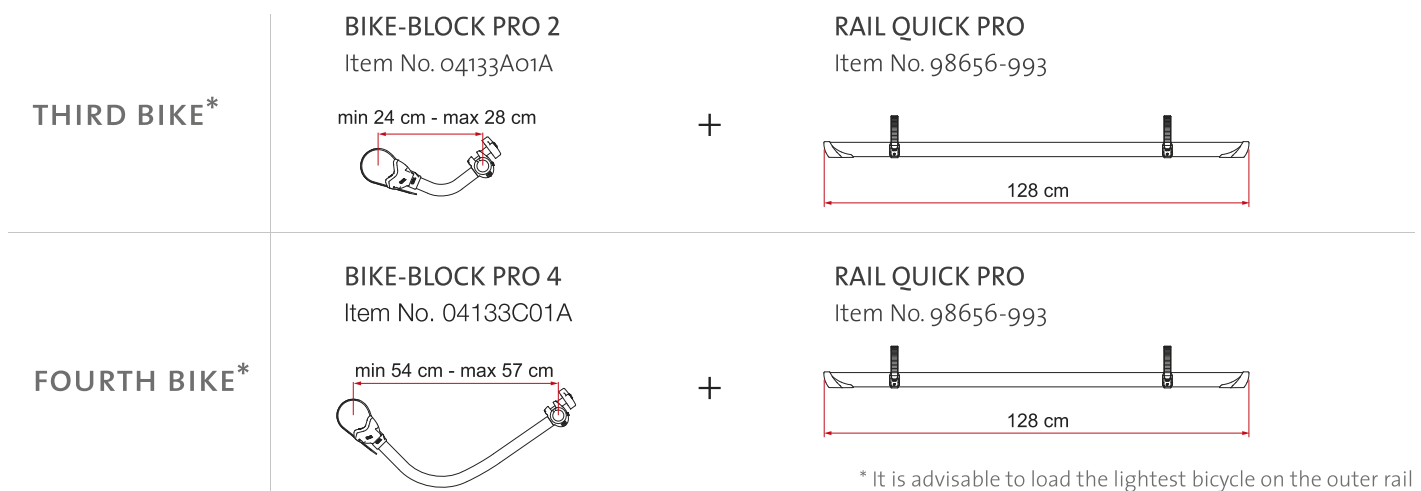
- Carries up to 4 bicycles
- Delivered as standard with 2 Rail Quick Pro, 1 Bike-Block Pro 1 and 1 Bike-Block Pro 3

## TECHNICAL FEATURES

- Weight: 8,3kg
- Maximum loading weight: 60kg
- Distance between rails: 15cm
- Possibility to extend the rail support base up to 76cm in case of configuration with 4 rails
- Also suitable for VW California, VW Coach,
- VW Caravelle, VW Multivan

## INSTALLATION OF THE ADDITIONAL RAILS

The diagram suggests the combination between additional Bike-Block and Rail to safely transport up to 4 bikes



Description	Item No.	EAN code	Third bike		Fourth bike	
			Bike-Block	Rail	Bike-Block	Rail
VW T4	02094-18A	8004815378585	04133A01A	98656-993	04133C01A	98656-993

Description	Weight	Max load	Bikes carried standard	Bikes carried max
VW T4	8,3 kg	60 kg	2	4



### + ACCESSORIES

- Bike-Block Pro / S / S D
- Rail Quick Pro
- Rail Premium / S
- Bike Frame Adapter
- Cable-Lock
- Licence Plate Carrier
- Plastic / Alu Signal



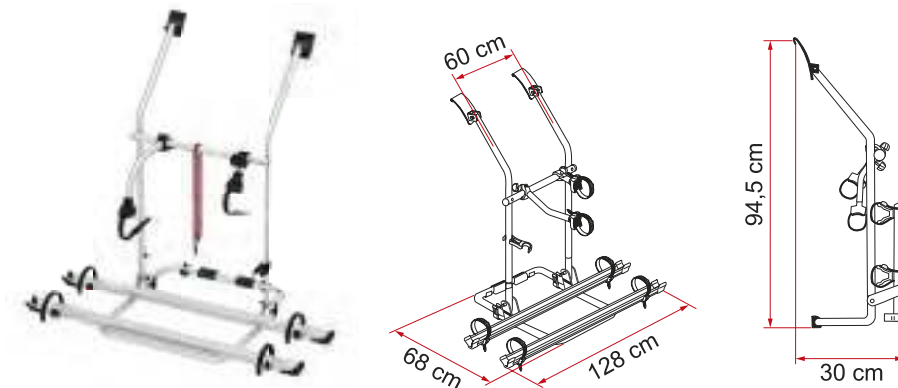
Installation





# VW T3 (T25)

Bike carrier specially designed for Volkswagen T3.



## GENERAL INFORMATION

- Carries up to 3 bicycles
- Delivered as standard with 2 Rail Quick Pro, 1 Bike-Block Pro 1 and 1 Bike-Block Pro 3

## TECHNICAL FEATURES

- Weight: 6,5kg
- Maximum loading weight: 50kg
- Distance between rails: 15cm



## INSTALLATION OF THE ADDITIONAL RAILS

The diagram suggests the combination between additional Bike-Block and Rail to safely transport up to 4 bikes



Description	Item No.	EAN code	Third bike	
			Bike-Block	Rail
VW T3 (T25)	02094-19A	8004815378622	04133A01A	98656-993

Description	Weight	Max load	Bikes carried standard	Bikes carried max
VW T3 (T25)	6,5 kg	50 kg	2	3

### + ACCESSORIES

- Bike-Block Pro
- Bike-Block Pro S
- Bike-Block Pro S D
- Rail Premium
- Rail Premium S
- Bike Frame Adapter
- Cable-Lock
- Licence Plate Carrier
- Alu Signal
- Plastic Signal



Installation

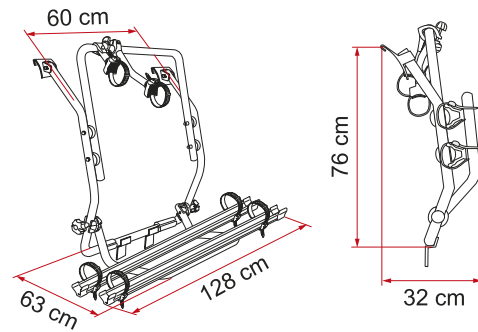






# VW T2

Bike carrier specially designed for Volkswagen T2.



## GENERAL INFORMATION

- Delivered as standard with 2 Rail Quick Pro, 1 Bike-Block Pro 1 and 1 Bike-Block Pro 2

## TECHNICAL FEATURES

- Weight: 7,0kg
- Maximum loading weight: 35kg
- Distance between rails: 15cm



Description	Item No.	EAN code	Weight	Max load	Bikes carried standard	Bikes carried max
VW T2	02093B63A	8004815378677	7,0 kg	35 kg	2	2

### + ACCESSORIES

- Bike-Block Pro S
- Bike-Block Pro S D
- Rail Premium
- Bike Frame Adapter
- Cable-Lock
- Alu Signal
- Plastic Signal



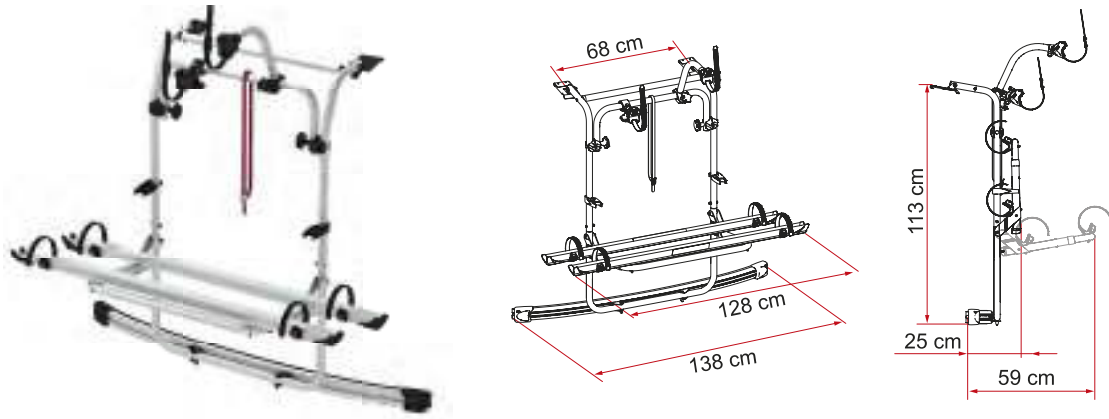
Installation





# VW Caddy

Bike carrier specially designed for Volkswagen Caddy.

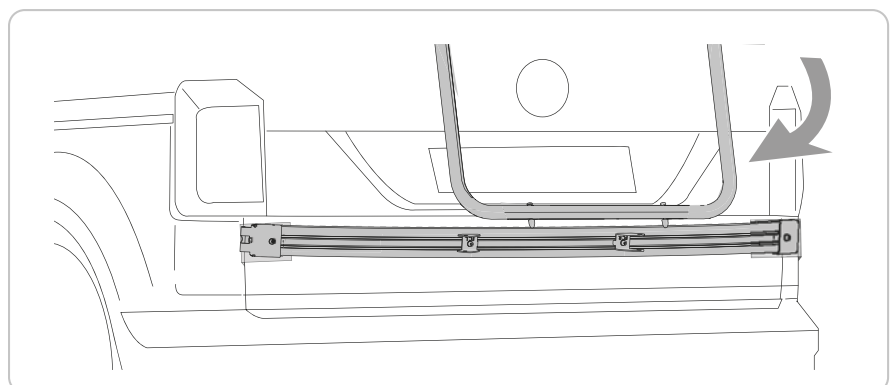
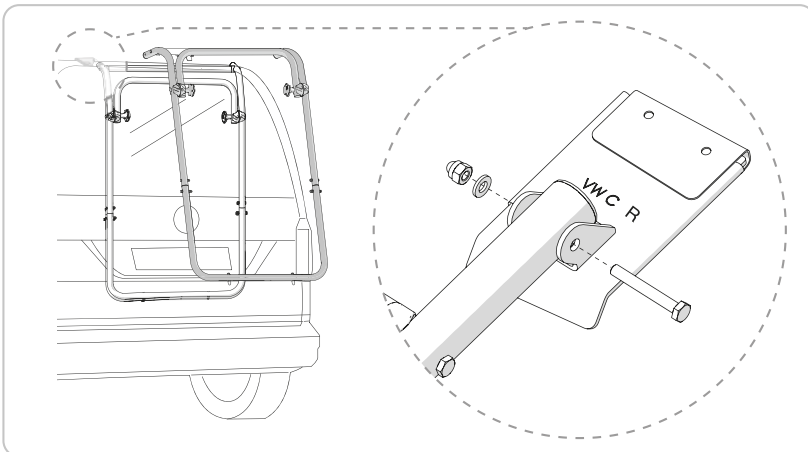


## GENERAL INFORMATION

- Carries up to 4 bicycles
- Delivered as standard with 2 Rail Quick Pro, 1 Bike-Block Pro S 1 and 1 Bike-Block Pro S 3
- Profiled brackets for attaching to the rear door reinforcement points included
- Adjustable Bike-Block hooking tube

## TECHNICAL FEATURES

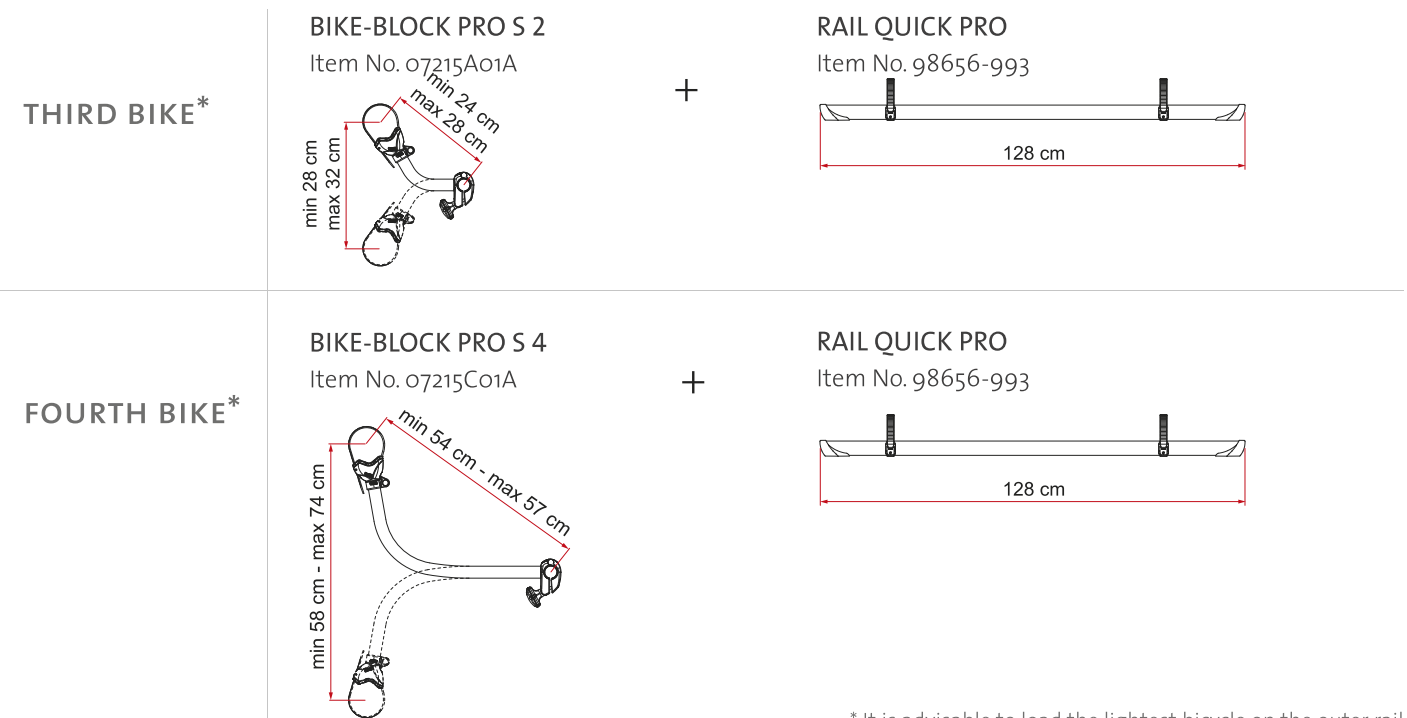
- Weight: 10,8kg
- Maximum loading weight: 60kg
- Distance between rails: 15cm





## INSTALLATION OF THE ADDITIONAL RAILS

The diagram suggests the combination between additional Bike-Block and Rail to safely transport up to 4 bikes



Description	Item No.	EAN code	Third bike		Fourth bike	
			Bike-Block	Rail	Bike-Block	Rail
VW Caddy	02094-24A	8004815402181	07215A01A	98656-993	07215C01A	98656-993

Description	Weight	Max load	Bikes carried standard	Bikes carried max
VW Caddy	10,8 kg	60 kg	2	4

**+ ACCESSORIES**

- Bike-Block Pro S
- Bike-Block Pro S D
- Rail Quick Pro
- Rail Premium
- Rail Premium S
- Cable-Lock
- Licence Plate Carrier
- Bike Frame Adapter
- Alu Signal
- Plastic Signal
- Dust Guard



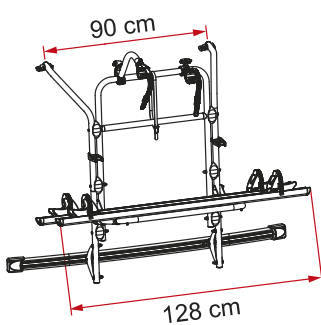
Installation



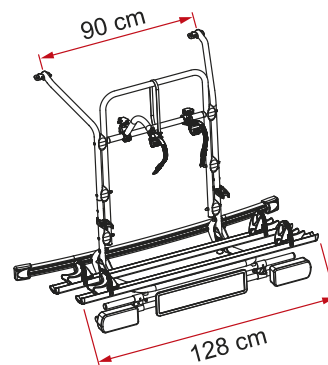
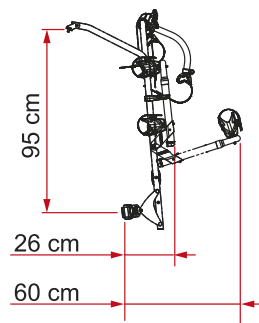


# Mercedes V Class Premium

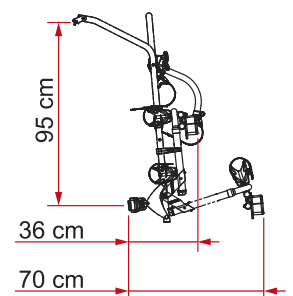
For easily transporting up to 4 bicycles on the Mercedes V Class with a single tailgate. Since 2014.



Standard rail support base



Lower rail support base



## GENERAL INFORMATION

- Carries up to 4 bicycles
- Delivered as standard with 2 Rail Premium, 1 Bike-Block Pro S 1 and 1 Bike-Block Pro S 3
- This version allows the installation of the rail support base in two different positions, one standard and one lower to make it easier to load the bikes.
- Lower version must be used with the License Plate Carrier, which has the license plate holder bar and regulation lights
- Suitable only for vehicles with spoiler fitted as standard by the manufacturer

## TECHNICAL FEATURES

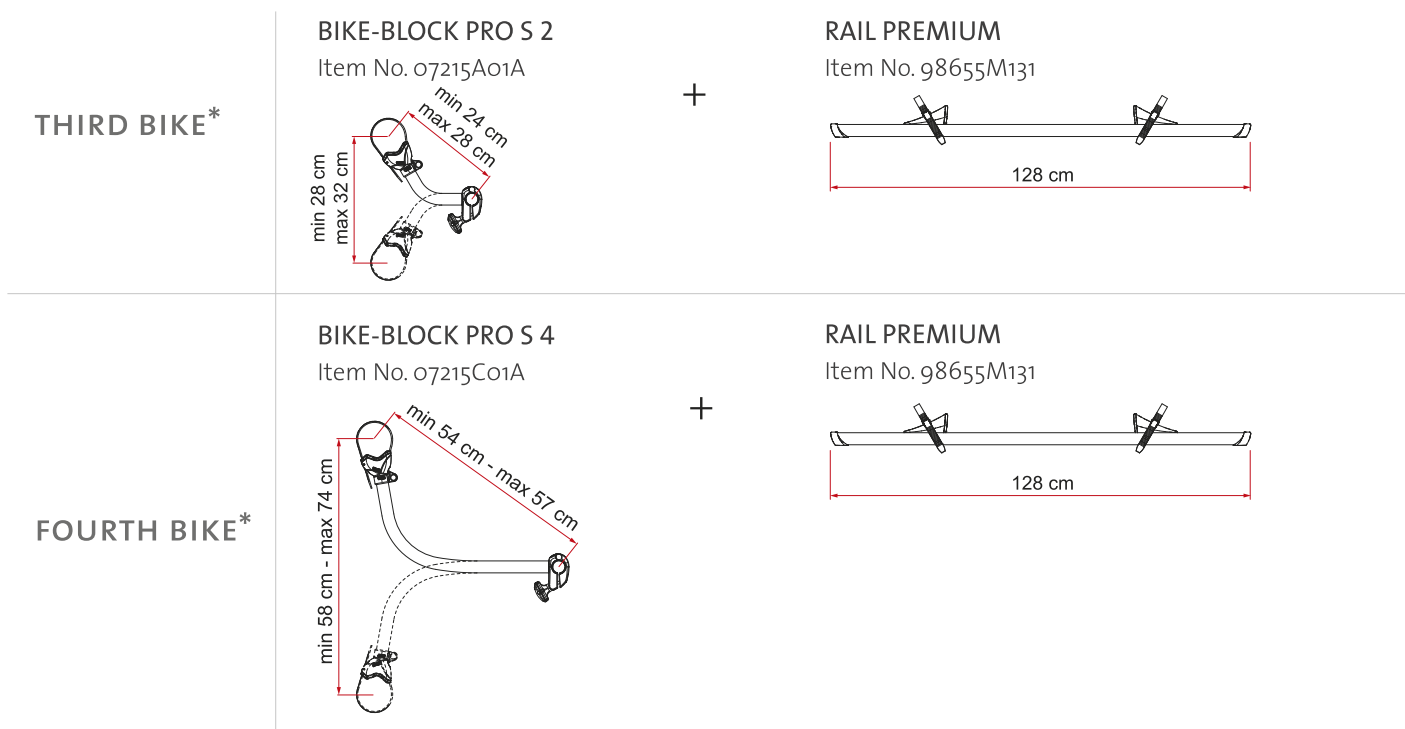
- Weight: 12,5kg
- Maximum loading weight: 60kg
- Distance between rails: 15cm
- Possibility to extend the rail support base up to 76cm in case of configuration with 4 rails





## INSTALLATION OF THE ADDITIONAL RAILS

The diagram suggests the combination between additional Bike-Block and Rail to safely transport up to 4 bikes



\* It is advisable to load the lightest bicycle on the outer rail

Description	Item No.	EAN code	Third bike		Fourth bike	
			Bike-Block	Rail	Bike-Block	Rail
Mercedes V Class Premium	02094B14A	8004815383213	07215A01A	98655M131	07215C01A	98655M131

Description	Weight	Max load	Bikes carried standard	Bikes carried max
Mercedes V Class Premium	12,5 kg	60 kg	2	4

### + ACCESSORIES

- Bike-Block Pro S
- Bike-Block Pro S D
- Rail Premium /XL
- Rail Premium S
- Rail Premium S Fat Bike
- Kit Premium S
- Bike Frame Adapter
- Cable-Lock
- Licence Plate Carrier
- Alu Signal
- Plastic Signal
- Dust Guard



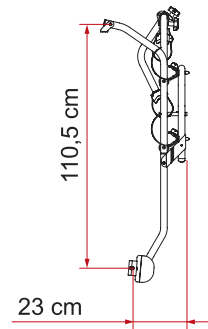
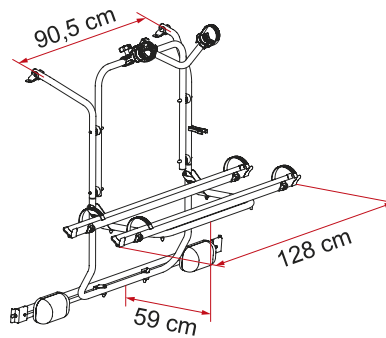
Installation





# Mercedes Viano

For Mercedes Viano and Mercedes Vito (2<sup>^</sup> series) with single rear door, from 2004 up to 2014.



## GENERAL INFORMATION

- Carries up to 3 bicycles
- Delivered as standard with 2 Rail Quick Pro, 1 Bike-Block Pro S 1 and 1 Bike-Block Pro S 2
- Supplied with: 1x Carry-Bike Mercedes Viano, 1x lighting board wired with 13 pin plug

## TECHNICAL FEATURES

- Weight: 10,0kg
- Maximum loading weight: 50kg
- Distance between rails: 15cm

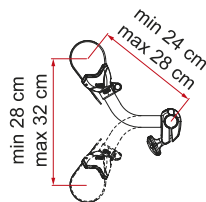


## INSTALLATION OF THE ADDITIONAL RAILS

The diagram suggests the combination between additional Bike-Block and Rail to safely transport up to 3 bikes

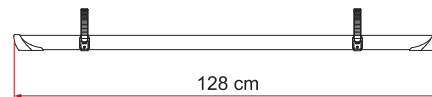
### THIRD BIKE\*

**BIKE-BLOCK PRO S 2**  
Item No. 07215A01A



+

**RAIL QUICK PRO**  
Item No. 98656-993



\* It is advisable to load the lightest bicycle on the outer rail

Description	Item No.	EAN code	Third bike	
			Bike-Block	Rail
Mercedes Viano	02093B75	8004815378714	07215A01A	98656-993

Description	Weight	Max load	Bikes carried standard	Bikes carried max
Mercedes Viano	10,0 kg	50 kg	2	3

### + ACCESSORIES

- Bike-Block Pro S
- Bike-Block Pro S D
- Rail Quick Pro
- Rail Premium
- Rail Premium S
- Bike Frame Adapter
- Cable-Lock
- Licence Plate Carrier
- Alu Signal
- Plastic Signal
- Dust Guard



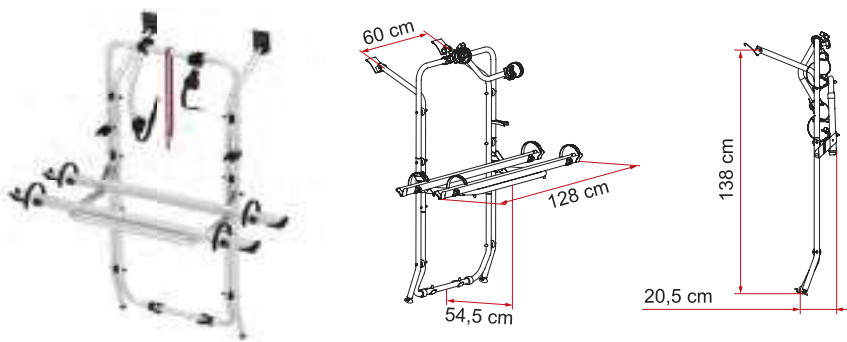
Installation





# Mercedes Vito

For Mercedes Vito (1<sup>^</sup> series) with single rear door. Up to 2004.



## GENERAL INFORMATION

- Carries up to 4 bicycles
- Delivered as standard with 2 Rail Quick Pro, 1 Bike-Block Pro 1 and 1 Bike-Block Pro 3

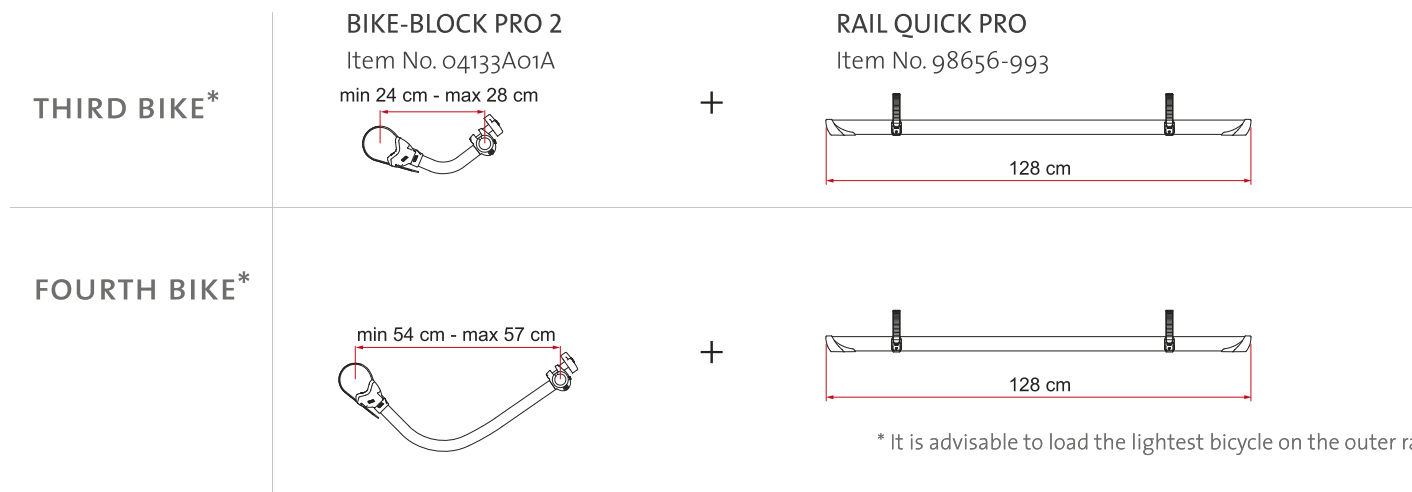
## TECHNICAL FEATURES

- Weight: 8,7kg
- Maximum loading weight: 60kg
- Distance between rails: 15cm
- Possibility to extend the rail support base up to 76cm in case of configuration with 4 rails



## INSTALLATION OF THE ADDITIONAL RAILS

The diagram suggests the combination between additional Bike-Block and Rail to safely transport up to 4 bikes



Description	Item No.	EAN code	Third bike		Fourth bike	
			Bike-Block	Rail	Bike-Block	Rail
Mercedes Vito	02093A05A	8004815378721	04133A01A	98656-993	04133C01A	98656-993

Description	Weight	Max load	Bikes carried standard	Bikes carried max
Mercedes Vito	8,7 kg	60 kg	2	4

### + ACCESSORIES

- Bike-Block Pro / D
- Bike-Block Pro S / S D
- Rail Quick Pro
- Rail Premium / S
- Bike Frame Adapter
- Cable-Lock
- Licence Plate Carrier
- Alu / Plastic Signal



Installation





# Opel Vivaro - Renault Trafic

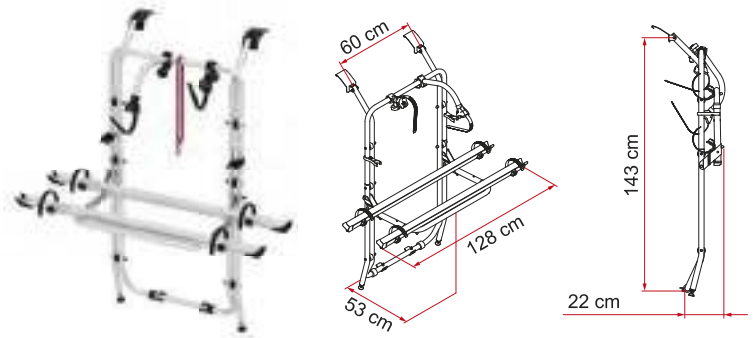
For Opel Vivaro and Renault Trafic with single rear door (H1).

## GENERAL INFORMATION

- Carries up to 4 bicycles
- Delivered as standard with 2 Rail Quick Pro, 1 Bike-Block Pro S 1 and 1 Bike-Block Pro S 3
- The licence plate carrier with control lighting is suggested

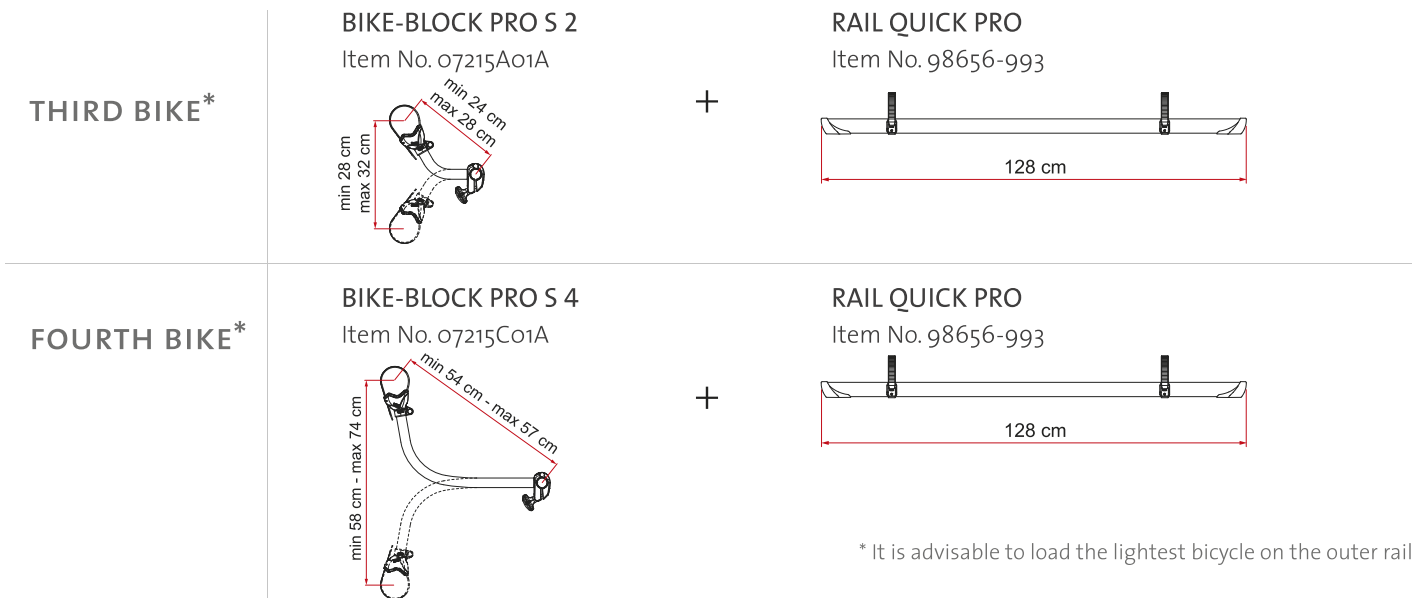
## TECHNICAL FEATURES

- Weight: 8,7kg
- Maximum loading weight: 60kg
- Distance between rails: 15cm
- Possibility to extend the rail support base up to 76cm in case of configuration with 4 rails
- Installation on: (2001-2014) Opel Vivaro, Renault Trafic, Nissan Primastar
- Installation also on: (from 2015) Opel Vivaro, Renault Trafic, Nissan NV 300, Fiat Talento



## INSTALLATION OF THE ADDITIONAL RAILS

The diagram suggests the combination between additional Bike-Block and Rail to safely transport up to 4 bikes



Description	Item No.	EAN code	Third bike		Fourth bike	
			Bike-Block	Rail	Bike-Block	Rail
Opel Vivaro - Renault Trafic	02093B72A	8004815378776	07215A01A	98656-993	07215C01A	98656-993

Description	Weight	Max load	Bikes carried standard	Bikes carried max
Opel Vivaro - Renault Trafic	8,7 kg	60 kg	2	4

### + ACCESSORIES

- Bike-Block Pro S
- Bike-Block Pro S D
- Rail Quick Pro
- Rail Premium
- Rail Premium S
- Bike Frame Adapter
- Cable-Lock
- Licence Plate Carrier
- Plastic Signal
- Alu Signal

Installation

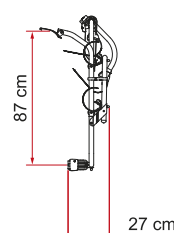
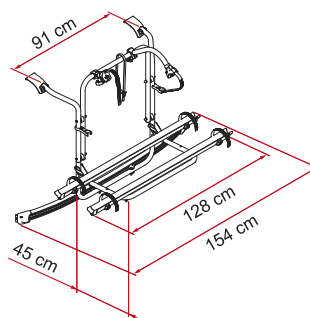






# Ford Custom

Designed for the vehicle models Ford Transit Custom and Ford Tourneo Custom from 2013 (H1) with single rear door.



## GENERAL INFORMATION

- Carries up to 3 bicycles
- Delivered as standard with 2 Rail Quick Pro, 1 Bike-Block Pro S 1 and 1 Bike-Block Pro S 3
- Also suitable for Ford Custom Nugget as long as the vehicle does not have a luggage rack
- It adheres to the lower part of the tailgate thanks to the calendered profile that follows the shape of the vehicle
- Easy installation with brackets, that are delivered as standard, without drilling the vehicle

## TECHNICAL FEATURES

- Weight: 8,5kg
- Maximum loading weight: 50kg
- Distance between rails: 15cm

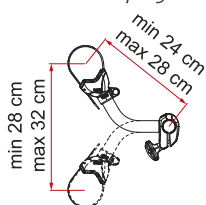


## INSTALLATION OF THE ADDITIONAL RAILS

The diagram suggests the combination between additional Bike-Block and Rail to safely transport up to 3 bikes

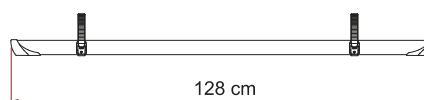
### THIRD BIKE\*

**BIKE-BLOCK PRO S 2**  
Item No. 07215A01A



+

**RAIL QUICK PRO**  
Item No. 98656-993



\* It is advisable to load the lightest bicycle on the outer rail

Description	Item No.	EAN code	Third bike	
			Bike-Block	Rail
Ford Custom	02094B07A	8004815378806	07215A01A	98656-993

Description	Weight	Max load	Bikes carried standard	Bikes carried max
Ford Custom	8,5 kg	50 kg	2	3

## + ACCESSORIES

- Bike-Block Pro S / S D
- Cable-Lock
- Rail Quick Pro
- Licence Plate Carrier
- Rail Premium / S
- Alu / Plastic Signal
- Bike Frame Adapter



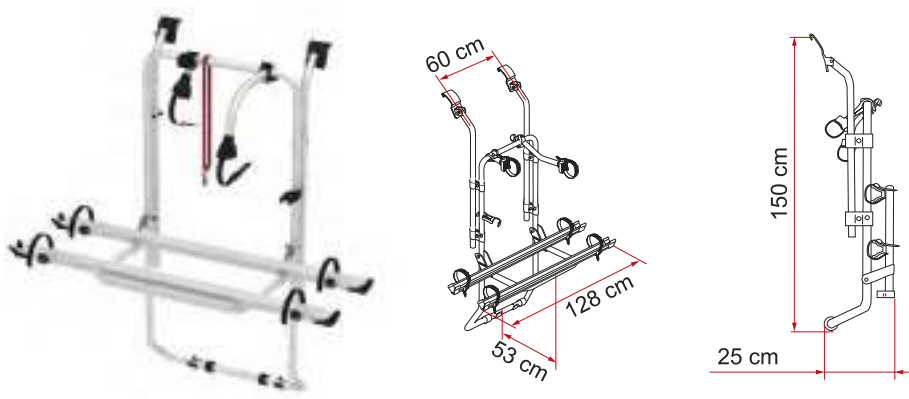
Installation





# Ford Transit

Designed for Ford Transit with rear door, from 2000 to 2011 (H1).



## GENERAL INFORMATION

- Carries up to 3 bicycles
- Delivered as standard with 2 Rail Quick Pro, 1 Bike-Block Pro 1 and 1 Bike-Block Pro 3

## TECHNICAL FEATURES

- Weight: 7,1kg
- Maximum loading weight: 50kg
- Distance between rails: 15cm



## INSTALLATION OF THE ADDITIONAL RAILS

The diagram suggests the combination between additional Bike-Block and Rail to safely transport up to 3 bikes

### THIRD BIKE\*

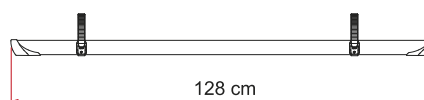
**BIKE-BLOCK PRO 2**  
Item No. 04133A01A

min 24 cm - max 28 cm



+

**RAIL QUICK PRO**  
Item No. 98656-993



\* It is advisable to load the lightest bicycle on the outer rail

Description	Item No.	EAN code	Third bike	
			Bike-Block	Rail
Ford Transit	02093A60A	8004815378844	04133A01A	98656-993

Description	Weight	Max load	Bikes carried standard	Bikes carried max
Ford Transit	7,1 kg	50 kg	2	3

### + ACCESSORIES

- Bike-Block Pro
- Bike-Block Pro S
- Bike-Block Pro S D
- Rail Quick Pro
- Rail Premium
- Rail Premium S
- Bike Frame Adapter
- Cable-Lock
- Licence Plate Carrier
- Alu Signal
- Plastic Signal



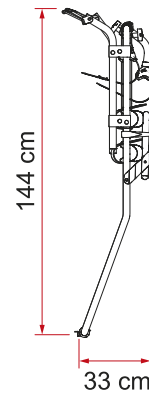
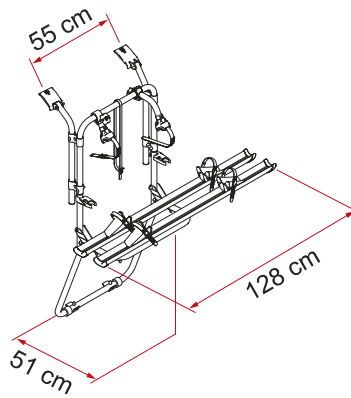
Installation





# Renault Trafic D

For Renault Trafic D and Opel Vivaro with double rear doors (H1).



## GENERAL INFORMATION

- Delivered as standard with 2 Rail Premium, 1 Bike-Block Pro 1 and 1 Bike-Block Pro 2
- Has a displacement of the upper bracket support point in order to allow the view of the third stop (on version > 2015).
- Installation on left rear door

## TECHNICAL FEATURES

- Weight: 7,7kg
- Maximum loading weight: 35kg
- Distance between rails: 15cm
- Installation on: (2001-2014) Opel Vivaro, Renault Trafic, Nissan Primastar
- Installation also on: (from 2015) Opel Vivaro, Renault Trafic, Nissan NV 300, Fiat Talento



Description	Item No.	EAN code	Weight	Max load	Bikes carried standard	Bikes carried max
Renault Trafic D	02093B74A	8004815383220	7,7 kg	35 kg	2	2

### + ACCESSORIES

- Bike-Block Pro S
- Cable-Lock
- Bike-Block Pro S D
- Alu Signal
- Bike Frame Adapter
- Plastic Signal



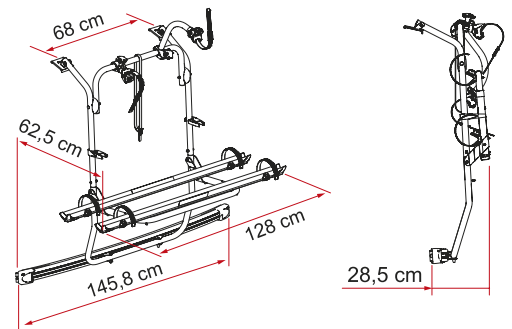
Installation





# PSA

Specific for PSA group vehicles.



## GENERAL INFORMATION

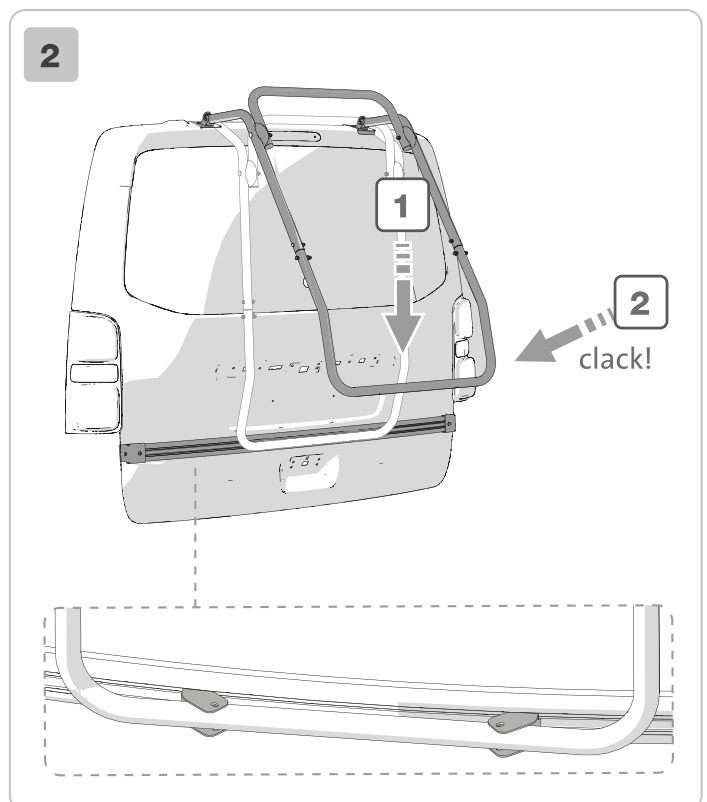
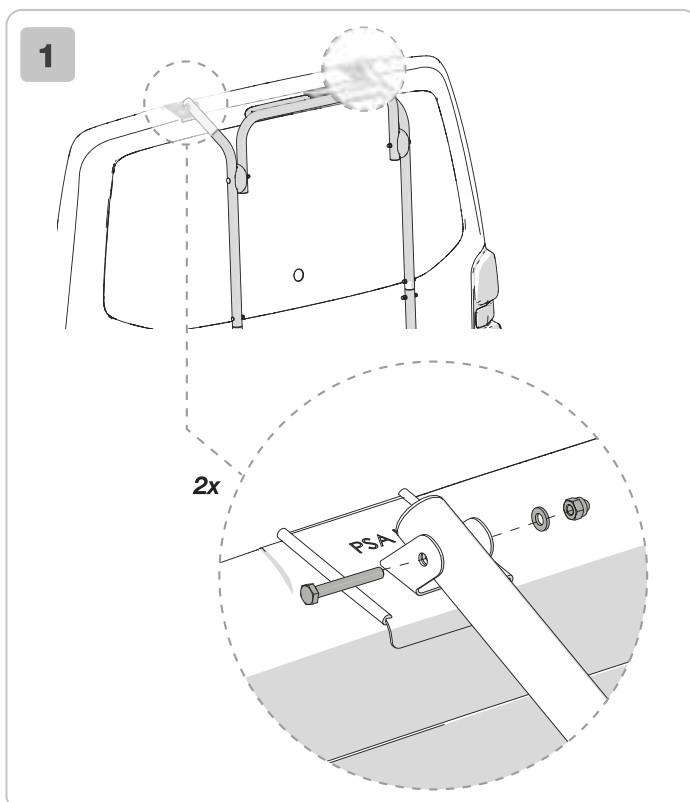
- Carries up to 4 bicycles
- Delivered as standard with 2 Rail Quick Pro, 1 Bike-Block Pro S 1 and 1 Bike-Block Pro S 3

## TECHNICAL FEATURES

- Weight: 14 kg
- Maximum loading weight: 60 kg
- Distance between rails: 15 cm
- Installs without drilling by hooking onto the vehicle's reinforcement points

## VEHICLE COMPATIBILITY

Brand	Model	Year
Citroën	Jumpy III generat.	> 2016
	Spacetourer	
Opel / Vauxhall	Vivaro C	> 2019
	Zafira Life 2019 Vivaro Life 2019	
Peugeot	Expert III generat.	> 2016
	Traveller	
Toyota	ProAce II	> 2016
	ProAce Verso	



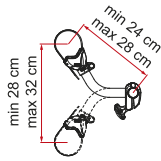


## INSTALLATION OF THE ADDITIONAL RAILS

The diagram suggests the combination between additional Bike-Block and Rail to safely transport up to 3 bikes

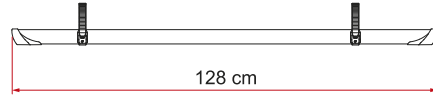
### THIRD BIKE\*

**BIKE-BLOCK PRO S 2**  
Item No. 07215A01A



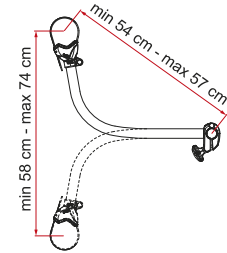
+

**RAIL QUICK PRO**  
Item No. 98656-993



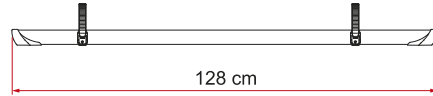
### FOURTH BIKE\*

**BIKE-BLOCK PRO S 4**  
Item No. 07215C01A



+

**RAIL QUICK PRO**  
Item No. 98656-993



\* It is advisable to load the lightest bicycle on the outer rail

Description	Item No.	EAN code	Third bike		Fourth bike	
			Bike-Block	Rail	Bike-Block	Rail
PSA	02094-28A	8004815412074	07215A01A	98656-993	07215C01A	98656-993
PSA (Deep Black)	02094A28A	8004815414665	07215H01A	98656M358	07215I01A	98656M358

Description	Weight	Max load	Bikes carried standard	Bikes carried max
PSA	14 kg	60 kg	2	4
PSA (Deep Black)				



### + ACCESSORIES

- Bike-Block Pro S
- Bike-Block Pro S D
- Rail Quick Pro
- Rail Premium
- Rail Premium S
- Bike Frame Adapter
- Cable-Lock
- Licence Plate Carrier
- Alu Signal
- Plastic Signal
- Dust Guard



Installation





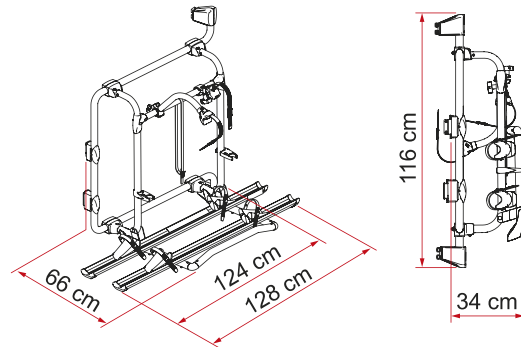
# Frame Crafter

Bicycle carrier for transporting two E-Bikes on a vehicle with double rear door. After 2016 (H3)\*.

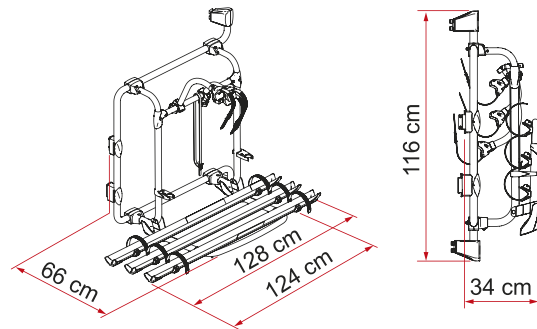
\* VW Crafter  $\geq$  2017 is the van with h 2590mm

## Frame Crafter E-Bike

E-Bike 



## Frame Crafter 3 bikes



### GENERAL INFORMATION

- Frame Crafter E-Bike: carries up to 2 E-Bikes
- Frame Crafter E-Bike: delivered as standard with 2 Rail Premium, 1 Bike-Block Pro 1 and 1 Bike-Block Pro 3
- Frame Crafter 3 bikes: carries up to 3 bikes
- Frame Crafter 3 bikes: delivered as standard with 3 Rail Quick Pro, 1 Bike-Block Pro 1, 1 Bike-Block Pro 2 and 1 Bike-Block Pro 3
- Specific for VW Crafter / Man TGE



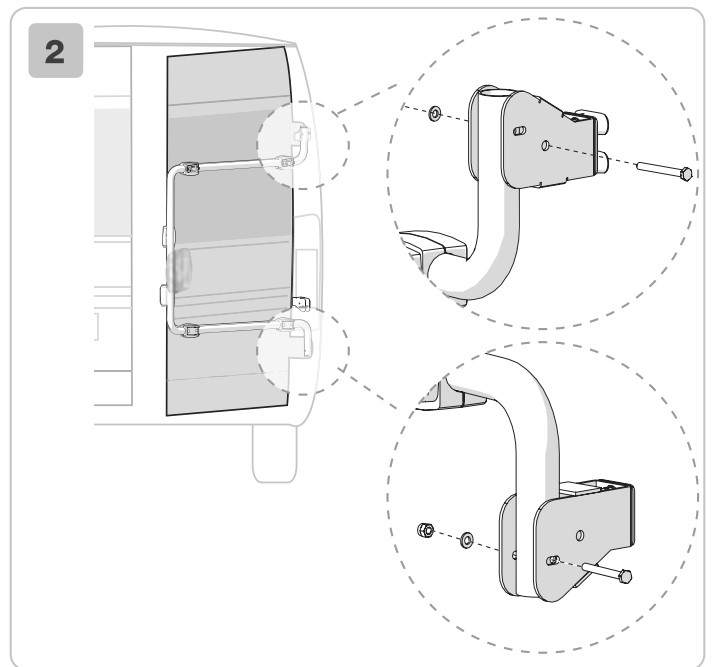
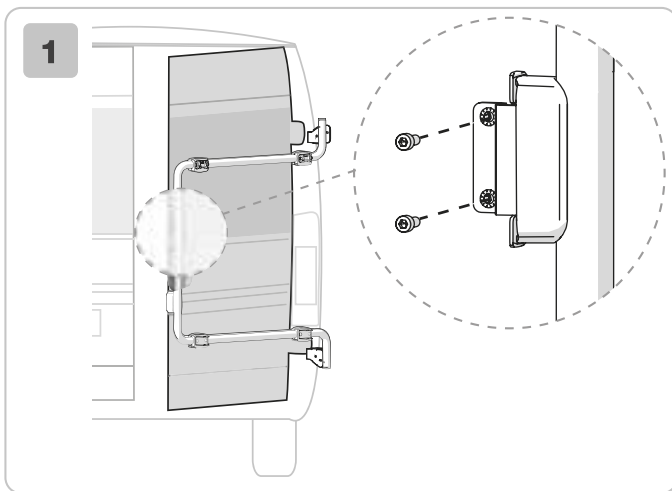
Not suitable for vehicles with 270° hinge system



The use of a repeater bar is compulsory for this vehicle.

### TECHNICAL FEATURES

- Weight Frame Crafter E-Bike: 16,7 kg
- Weight Frame Crafter 3 bikes: 17,6 kg
- Maximum loading weight: 50 kg
- Distance between rails: 15cm
- A solid steel frame is installed utilising the standard anchoring points on the vehicle
- Installation on right rear door



Description	Item No.	EAN code	Weight	Max load	Bikes carried standard	Bikes carried max
Frame Crafter E-Bike	02094-31A	8004815415631	16,7 kg	50 kg	2	2
Frame Crafter 3 Bikes	02094-33A	8004815418052	17,6 kg	50 kg	3	3



**+ ACCESSORIES**

- Bike-Block Pro
- Bike-Block Pro S
- Bike-Block Pro S D
- Rail Premium S
- Bike Frame Adapter
- Licence Plate Carrier
- Cable-Lock
- Alu Signal
- Plastic Signal

Installation  
Frame Crafter E-Bike



Installation  
Frame Crafter 3 Bikes



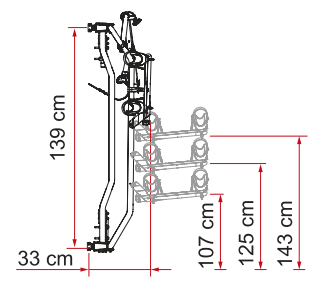
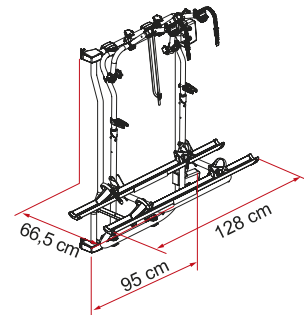


# Frame Ducato

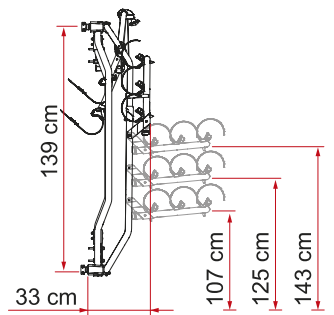
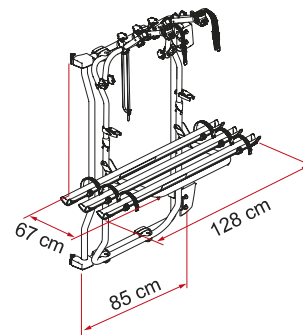
Bicycle carrier for transporting 2 E-Bikes or 3 bicycles on a Ducato with a double rear door.

## Frame Ducato E-Bike

E-Bike



## Frame Ducato 3 bikes



### GENERAL INFORMATION

- Frame Ducato E-Bike: carries up to 2 E-Bikes
- Frame Ducato E-Bike: delivered as standard with 2 Rail Premium and 2 Bike-Block Pro S D1
- Frame Ducato 3 bikes: carries up to 3 bikes
- Frame Ducato 3 bikes: delivered as standard with 3 Rail Quick Pro, 1 Bike-Block Pro S D2 and 2 Bike-Block Pro S D1
- Specific for Ducato > 2006
- Painted aluminium for Deep Black version

### TECHNICAL FEATURES

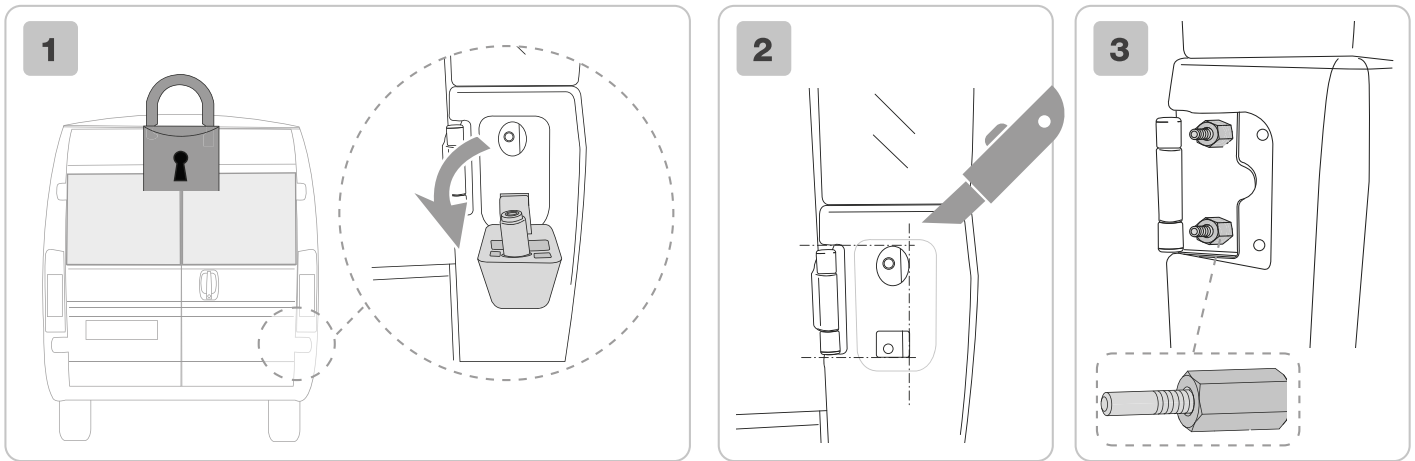
- Weight Frame Ducato E-Bike: 20,7 kg
- Weight Frame Ducato 3 bikes: 21,6 kg
- Maximum loading weight: 50 kg
- Distance between rails: 23 cm
- A solid steel frame is installed utilising the standard anchoring points on the vehicle
- Installation requires cutting away a small part of the fender
- Installation on right rear door



Not suitable for vehicles with 270° hinge system

The use of a repeater bar is compulsory for this vehicle.

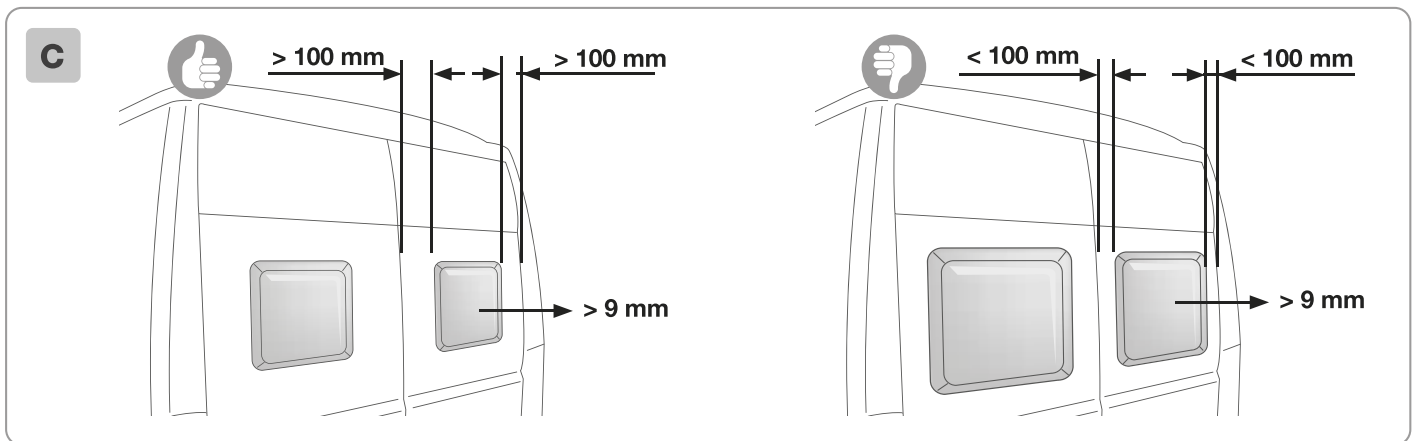
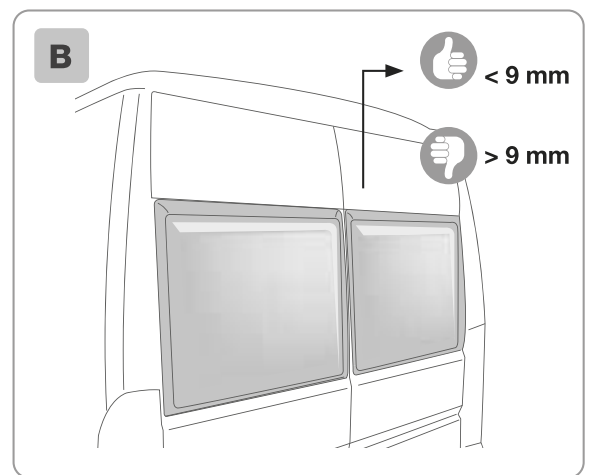




The Carry-Bike Frame Ducato can be installed on:

- A. Standard original vehicles (not modified)
- B. Camper vans with a rear window with a protrusion of less than 9 mm
- C. Camper vans with a rear window with a protrusion of more than 9 mm and distance from the edges of the tailgate greater than 100 mm

In case of Polyplastic or Remis windows, the Carry-Bike Frame Ducato can only be installed if the vehicle complies with the condition of point C.



Description	Item No.	EAN code	Weight	Max load	Bikes carried standard	Bikes carried max
Frame Ducato E-Bike	02094-27A	8004815409838	20,7 kg	50 kg	2	2
Frame Ducato E-Bike (Deep Black)	02094A27A	8004815409845				
Frame Ducato 3 Bikes	02094-32A	8004815417963	21,6 kg	50 kg	3	3
Frame Ducato 3 Bikes (Deep Black)	02094A32A	8004815417970				

**+ ACCESSORIES**

- Rail Premium (Frame Ducato 3 bikes)
- Rail Premium S
- Bike-Block Pro S /S D Bike Frame Adapter
- Cable-Lock
- Licence Plate Carrier
- Alu Signal
- Plastic Signal

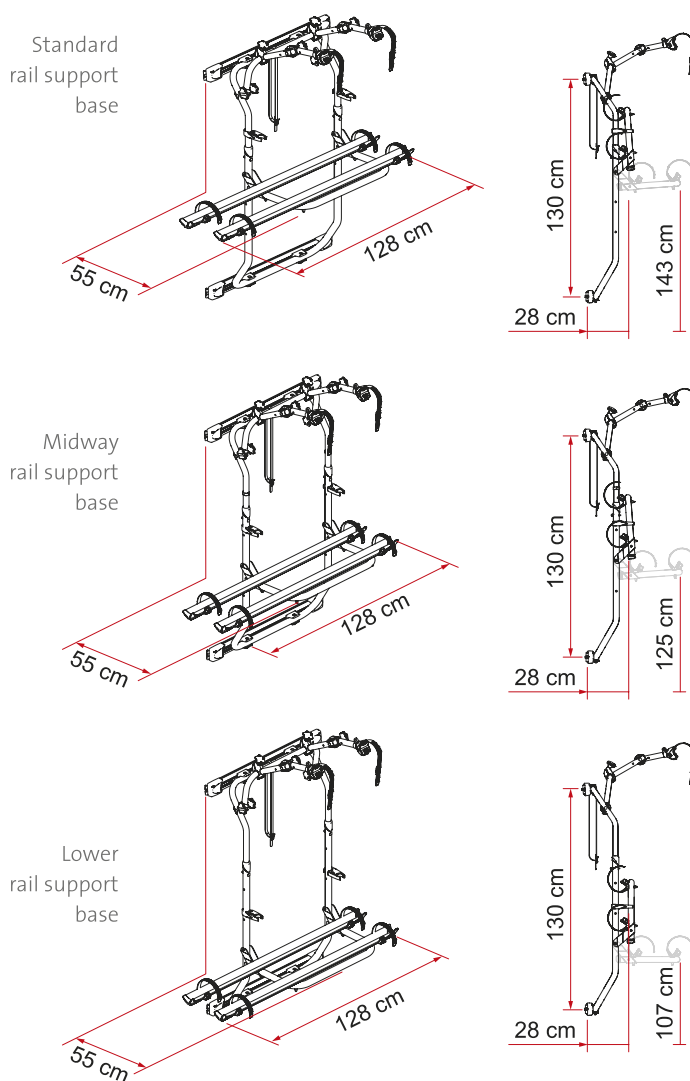
Installation Frame Ducato E-Bike      Installation Frame Ducato 3 Bikes





# 200 DJ Ducato > 2006

New structure, assembly can be fast and safe.



## GENERAL INFORMATION

- Delivered as standard with 2 Rail Quick Pro e 2 Bike-Block Pro S D1
- Specific for Ducato > 2006
- Painted aluminium for Deep Black version

## TECHNICAL FEATURES

- Weight: 11kg
- Maximum loading weight: 35kg
- Distance between rails: 23cm
- Quick and safe installation, thanks to the new system of attachment of the main structure to the Fixing Bars



We recommend using the repeater bar in the middle and low positions

Description	Item No.	EAN code	Weight	Portata max	Portata bici standard	Portata bici max
200 DJ Ducato > 2006	02094-26A	8004815402211	11 kg	35 kg	2	2
200 DJ Ducato > 2006 Deep Black	02094A26A	8004815402228				

### + ACCESSORIES

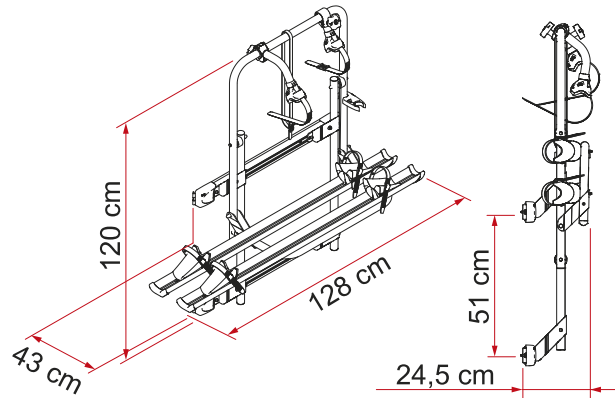
- Bike-Block Pro S
- Bike-Block Pro S D
- Bike Frame Adapter
- Cable-Lock
- Licence Plate Carrier
- Alu Signal
- Plastic Signal





# 200 DJ Ducato < 2006

For Fiat Ducato, Peugeot Boxer, Citroën Jumper from 1994 up to 2006 (H2).



## GENERAL INFORMATION

- Delivered as standard with 2 Rail Premium, 1 Bike-Block Pro 1 and 1 Bike-Block Pro 2

## TECHNICAL FEATURES

- Weight: 9,0kg
- Maximum loading weight: 35kg
- Distance between rails: 15cm
- Suitable for: Fiat Ducato, Peugeot Boxer, Citroën Jumper from 1994 to 2006
- Suitable also for: Mercedes Sprinter until 2006
- Installation on right rear door

Description	Item No.	EAN code	Weight	Max load	Bikes carried standard	Bikes carried max
200 DJ Ducato < 2006	02093A65A	8004815383084	9,0 kg	35 kg	2	2

### + ACCESSORIES

- Bike-Block Pro S
- Bike-Block Pro S D
- Bike Frame Adapter
- Cable-Lock
- Licence Plate Carrier
- Alu Signal
- Plastic Signal



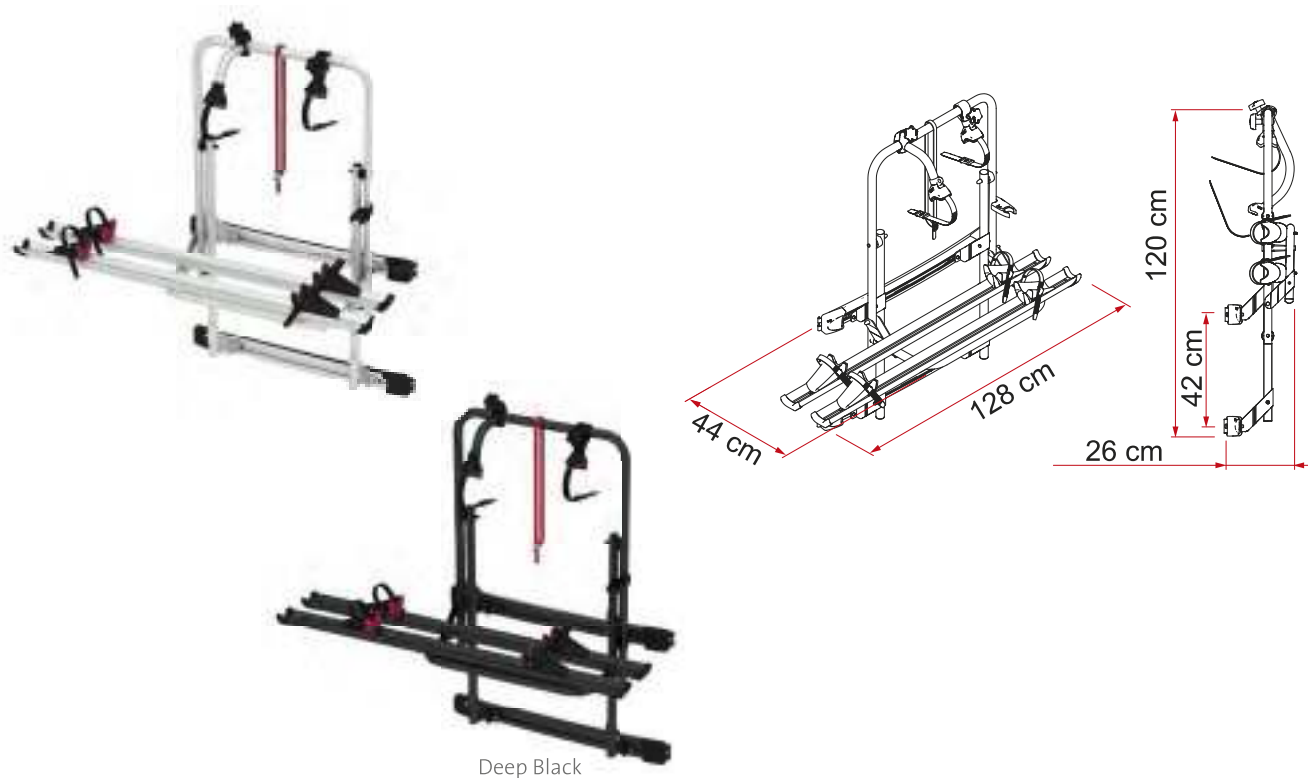
Installation





# 200 DJ Sprinter / Crafter

For Mercedes Sprinter from 2006 and VW Crafter from 2006 up to 2017 (H2).



## GENERAL INFORMATION

- Delivered as standard with 2 Rail Premium, 1 Bike-Block Pro S 1 and 1 Bike-Block Pro S 2

## TECHNICAL FEATURES

- Weight: 9kg
- Maximum loading weight: 35kg
- Distance between rails: 15cm
- Suitable for: Mercedes Sprinter from 2006, Volkswagen Crafter from 2006 to 2017
- Installation on right rear door

Description	Item No.	EAN code	Weight	Max load	Bikes carried standard	Bikes carried max
200 DJ Sprinter/Crafter	02093B93A	8004815383114	9,0 kg	35 kg	2	2
200 DJ Sprinter/Crafter Deep Black	02093A93A	8004815415136				

## + ACCESSORIES

- Bike-Block Pro S
- Bike-Block Pro S D
- Bike Frame Adapter
- Cable-Lock
- Licence Plate Carrier
- Alu Signal
- Plastic Signal
- Dust Guard



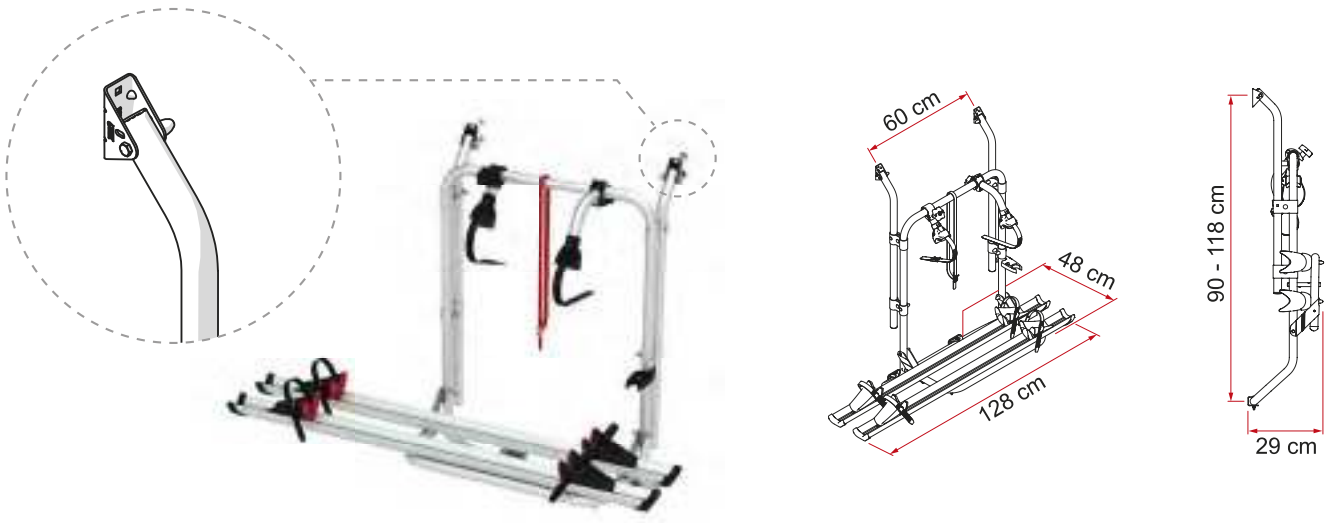
Installation





# 200 D

For van conversions with double rear doors.



## GENERAL INFORMATION

- Vertical wheelbase variable from 90 to 118 to adapt to different height rear doors
- Delivered as standard with 2 Rail Premium, 1x Bike-Block Pro 1 and 1x Bike-Block Pro 2

## TECHNICAL FEATURES

- Weight: 6,9kg
- Maximum loading weight: 35kg
- Distance between rails: 15cm
- Horizontal wheelbase variable from 58 to 62cm to adapt to different rear doors
- Upper wall installation brackets only 34mm wide.
- Suitable for: Fiat Ducato and Peugeot J5, Ford Transit (H1, H2 e H3), Mercedes MB 100, Citroën C25 until 1994, VW LT (Standard and High Roof)
- Installation on right rear door

Description	Item No.	EAN code	Weight	Max load	Bikes carried standard	Bikes carried max
200 D	02093A15A	8004815383077	6,9 kg	35 kg	2	2

### + ACCESSORIES

- Bike-Block Pro S
- Bike-Block Pro S D
- Cable-Lock
- Bike Frame Adapter
- Licence Plate Carrier
- Alu Signal
- Plastic Signal



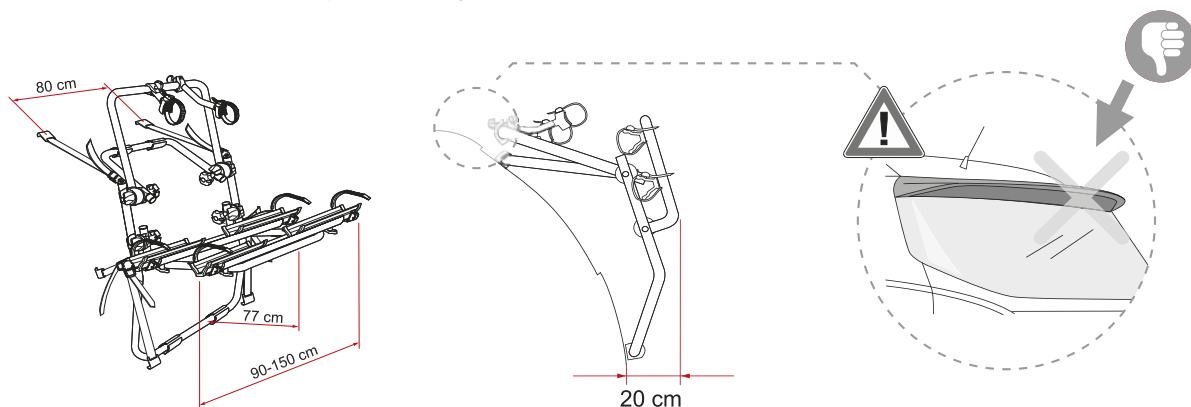
Installation





# Backpack

The Carry-Bike with universal straps is easily installed on all minivans.



## GENERAL INFORMATION


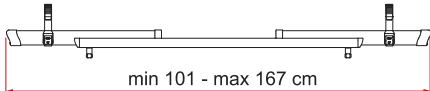
- Carries up to 3 bicycles
- Delivered as standard with 2 Rail Quick C Black, 1 Bike-Block Pro 1 and 1 Bike-Block Pro 3
- The Carry-Bike with universal straps is easily installed on all minivans
- Not suitable for fibreglass rear doors
- Before installing, make sure that there isn't spoiler on rear door

## TECHNICAL FEATURES

- Weight: 8 kg
- Maximum loading weight: 50kg
- Distance between rails: 15cm

## INSTALLATION OF THE ADDITIONAL RAILS

The diagram suggests the combination between additional Bike-Block and Rail to safely transport up to 3 bikes

<b>THIRD BIKE*</b>	<b>BIKE-BLOCK PRO 2</b> Item No. 04133A01A min 24 cm - max 28 cm 	+	<b>RAIL QUICK C</b> Item No. 98656-369  min 101 - max 167 cm
	* It is advisable to load the lightest bicycle on the outer rail		

Description	Item No.	EAN code	Third bike	
			Bike-Block	Rail
Backpack	02093A38-	8004815381684	04133A01A	98656-369

Description	Weight	Max load	Bikes carried standard	Bikes carried max
Backpack	8,0 kg	50 kg	2	3

### + ACCESSORIES

- Bike-Block Pro S
- Bike-Block Pro S D
- Bike Frame Adapter
- Cable-Lock
- Alu Signal
- Plastic Signal



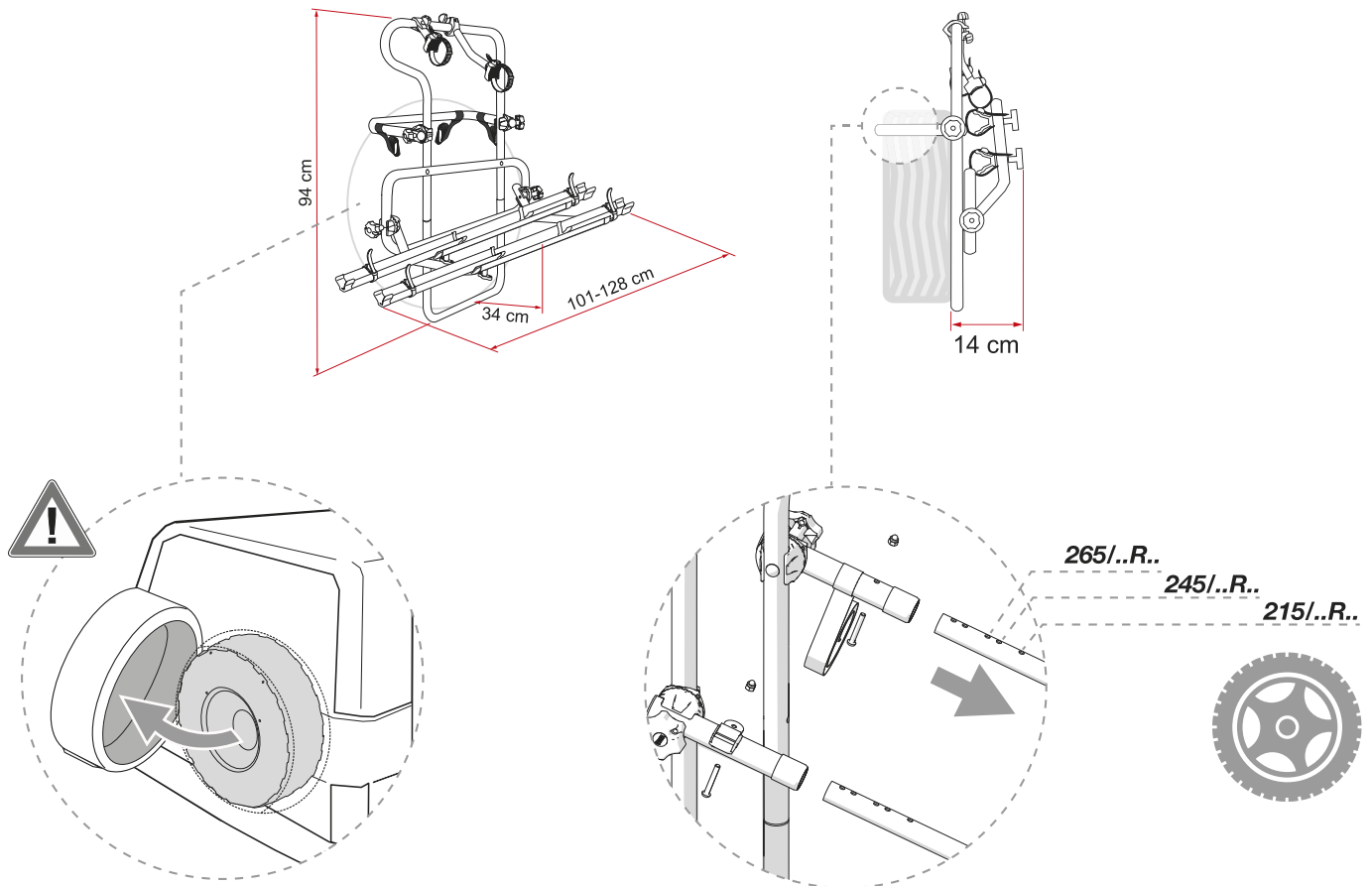
Installation





# Backpack 4x4

Bike carrier for SUV with rapid installation to the rear spare tyre thanks to the sturdy straps.



## GENERAL INFORMATION

- Delivered as standard with 2 Rail Strip C, 1 Bike-Block Pro 1 and 1 Bike-Block Pro 2
- Before mounting remove the rigid cover of the spare tyre

## TECHNICAL FEATURES

- Weight: 7,8kg
- Maximum loading weight: 35kg
- Distance between rails: 15cm

Description	Item No.	EAN code	Weight	Max load	Bikes carried standard	Bikes carried max
Backpack 4x4	02093B38-	8004815075156	7,8 kg	35 kg	2	2

### + ACCESSORIES

- Bike-Block Pro S
- Bike-Block Pro S D
- Bike Frame Adapter
- Cable-Lock
- Alu Signal
- Plastic Signal



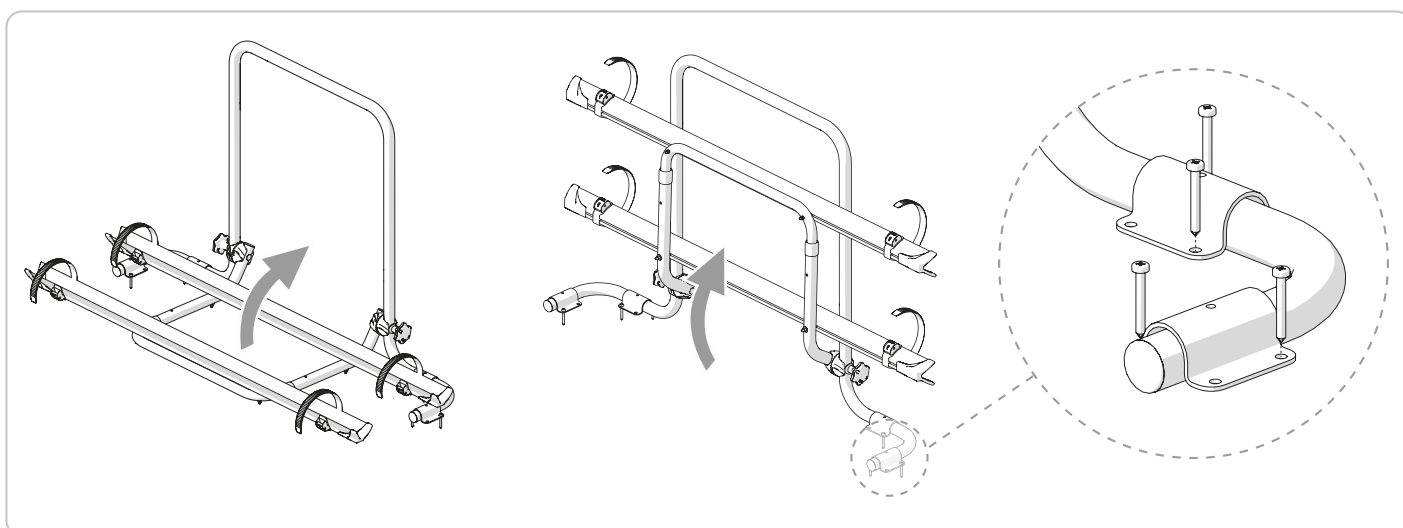
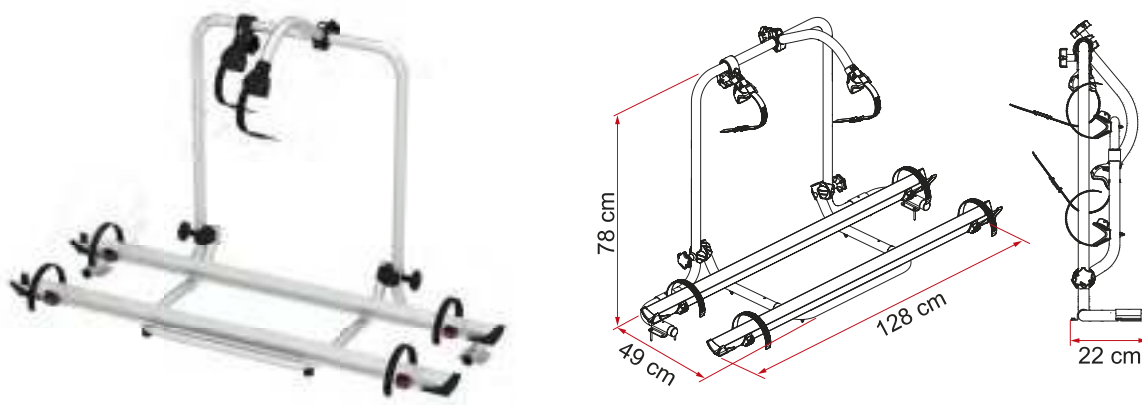
Installation





# Garage Plus

Bike carrier for motorhomes with garage facility.



## GENERAL INFORMATION

- Carries up to 4 bicycles
- Delivered as standard with 2 Rail Quick Pro, 1 Bike-Block Pro 1 and 1 Bike-Block Pro 3
- When closed it takes only 22cm

## TECHNICAL FEATURES

- Weight: 5,6kg
- Maximum loading weight: 60kg
- Distance between rails: 15cm
- Possibility to extend the rail support base up to 76cm in case of configuration with 4 rails



It is important to analyse the floor before installation to create a safety situation.

If necessary, use counter plates and sealants suitable for the materials concerned.

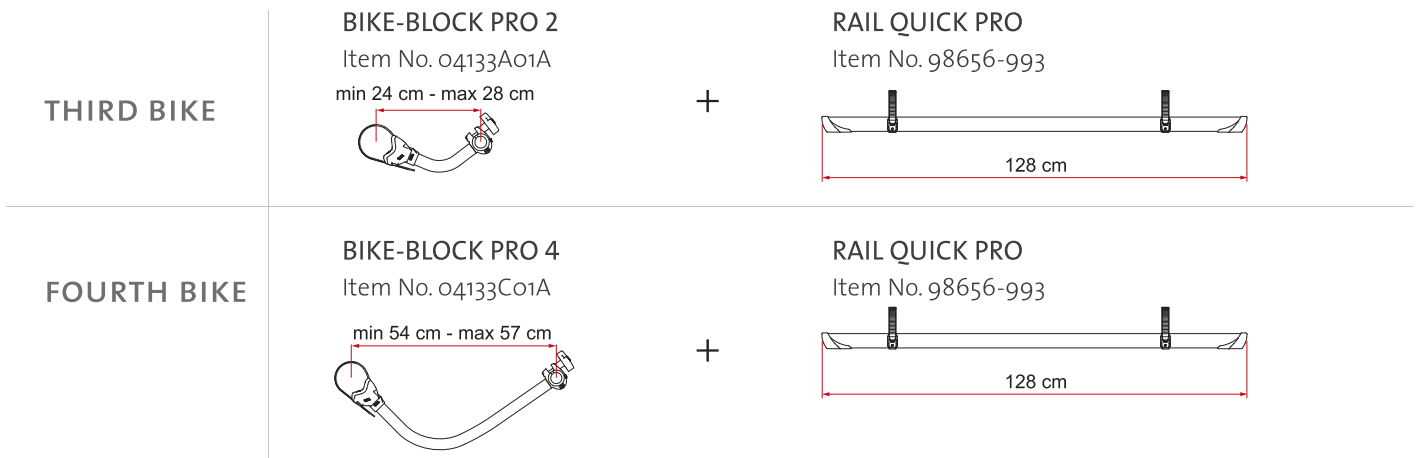






## INSTALLATION OF THE ADDITIONAL RAILS

The diagram suggests the combination between additional Bike-Block and Rail to safely transport up to 4 bikes



Description	Item No.	EAN code	Third bike		Fourth bike	
			Bike-Block	Rail	Bike-Block	Rail
Garage Plus	02093A78A	8004815397715	04133A01A	98656-993	04133C01A	98656-993

Description	Weight	Max load	Bikes carried standard	Bikes carried max
Garage Plus	5,6 kg	60 kg	2	4

### + ACCESSORIES

- Bike-Block Pro
- Bike-Block Pro D
- Bike-Block Pro S
- Bike-Block Pro S D
- Rail Quick Pro
- Rail Premium / XL
- Bike Frame Adapter
- Cable-Lock



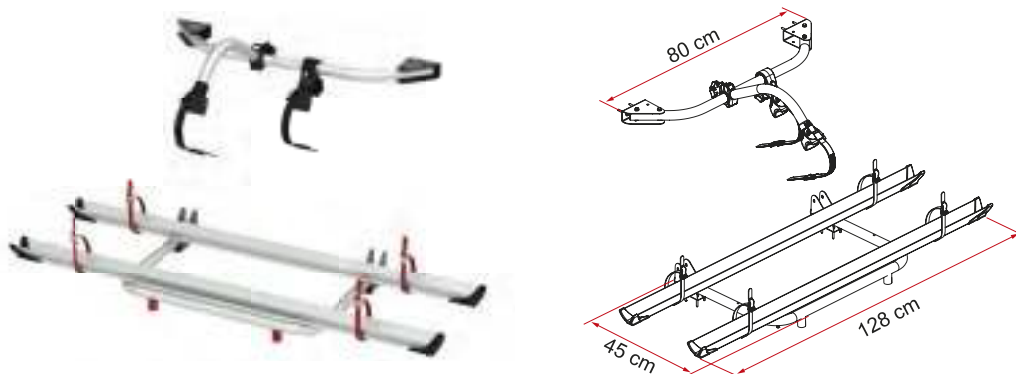
Installation





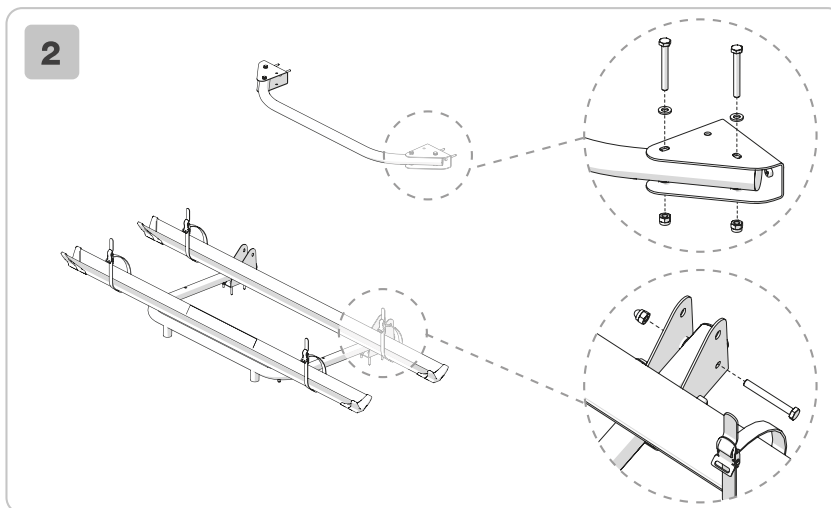
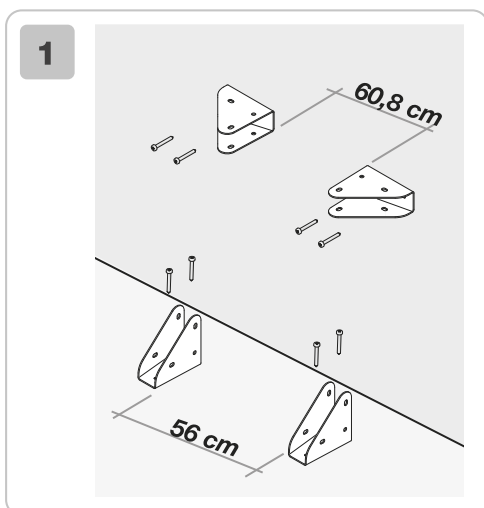
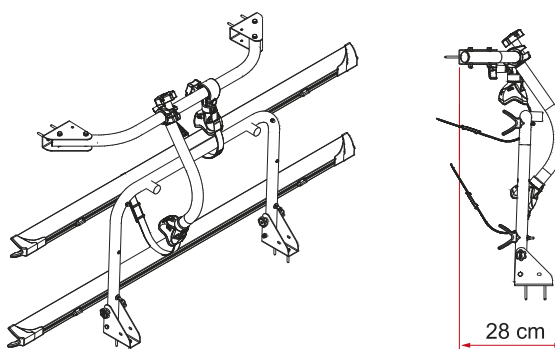
# Garage Standard

Bike carrier with lower section fastened to the floor and Bike-Block fixed to the wall or to the roof.



It is important to analyse the floor and wall before installation to create a safety situation.

If necessary, use counter plates and sealants suitable for the materials concerned.



## GENERAL INFORMATION

- Carries up to 3 bicycles
- Delivered as standard with 2 Rail Strip Pro, 1 Bike-Block Pro 1 and 1 Bike-Block Pro 3

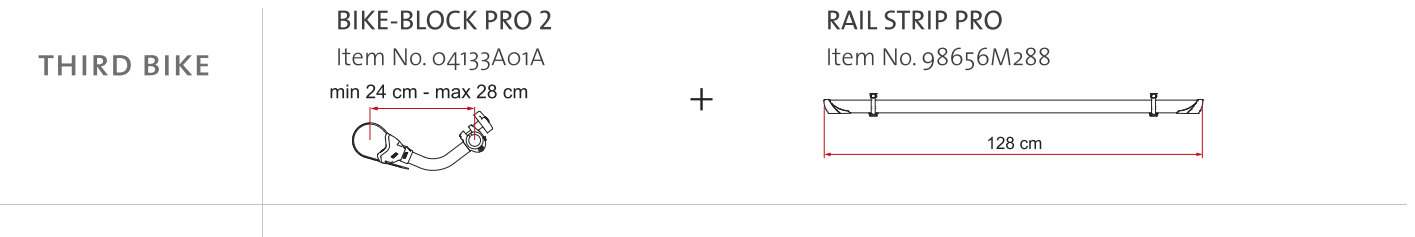
## TECHNICAL FEATURES

- Weight: 4,8kg
- Maximum loading weight: 50kg
- Distance between rails: 15cm



## INSTALLATION OF THE ADDITIONAL RAILS

The diagram suggests the combination between additional Bike-Block and Rail to safely transport up to 3 bikes



Description	Item No.	EAN code	Third bike	
			Bike-Block	Rail
Garage Standard	02093A54A	8004815397586	04133A01A	98656M288

Description	Weight	Max load	Bikes carried standard	Bikes carried max
Garage Standard	4,8 kg	50 kg	2	3



**+** ACCESSORIES

- Bike-Block Pro
- Bike-Block Pro S
- Bike-Block Pro S D
- Bike-Block Pro D
- Rail Strip Pro
- Rail Premium / XL
- Rail Premium S
- Bike Frame Adapter
- Cable-Lock



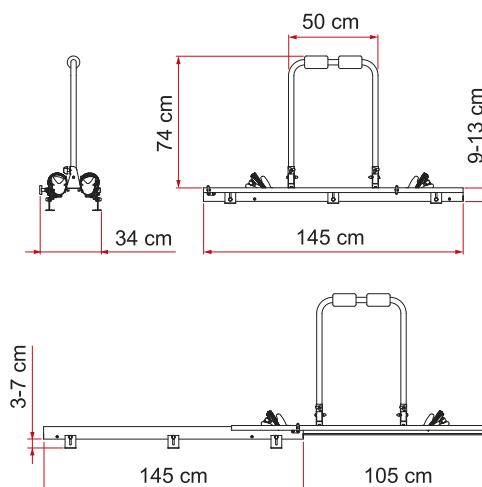
Installation





# Garage Slide Pro Bike

Sliding bike carrier to install in the garage facility or storage compartment of the motorhome.



## GENERAL INFORMATION

- Height adjustable from 9 to 13cm
- Delivered as standard with 2 strip

## TECHNICAL FEATURES

- Weight: 9,9kg
- Maximum loading weight: 50kg
- Seat-wheel distance: 15cm



Description	Item No.	EAN code	Weight	Max load	Bikes carried standard	Bikes carried max
Garage Slide Pro Bike	04822-05-	8004815387051	9,9 kg	50 kg	2	2



It is important to analyse the floor before installation to create a safety situation.

If necessary, use counter plates and sealants suitable for the materials concerned.

## + ACCESSORIES

- Bike-Block Pro
- Bike-Block Pro D
- Bike-Block Pro S
- Bike-Block Pro S D
- Bike Frame Adapter
- Cable-Lock



Installation





# Garage Pack Plus

Multi-purpose kit complete with fixing structure for bikes and various accessories to arrange the garage facility in the best way.

## GENERAL INFORMATION

- Carries up to 3 bicycles
- Delivered as standard with Rail Strip Pro, 1 Bike-Block Pro D1 and 1 Bike-Block Pro D2

## CONSISTS OF:

- 2x aluminium bars 63cm
- 2x aluminium bars 198cm
- 2x aluminium bars 79cm
- 2x reinforced rails
- 1x support bar to fix Bike-Block
- 1x Bike-Block Pro D1 and Pro D2
- 1x Pack Organizer Shoes
- 1x Pack Organizer S
- 8x galvanized rings
- 1x rubber band Ø 0,8 x 180cm
- 4x Strip to fix bikes



It is important to analyse the floor and the wall before installation to create a safety situation. If necessary, use counter plates and sealants suitable for the materials concerned.

Installation



Description	Item No.	EAN code	Weight	Bikes carried standard	Bikes carried max
Garage Pack Plus	98655A911	8004815401764	5,0 kg	2	3

# Garage Pack

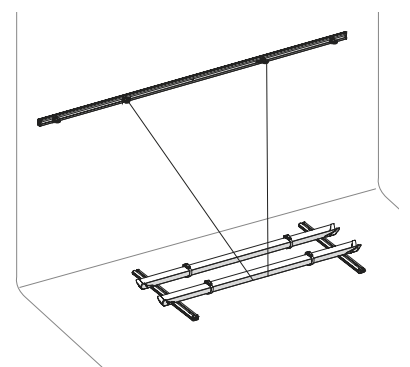
Simple and flexible modular system.

## GENERAL INFORMATION

- Carries up to 3 bicycles
- Delivered as standard with 2 Rail Strip Pro

## CONSISTS OF:

- 2x aluminium bars 63cm
- 1x aluminium bar 198cm
- 2x reinforced rails
- 2x galvanized rings
- 1x rubber band Ø 0,8 x 180cm



It is important to analyse the floor and the wall before installation to create a safety situation. If necessary, use counter plates and sealants suitable for the materials concerned.

Installation



Description	Item No.	EAN code	Weight	Bikes carried standard	Bikes carried max
Garage Pack	98655A910	8004815403324	4,0 kg	2	3

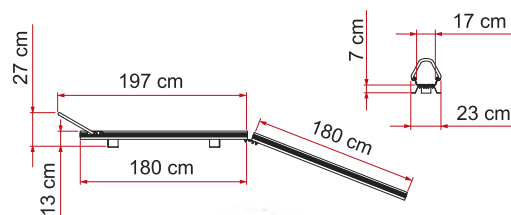
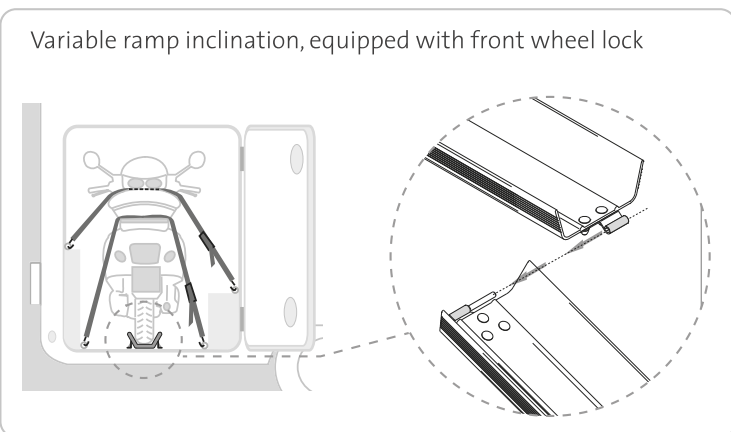


# Carry-Moto

Moto carrier systems, ideal to be installed in motorhomes with garage facilities.

## CONSISTS OF:

- 1x anodized aluminium motorcycle rail, hinged
- 1x anodized aluminium chute
- 2x straps to fix



It is important to analyse the floor before installation to create a safety situation. If necessary, use counter plates and sealants suitable for the materials concerned.

Installation



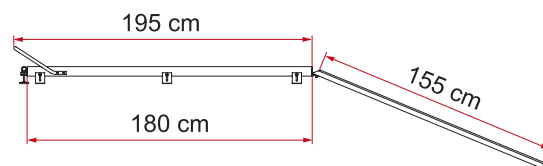
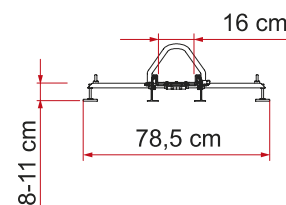
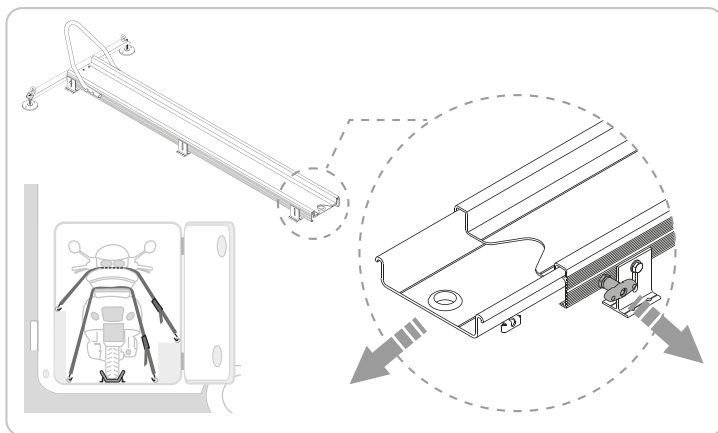
Description	Type of vehicle	Weight	Max load	Wheel width max	Item No.	EAN code
Carry-Moto	Motorhome / Van conversion	12,2 kg	200 kg	14 cm	02095-01-	8004815162313

# Carry-Moto Pro

Practical system composed of two telescopic rails

## CONSISTS OF:

- 2x telescopic rails equipped with anti-slip device
- 2x fixing feet adjustable in height from 8 to 11 cm
- 2x straps to fix



It is important to analyse the floor before installation to create a safety situation. If necessary, use counter plates and sealants suitable for the materials concerned.

Installation



Description	Type of vehicle	Weight	Max load	Wheel width max	Item No.	EAN code
Carry-Moto Pro	Motorhome / Van conversion	15,4 kg	200 kg	16 cm	02095-03-	8004815246112

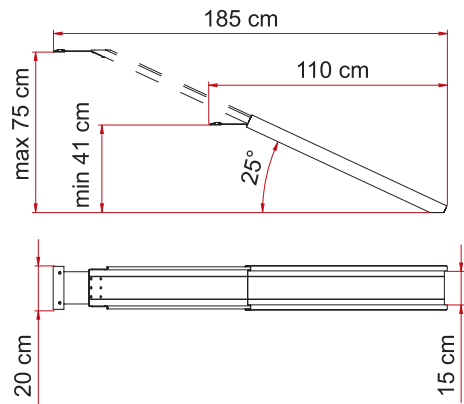
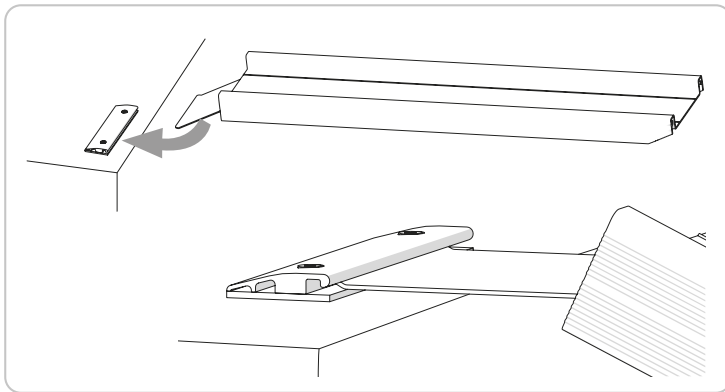


# Carry-Ramp

Telescopic ramp, hooks and unhooks easily from the garage floor.

## GENERAL INFORMATION

- Telescopic anodized aluminium ramp
- Extendable up to 175 cm
- With 2 pieces of Carry-Ramp you can create a system of ramps for loading scooters and wheelchairs and quad



Installation



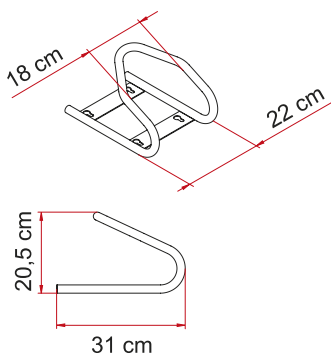
Description	Type of vehicle	Weight	Max load	Wheel width max	Item No.	EAN code
Carry-Ramp	Motorhome / Van conversion	7 kg	130 kg	15 cm	02095-04-	8004815246105

# Moto Wheel Chock

Motorbike wheel chock, can be combined with the Carry-Ramp.

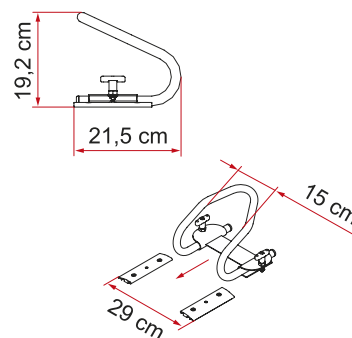
## Moto Wheel Chock Front

- Quick assembly and disassembly thanks to the 4 screw anchor holes (also on wood)
- Delivered as with 2 click strips



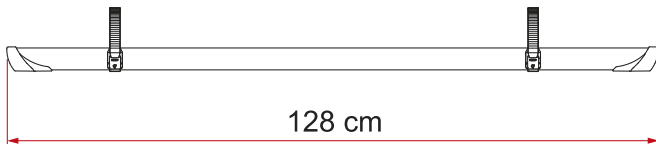
## Moto Wheel Chock Rear

- Easy to assemble and to remove thanks to the quick removable knobs.
- Delivered as standard with rails for floor fixing.



Description	Type of vehicle	Weight	Item No.	EAN code
Carry-Wheel Chock Front	Motorhome / Van conversion	2,4 kg	05781-01-	8004815249267
Carry-Wheel Chock Rear	Motorhome / Van conversion	2,4 kg	05800-01-	800481525428

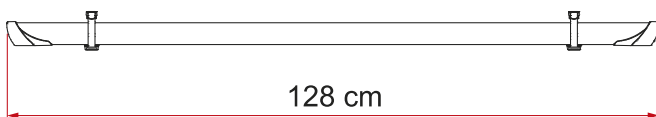
**RAIL QUICK PRO**



Description	Colour*	Hooking type	Left-Right sliding	Back-Forward sliding	Length	Weight	Item No.	EAN Code
Rail Quick Pro	black	Quick Safe	•	•	128 cm	1,0 kg	98656-993	8004815353766
Rail Quick Pro	blue	Quick Safe	•	•	128 cm	1,0 kg	98656M040	8004815364342
Rail Quick Pro	grey	Quick Safe	•	•	128 cm	1,0 kg	98656M289	8004815400392
Rail Quick Pro (Deep Black)	black	Quick Safe	•	•	128 cm	1,0 kg	98656M358	8004815406332

- Standard
  - Optional (with Kit Premium S)
- \* plastic details

**RAIL STRIP PRO**

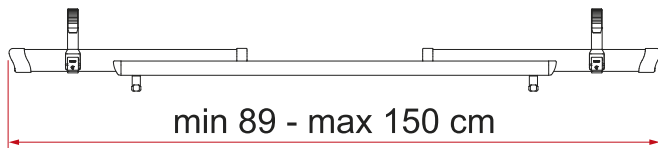


Description	Hooking type	Left-Right sliding	Back-Forward sliding	Length	Weight	Item No.	EAN Code
Rail Strip Pro	Strip	•	•	128 cm	1,0 kg	98656M288	8004815400378

- Standard
- Optional (with Kit Premium S)



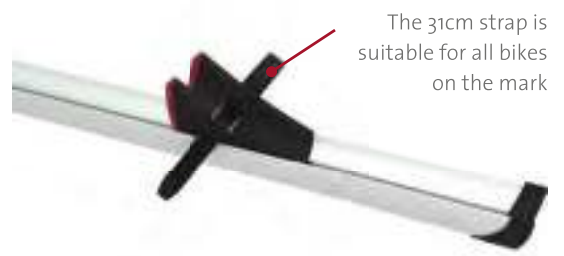
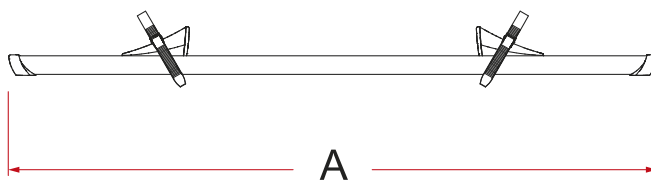
**RAIL QUICK C**



Description	Hooking type	Left-Right sliding	Back-Forward sliding	Length	Weight	Item No.	EAN Code
Rail Quick C	Quick Safe	•	•	89 -150 cm	1,2 kg	98656-369	8004815095802

- Standard
- Optional (with Kit Premium S)

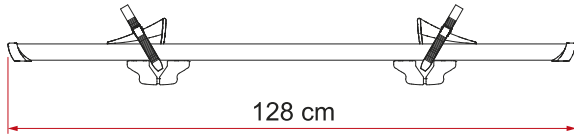
**RAIL PREMIUM / XL**



Description	Hooking type	Left-Right sliding	Back-Forward sliding	Length A	Weight	Item No.	EAN Code
Rail Premium	Premium Quick	•	•	128 cm	1,3 kg	98656M131	8004815381707
Rail Premium Deep Black	Premium Quick	•	•	128 cm	1,3 kg	98656M150	8004815386801
Rail Premium XL	Premium Quick	•	•	139 cm	1,9 kg	98656M132	8004815381714
Rail Premium XL Deep Black	Premium Quick	•	•	139 cm	1,9 kg	98656M153	8004815387839

- Standard
- Optional (with Kit Premium S)

**RAIL PREMIUM S**



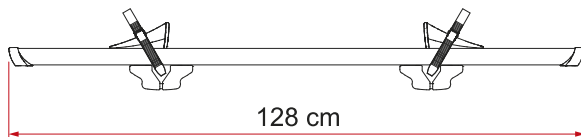
Description	Hooking type	Left-Right sliding	Back-Forward sliding	Length A	Weight	Item No.	EAN Code
Rail Premium S	Premium Quick	•	•	128 cm	1,7 kg	98656M133	8004815381721
Rail Premium S Deep Black	Premium Quick	•	•	128 cm	1,7 kg	98656M152	8004815387822

• Standard

**RAIL PREMIUM S FAT BIKE**



Comfortable 40cm strap with fast and safe ratchet coupling



Not suitable for Carry-Bike Caravan XL A model

Description	Hooking type	Left-Right sliding	Back-Forward sliding	Length A	Weight	Item No.	EAN Code
Rail Premium S Fat Bike	Premium Quick	•	•	128 cm	2,0 kg	98656M146	8004815385149
Rail Premium S Fat Bike Deep Black	Premium Quick	•	•	128 cm	2,0 kg	98656M151	8004815386818

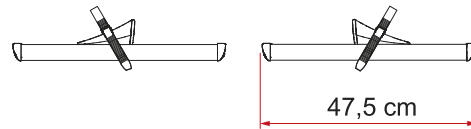
• Standard • Optional (with Kit Premium S)

**KIT PREMIUM S**



Description	Colour	Weight	Item No.	EAN Code
Kit Premium S	black	0,3 kg	98656M134	8004815381738

**KIT RAIL PREMIUM 48**



Description	Hooking type	Left-Right sliding	Back-Forward sliding	Length A	Weight	Item No.	EAN Code
Kit Rail Premium 48	Premium Quick	•	•	101-167 cm	1,2 kg	98656Mo87	8004815375263
Kit Rail Premium 48 Deep Black	Premium Quick	•	•	101-167 cm	1,2 kg	98656M147	8004815385293

- Standard
- Optional (with Kit Premium S)

**KIT UPGRADE E-BIKE**



Description	Hooking type	Left-Right sliding	Back-Forward sliding	Length A	Weight	Item No.	EAN Code
Kit Upgrade E-Bike	Premium Quick	•	•	128 cm	5,5 kg	98656M137	8004815383190

- Standard
- Optional (with Kit Premium S)

**BIKE-BLOCK PRO S**

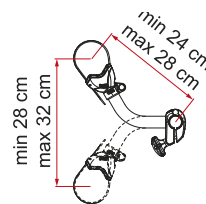


BIKE-BLOCK PRO S 1

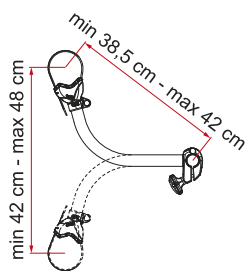
min 12.5 cm - max 17 cm



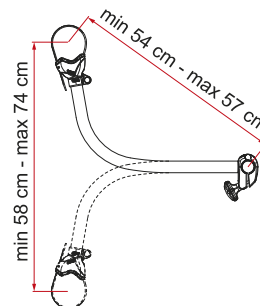
BIKE-BLOCK PRO S 2



BIKE-BLOCK PRO S 3



BIKE-BLOCK PRO S 4



Description	Colour*	Weight	Item No.	EAN Code
Bike-Block Pro S 1	black	0,2 kg	07215-01A	8004815335465
Bike-Block Pro S 2	black	0,3 kg	07215A01A	8004815333287
Bike-Block Pro S 3	black	0,4 kg	07215B01A	8004815335441
Bike-Block Pro S 4	black	0,5 kg	07215C01A	8004815335458

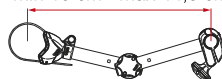
\* plastic details

**BIKE-BLOCK PRO S D**



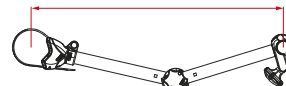
BIKE-BLOCK PRO S D1

min 10 cm - max 44,5 cm



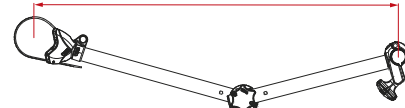
BIKE-BLOCK PRO S D2

min 16 cm - max 63 cm



BIKE-BLOCK PRO S D3

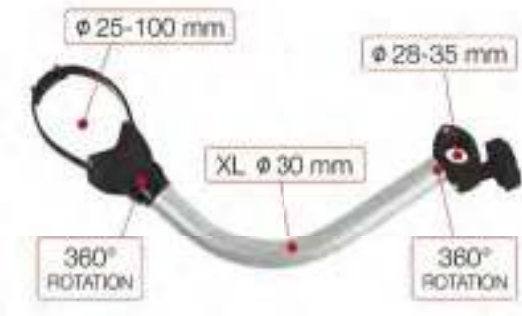
min 26 cm - max 79 cm



Description	Colour*	Weight	Item No.	EAN Code
Bike-Block Pro S D1	black	0,6 kg	07215D01A	8004815336073
Bike-Block Pro S D1 Deep Black	black	0,6 kg	07215G01A	8004815385316
Bike-Block Pro S D2	black	0,7 kg	07215E01A	8004815336080
Bike-Block Pro S D2 Deep Black	black	0,7 kg	07215H01A	8004815385323
Bike-Block Pro S D3	black	0,8 kg	07215F01A	8004815351700
Bike-Block Pro S D3 Deep Black	black	0,8 kg	07215I01A	8004815385347

\* plastic details

**BIKE-BLOCK PRO**



**BIKE-BLOCK PRO 1**

min 12.5 cm - max 17 cm



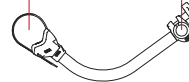
**BIKE-BLOCK PRO 2**

min 24 cm - max 28 cm



**BIKE-BLOCK PRO 3**

min 38,5 cm - max 42 cm



**BIKE-BLOCK PRO 4**

min 54 cm - max 57 cm



Description	Colour*	Weight	Item No.	EAN Code
Bike-Block Pro 1	red	0,2 kg	04133-01-	8004815095505
Bike-Block Pro 1	blue	0,2 kg	04133-01B	8004815130886
Bike-Block Pro 1	black	0,2 kg	04133-01A	8004815130879
Bike-Block Pro 1	grey	0,2 kg	04133-01G	8004815141462
Bike-Block Pro 2	red	0,3 kg	04133A01-	8004815095512
Bike-Block Pro 2	blue	0,3 kg	04133A01B	8004815130909
Bike-Block Pro 2	black	0,3 kg	04133A01A	8004815130893
Bike-Block Pro 2	grey	0,3 kg	04133A01G	8004815145644
Bike-Block Pro 2 - Deep Black	black	0,3 kg	04133A01N	8004815419035
Bike-Block Pro 3	red	0,4 kg	04133C01-	8004815095529
Bike-Block Pro 3	blue	0,4 kg	04133C01B	8004815130923
Bike-Block Pro 3	black	0,4 kg	04133C01A	8004815130916
Bike-Block Pro 3	grey	0,4 kg	04133C01G	8004815145651
Bike-Block Pro 4	red	0,5 kg	04133C01-	8004815095536
Bike-Block Pro 4	blue	0,5 kg	04133C01B	8004815130947
Bike-Block Pro 4	black	0,5 kg	04133C01A	8004815130930
Bike-Block Pro 4	grey	0,5 kg	04133C01G	8004815145668

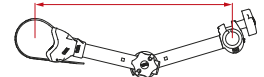
\* plastic details

**BIKE-BLOCK PRO D**



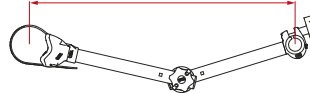
**BIKE-BLOCK PRO D1**

min 10 cm - max 44,5 cm



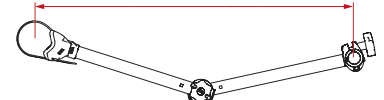
**BIKE-BLOCK PRO D2**

min 16 cm - max 63 cm



**BIKE-BLOCK PRO D3**

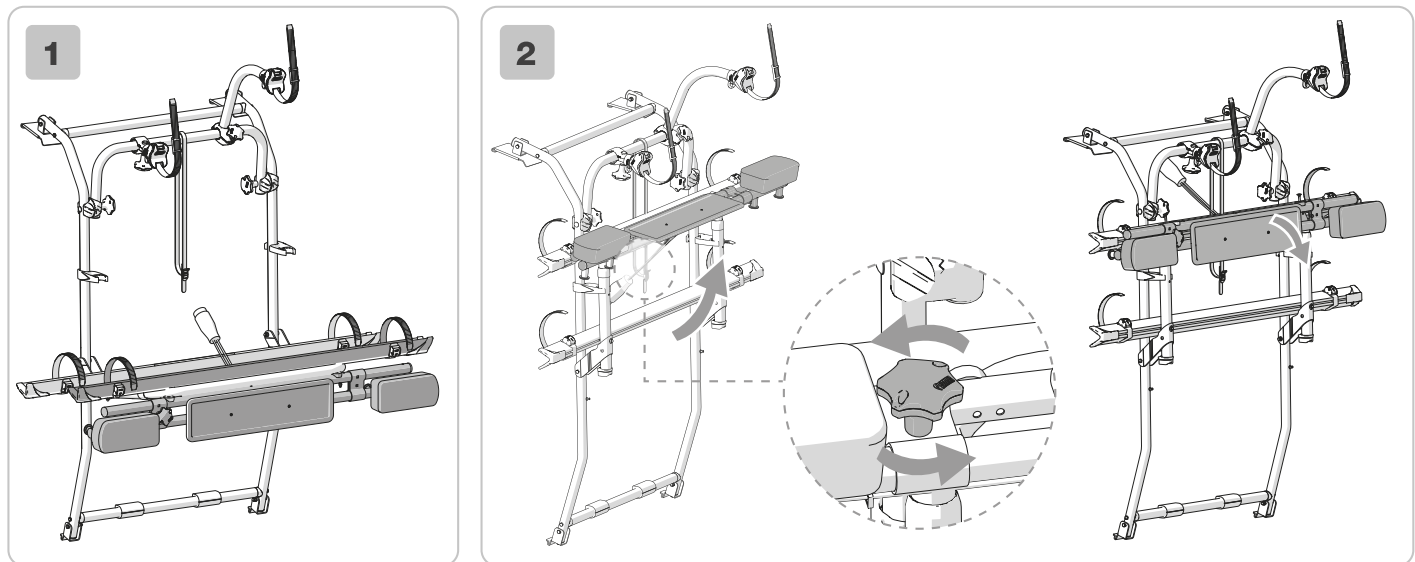
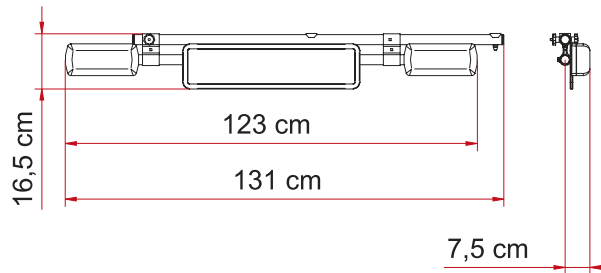
min 19 cm - max 81 cm



Description	Colour*	Weight	Item No.	EAN Code
Bike-Block Pro D1	red	0,6 kg	04133E01-	8004815201920
Bike-Block Pro D1	black	0,6 kg	04133E01A	8004815316174
Bike-Block Pro D2	red	0,7 kg	04133F01-	8004815201937
Bike-Block Pro D2	black	0,7 kg	04133F01A	8004815249311
Bike-Block Pro D3	black	0,8 kg	04133G01A	8004815337926

\* plastic details

**LICENCE PLATE CARRIER**



Description	Weight	Item No.	EAN Code
Licence Plate Carrier	2,4 kg	06146C01-	8004815412678
Licence Plate Carrier Deep Black	2,4 kg	06146C01A	8004815412685

	Item No.	Description	Licence Plate Carrier
Campervan	02094B08A	Carry-Bike VW T6 Pro	•
	02094A08A	Carry-Bike VW T6 Pro - DB	•
	02094-20A	Carry-Bike VW T6	•
	02093E71A	Carry-Bike VW T5 Pro	•
	02094-17A	Carry-Bike VW T5	•
	02094-18A	Carry-Bike VW T4	•
	02093B79A	Carry-Bike VW T5 / T6 D	•
	02094-22A	Carry-Bike VW T4 D	•
	02094-19A	Carry-Bike VW T3 - T25	•
	02093B63A	Carry-Bike VW T2	•
	02094-24A	Carry-Bike VW Caddy	•
	02093B75A	Carry-Bike Mercedes Viano	•
	02093A05A	Carry-Bike Mercedes Vito	•
	02094B14A	Carry-Bike Mercedes V Class Premium	•
	02094A15A	Carry-Bike Mercedes V Class Lift E-Bike	•
	02093B72A	Carry-Bike Opel Vivaro - Renault Trafic	•
	02094B07A	Carry-Bike Ford Custom	•
	02093A60A	Carry-Bike Ford Transit	•
02093B74A	Carry-Bike Renault Trafic D	•	

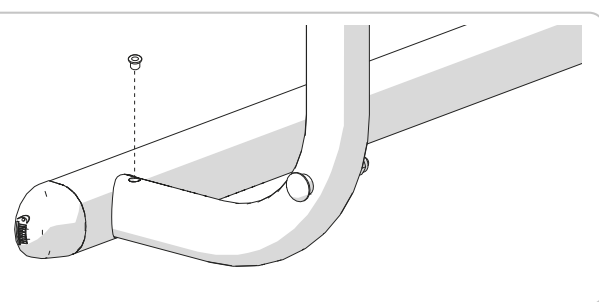
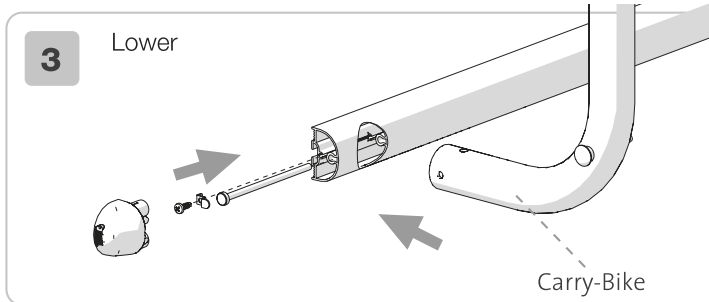
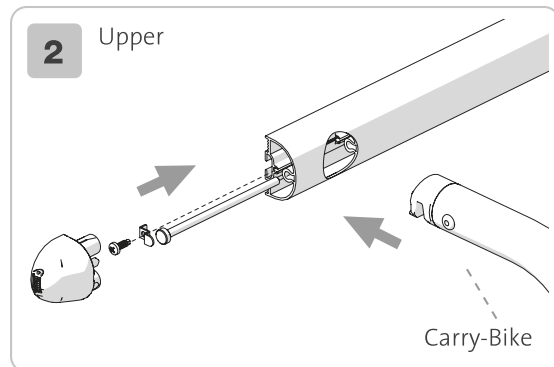
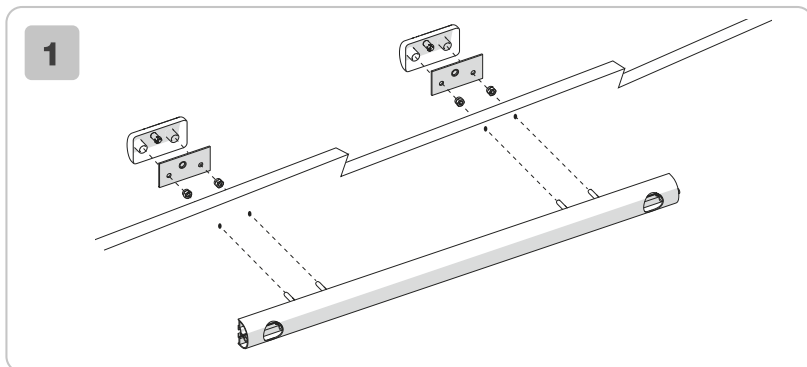
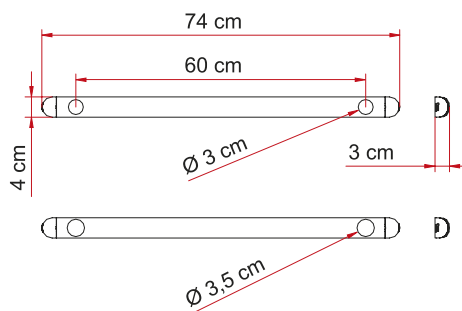
	Item No.	Description	Licence Plate Carrier
Van conversion	02094-33A	Carry-Bike Frame Crafter E-Bike	•
	02094-31A	Carry-Bike Frame Crafter 3 bikes	•
	02094-32A	Carry-Bike Ducato Frame - > 2006	•
	02094A32A	Carry-Bike Ducato Frame - > 2006 -DB	•
	02094-27A	Carry-Bike Ducato Frame E-Bike - > 2006	•
	02094A27A	Carry-Bike Ducato Frame E-Bike - > 2006 - DB	•
	02094-26A	Carry-Bike 200 DJ Ducato - > 2006	•
	02094A26A	Carry-Bike 200 DJ Ducato - > 2006 -DB	•
	02093A65A	Carry-Bike 200 DJ Ducato - < 2006	•
	02093B93A	Carry-Bike 200 DJ Sprinter - > 2006	•
	02093A15A	Carry-Bike 200 D	•
SUV	02093A38-	Carry-Bike Backpack	
	02093B38-	Carry-Bike Backpack 4x4	

• Standard • Optional

**KIT SUPPORT BAR**

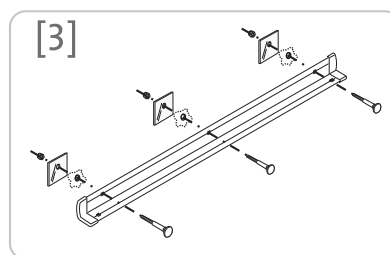
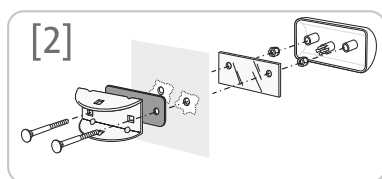
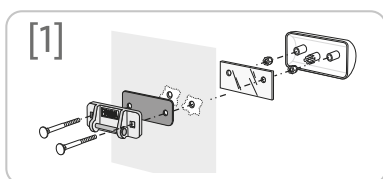


Recommended for all Carry-Bikes carrying 4 bicycles



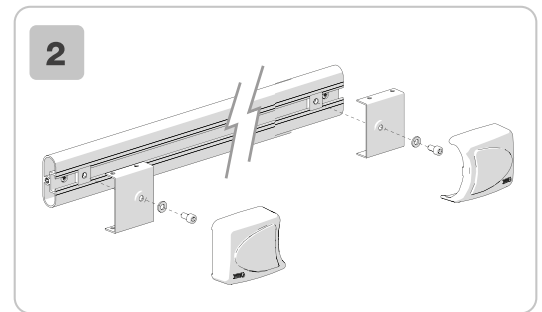
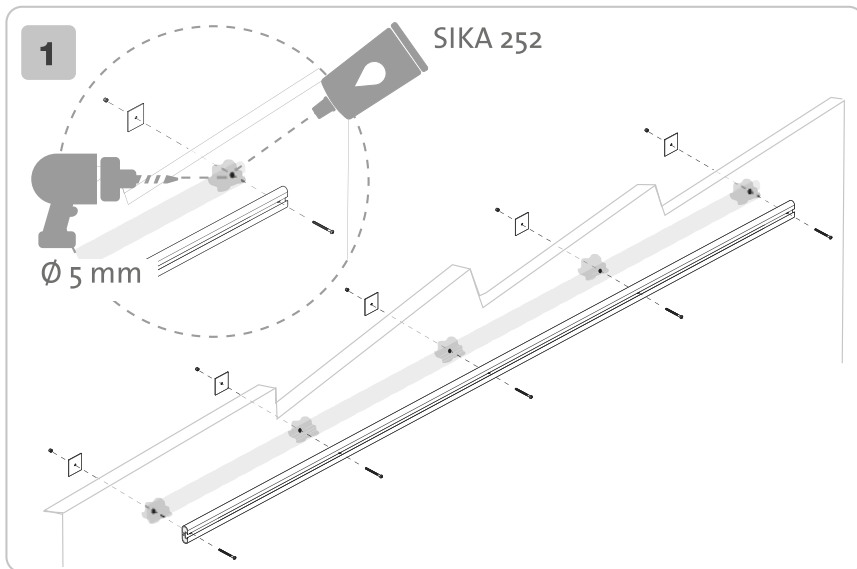
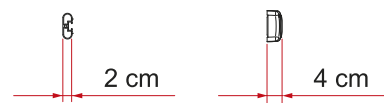
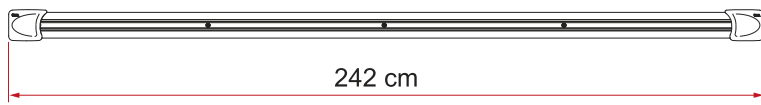
Description	Weight	Item No.	EAN Code
Kit Support Bar	1,2 kg	98656-682	8004815283483

Mounting system	Thule Excellent	Thule Elite G2	Thule Sport G2	Thule Essential	Thule Esse4	Fiamma Pro / Pro C	Fiamma UL / CL
[1] Upper brackets Fiamma	•	•	•	•	•	•***	•***
[2] Lower brackets Fiamma	•*	•*	•	•	•**	•	•
[3] Lower Rail Fiamma	•*	•*	•	•	•**	•	•
Kit Support Bar	•	•	•	•	•	•***	•



- Suitable
- \*with Kit 307338
- \*\*adapter delivered as standard
- \*\*\*delivered as standard

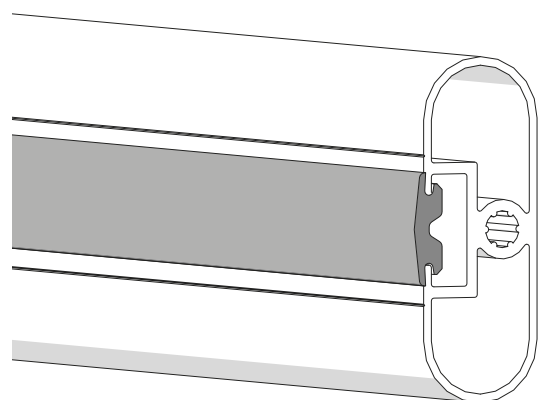
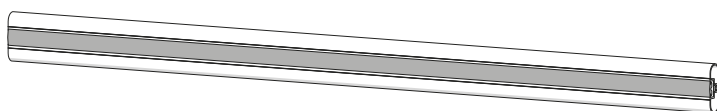
**FIXING BAR CARRY-BIKE**



Description	Weight	Item No.	EAN Code
Fixing-Bar Carry-Bike	5,5 kg	98656-474	8004815145064

**DUST GUARD**

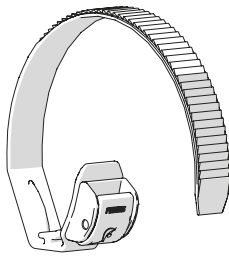
Rubber guard for Fixing-Bar, Carry-Bike and Deluxe ladders. Length: 240cm.



Description	Weight	Item No.	EAN Code
Dust Guard	0,3 kg	07752-01-	8004815367411



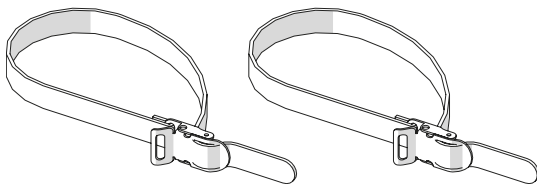
**QUICK SAFE**



- 1x sliding safety lock system, it grants a quick and safe locking of the wheel to the rail

Description	Weight	Item No.	EAN Code
Quick Safe	0,1 kg	98656-386	8004815100230

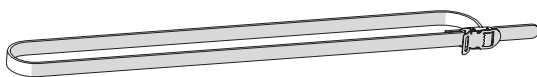
**STRIP**



- 2x original Strips, length 39cm, width 1,3cm.

Description	Weight	Item No.	EAN Code
Strip Red	0,1 kg	98656-320	8004815073787
Strip Black	0,1 kg	98656-318	8004815073770

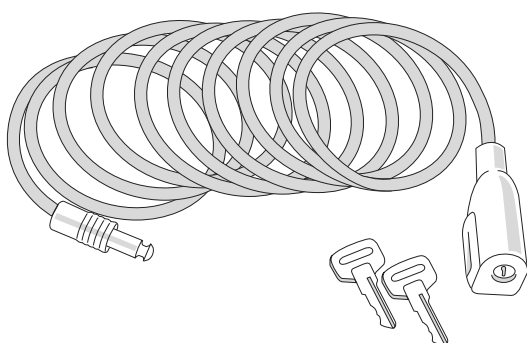
**SECURITY STRIP**



- 1x original Strip, length 200cm, width 1,3 cm

Description	Weight	Item No.	EAN Code
Security Strip	0,1 kg	98656-419	8004815221324

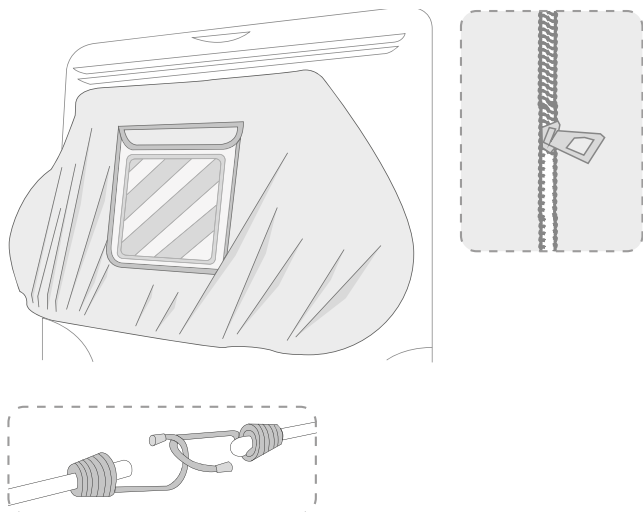
**CABLE-LOCK**



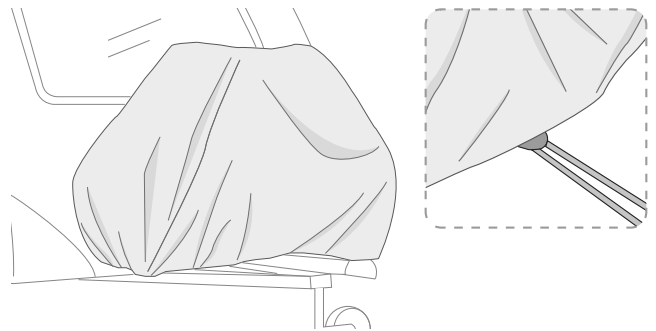
- 1x anti-theft cable made of black plastic-coated steel with incorporated padlock, length 250cm
- 2x keys

Description	Weight	Item No.	EAN Code
Cable-Lock	1,0 kg	98656-338	8004815076757

**BIKE COVER S / PREMIUM S**



**BIKE COVER CARAVAN**



Description	Bikes covered	Vehicle type	Closing system	Weight	Item No.	EAN Code
Bike Cover S (2/3 bici)*	2-3	Motorhome	Elastic band with hooks	0,9 kg	08208-01-	8004815404062
Bike Cover S (4 bici)*	4	Motorhome	Elastic band with hooks	1,0 kg	08208A01-	8004815404079
Bike Cover Premium S*	4	Motorhome	Zippers	0,9 kg	08208B01-	8004815404086
Bike Cover Caravan	2	Caravan	Elastic band with hooks	0,8 kg	08208C01-	8004815404093

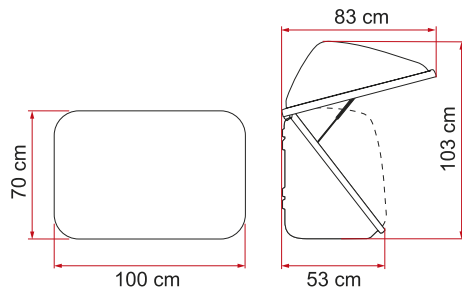
\* Not suitable for bike racks where the bikes are exposed over the top of the roof  
 Not suitable for Carry-Bike for Van conversions and Camper vans

	Item No.	Description	Bike Cover S (2/3 bikes)	Bike Cover S (4 bikes)	Bike Cover Premium S (4 bikes)	Bike Cover Caravan
Motorhome	02094-09A	Carry-Bike PRO	•	•	•	
	02094-11A	Carry-Bike PRO M	•	•	•	
	02094-10A	Carry-Bike PRO C	•	•	•	
	02094B12A	Carry-Bike PRO E-Bike	•	•	•	
	02094B13A	Carry-Bike PRO C E-Bike	•	•	•	
	02093B86A	Carry-Bike UL	•			
	02093B87A	Carry-Bike CL	•			
	02093F43A	Carry-Bike LIFT 77	•	•	•	
	02093E43A	Carry-Bike LIFT 77 E-Bike	•	•	•	
	02093A64B	Carry-Bike PRO Hymer - Dethleffs	•	•	•	
	02093A98A	Carry-Bike Autotrail	•			
	02093B59A	Carry-Bike Pro C L80	•	•	•	
	02093A29A	Carry-Bike PRO C Knaus - Eiffelland	•	•	•	
02093A57A	Carry-Bike Trigano - CI - Roller Team	•				
Caravan	02094-23A	Carry-Bike Caravan XL A				•
	02093B91A	Carry-Bike Caravan XL A Pro				•
	02093F32A	Carry-Bike Caravan XL A Pro 200				•
	02093E32A	Carry-Bike Caravan XL A Pro 200 E-Bike				•
	02094-05A	Carry-Bike Caravan Active				•
	02094A06A	Carry-Bike Caravan Active E-Bike				•
	02093A77A	Carry-Bike Caravan Hobby	•			
	02093A76A	Carry-Bike Caravan Universal	•			
	02093A36A	Carry-Bike Simple Plus 200	•			

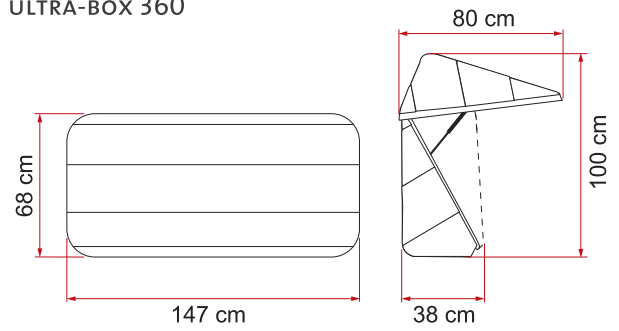
• Suitable

**ULTRA-BOX**

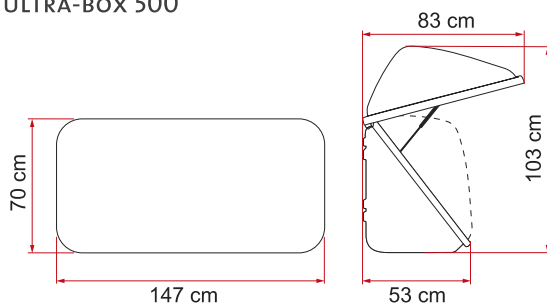
ULTRA-BOX 320



ULTRA-BOX 360



ULTRA-BOX 500



Description	Item No.	Ultra-Box 320	Ultra-Box 360	Ultra-Box 500
Pro	02094-09A	•	•	•
	02094-09B	•	•	•
Pro N	02094-09V	•	•	•
Pro M	02094-11A	•	•	•
	02094-11B	•	•	•
Pro M N	02094-11V	•	•	•
Pro C	02094-10A	•	•	•
	02094-10B	•	•	•
Pro C N	02094-10V	•	•	•
Pro E-Bike	02094B12A	•		•
Pro C E-Bike	02094B13A	•		•
UL	02093B86A	•	•	•
	02093B86B	•	•	•
	02093B86G	•	•	•

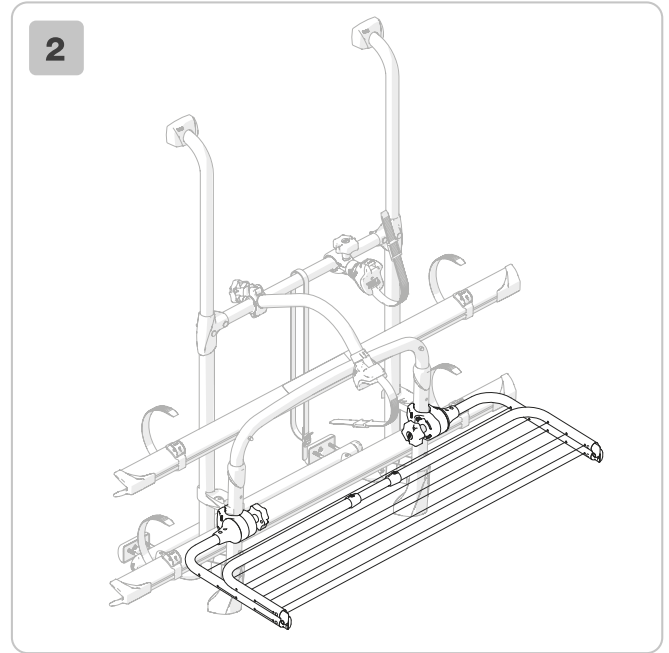
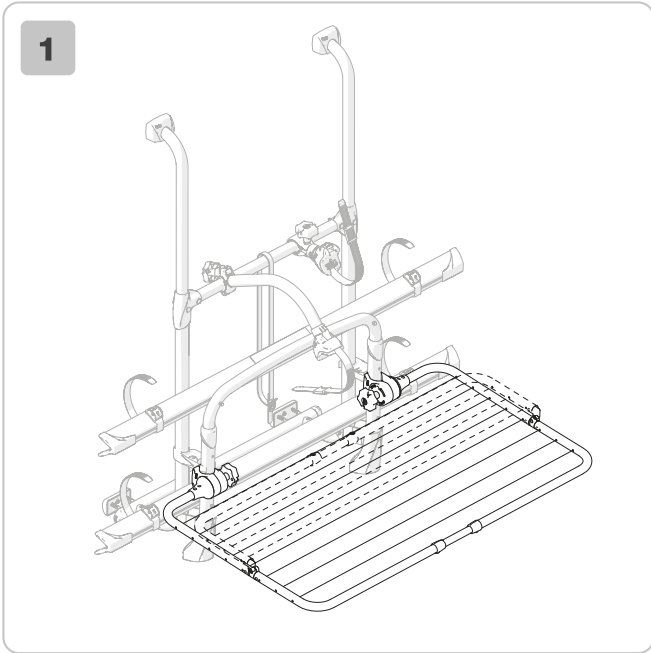
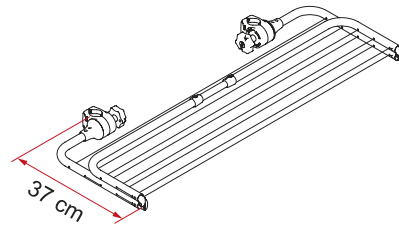
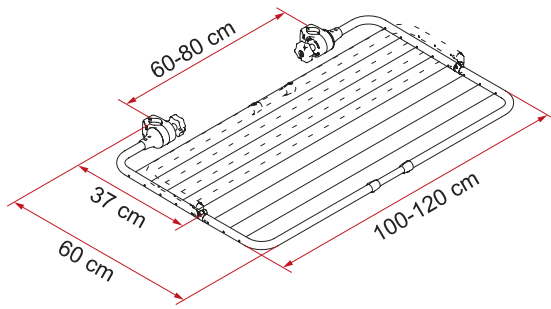
Description	Item No.	Ultra-Box 320	Ultra-Box 360	Ultra-Box 500
CL	02093B87A	•	•	•
	02093B87B	•	•	•
	02093B87G	•	•	•
Lift 77	02093F43A	•	•	•
	02093F43B	•	•	•
Lift 77 E-Bike	02093E43A	•		•
Pro Hymer Dethleffs	02093A64B	•	•	•
Pro C L80	02093B59A		•	•
Pro Autotrail	02093B98A			
Trigano - CI - Roller Team	02093A57A	•	•	•

• Suitable

Description	Volume	External dimensions	Internal dimensions	Weight	Item No.	EAN Code
Ultra-Box 320	320 l	100x53x70 cm	88,5x46x62 cm	12 kg	04147-01-	8004815097264
Ultra-Box 360	360 l	147x38x70 cm	133,5x30x58 cm	14 kg	02801-01-	8004815040314
Ultra-Box 500	500 l	147x53x70 cm	133,5x46x62 cm	17 kg	04148-01-	8004815097271

Not suitable for Carry-Bike with offset rails

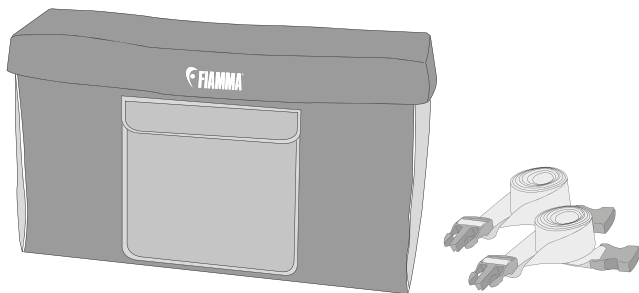
**EASY DRY**



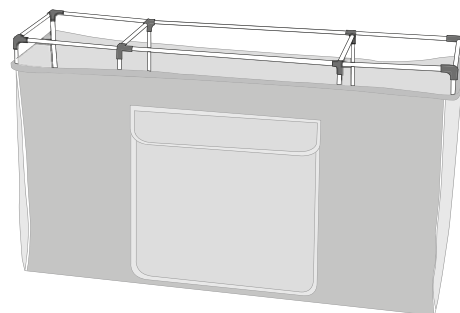
Description	Dimensions	Weight	Item No.	EAN Code
Easy Dry	100x60 cm	1,2 kg	06306-01-	8004815282066

**CARGO BACK - KIT FRAME CARGO BACK**

CARGO BACK



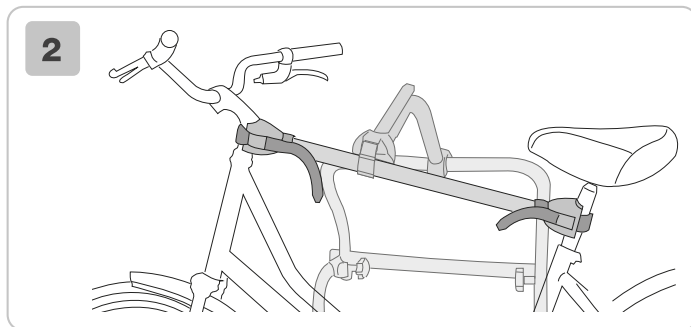
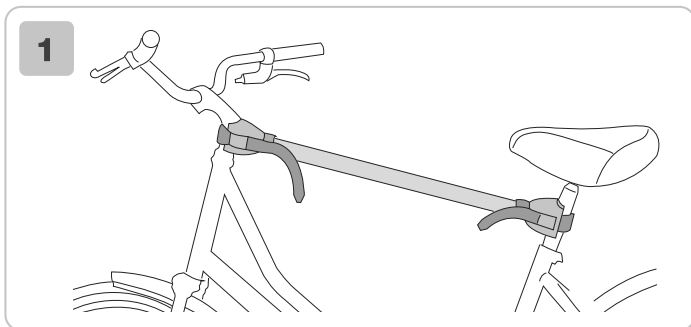
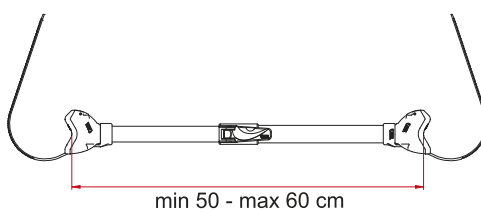
KIT FRAME CARGO BACK



Description	Volume	Dimensions	Weight	Item No.	EAN Code
Cargo Back*	285 l	120x70x35 cm	1,4 kg	08205-01-	8004815403966
Kit Frame Cargo Back	-	119x69x32 cm	1,2 kg	06106-01-	8004815269616

\*Not suitable for Carry-Bike with offset rails

**BIKE FRAME ADAPTER**



Description	Weight	Item No.	EAN Code
Bike-Frame Adapter	0,5 kg	06602-01-	8004815298258

## PRELIMINARY CHECKS



- Before proceeding with assembly, check that the roof thickness is compatible with the product and that the installation area concerned is correctly clean (use specific products and avoid alcohol-based products)
- Before choosing the place where to assembly the rooflight, check that:
  - the product doesn't interfere with adjacent Accessories (luggage racks, cables, reinforcements in the roof, cabinets inside the passenger compartment);
  - the internal and external surface of the roof is flat.

### ADAPTABILITY OF VEHICLES



## MAINTENANCE INSTRUCTIONS



- Only use sealants that are suitable for the materials concerned
- If not included, use round head cylindrical screws to avoid damaging the screw seats
- Periodically check the tightness of all the screws in the rooflight, especially after the first kms from the installation and each time before and after long journeys. Lubricate the lid opening device with a few drops of grease if it becomes hard. If the opening-closing device hardens, lubricate the lid opening device with a few drops of grease. It is forbidden to walk on the product's cover.
- Before starting the vehicle, check that the rooflight is properly closed. Periodically check that the cover is intact. Don't open the rooflight when the vehicle is travelling. Don't open the rooflight in case of strong wind or rain. Remove snow or ice from the rooflight. The maximum permitted speed of the vehicle with a mounted rooflight is 130Km/h. Always comply with speed limits and the Highway Code. The speed should always be suitable to traffic conditions and towed load.
- For the internal and external cleaning of the rooflight, always use only neutral, non-aggressive detergents. For cleaning the Crystal cover use an acrylic glass cleaner with a soft cloth so as not to scratch the surface. Never use aggressive products such as glass cleaners, all-purpose cleaners, abrasives or dish-washing detergents. Also, never use alcohol-containing detergents, solvents or any corrosive liquid. The mosquito net can be cleaned with water and a neutral detergent.

### CLEANING



### USE AND MAINTENANCE



	ROOFLIGHT with FAN		FAN				ROOFLIGHT without FAN			
	TURBO-VENT	TURBO-VENT PREMIUM	TURBO-KIT	KIT TURBO-VENT F	KIT TURBO-VENT 28 F	VENT F	VENT	VENT 28 F	VENT 50	
Dimensions	40x40 cm	40x40 cm				40x40 cm	40x40 cm	28x28 cm	50x50 cm	
Feeding Tension	12 V	12 V	12 V	12 V	12 V		---	---	---	
Absorbed Power	36 W	36 W	4 W	36 W	25 W		---	---	---	
Min. electric Input	0,3 A / 0,2 A	0,3 A / 0,2 A	0,2 A	0,3 A			---	---	---	
Max electric Input	3 A	3 A	0,33 A	3 A	1,9 A		---	---	---	
Max Air Flow	35m <sup>3</sup> /min	35m <sup>3</sup> /min	7,2m <sup>3</sup> /min	35m <sup>3</sup> /min	9 m <sup>3</sup> /min					
Fan Diameter	300 mm	300 mm	240 mm	300 mm	180 mm		---	---	---	
Permanent Air Flow	80 cm <sup>2</sup>	80 cm <sup>2</sup>	---	---	50 cm <sup>2</sup>	100cm <sup>2</sup>	80 cm <sup>2</sup>	80 cm <sup>2</sup>	150 cm <sup>2</sup>	
Certificates			---							
	E11 43R-01 0719	E11 43R-01 0719	---	---	---	E11 43R-01 0719				
Weight	4,6 kg	4,6 kg	1,3 kg	2 kg	0,5 kg	4,7 kg	2,8 kg	1,8 kg	4,6 kg	
Thermostat	•	•		• (Not for P3 version)						
Fan Speed	Variable	Variable	2	Variable	1					
Rollo-Vent	•	•					•			
Spoiler Universal	•	•				•	•	•	•	
Thermo-Vent 40	•	•					•			

Characteristics

Accessories

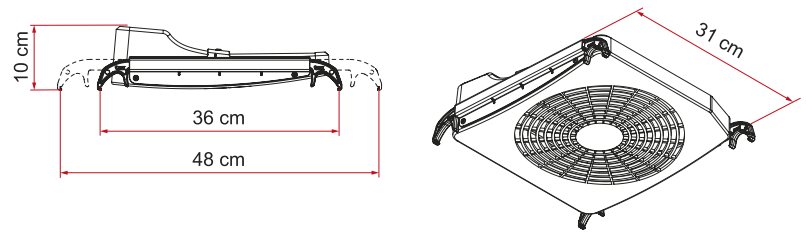
• Standard • Optional



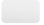
# Turbo Kit

## GENERAL INFORMATION


- Additional fan with width adjustable from 36 to 48cm
- Materials: ABS
- Suitable for: Fiamma Vent 50, Omni-Vent, RemiTop 400, Seitz Mini Heki (not on "Plus" version), Seitz Midi Hek



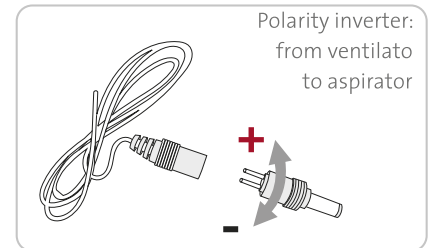
### FINISHES:

  Ivory and Grey

### COMPLETE WITH:


- 1x supply for cigarette lighter socket
- 1x 12V  power supply cable for the motorhome's electric supply

## CONNECTION

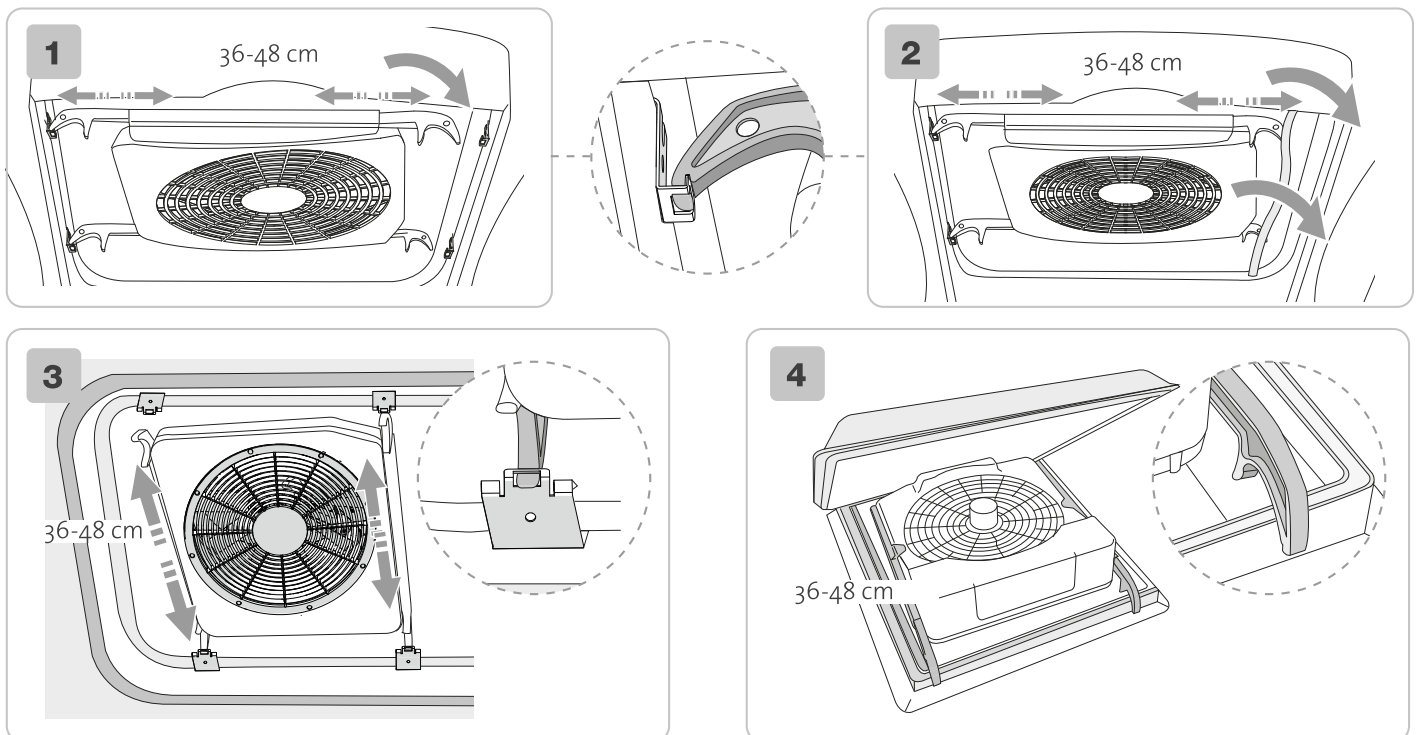


## TECHNICAL FEATURES

- Preset to work with batteries (8 x 1.5VD not supplied)
- Telescopic hanging system
- Can be installed on all rooflights from 40x40cm (not Fiamma) to 50x70cm

Turbo-Kit	
Feeding tension:	12 V 
Absorbed power	4 W
Min. electric input:	0,20 A
Max electric input:	0,33 A
Max air flow:	7,2 m <sup>3</sup> /min
Fan diameter:	240mm

## MOUNTING OPTIONS



Installation



Description	Weight	Item No.	EAN code
Turbo-Kit	1,3 kg	98683-059	8004815249625





# Vent F Pro

## GENERAL INFORMATION

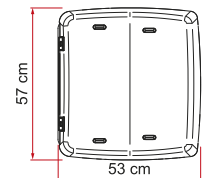
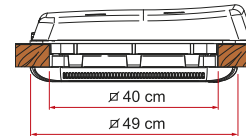
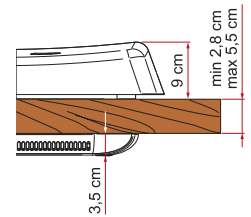
- Motorisable rooflight (40x40cm)
- Materials:
  - Cover: PC (Crystal)
  - Inner frame / external frame: ASA (Ivory)
  - Mosquito frame: GF

### COVER FINISHES:

Crystal

### INNER FRAME:

Ivory



## TECHNICAL FEATURES

- The aerodynamic shape does not require the use of the spoiler
- Sandwich assembly: quick installation without needing to cut more holes in the roof of your vehicle
- Removable mosquito screen and pleated blind
- Double opening arms for maximum cover stability
- Suitable for roof with thickness from 28 to 55mm

## PLEATED BLIND



Description	Weight	Item No.	EAN code
Vent F Pro	4,7 kg	07380-01-	8004815340599
Kit Turbo-Vent F Premium	2,0 kg	07501-01-	8004815349097
Kit Turbo-Vent F	2,0 kg	07501A01-	8004815350970
Kit Turbo-Vent F P3	2,0 kg	07501B01-	8004815350987

## TECHNICAL FAULT

Problem	Cause	Solution
The rooflight cover does not close	Presence of dirt between the cover and frame or in the cable rail	Remove any leaves and twigs
The roller blind cannot be moved	Excessive friction between guide and handle profile	Light lubricate the guide with silicone spray

Technical features	Vent F Pro
Dimensions	40x40 cm
Outside dimensions	56,6x53,1x9,2 cm
Internal dimensions	49x48,6x3,5 cm
Inside light	34,4x34,4 cm
Roof thickness (min - max)	2,8 - 5,5 cm
Permanent air flow	100 cm2

## KIT TURBO:



Installation ONLY  
on Vent F Pro

Kit Turbo Vent F Premium



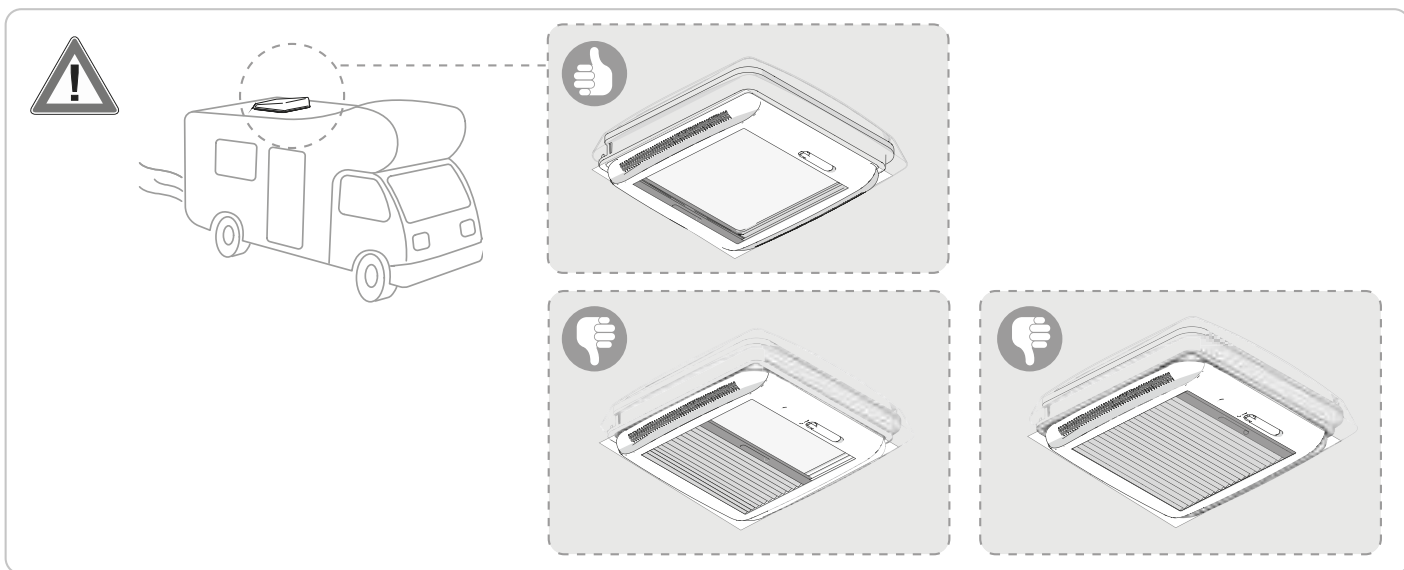
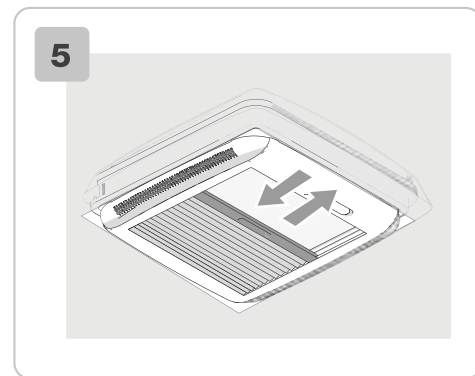
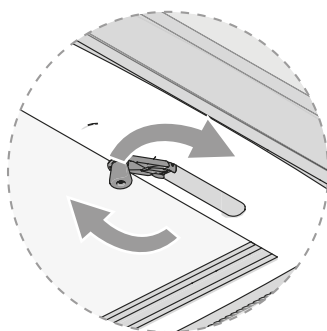
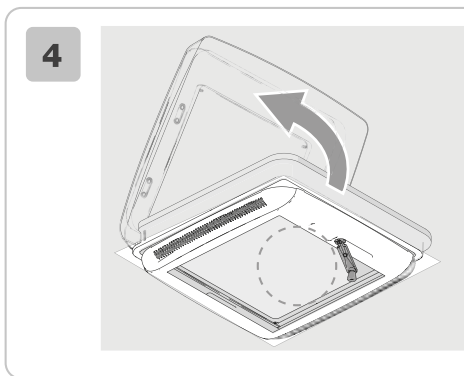
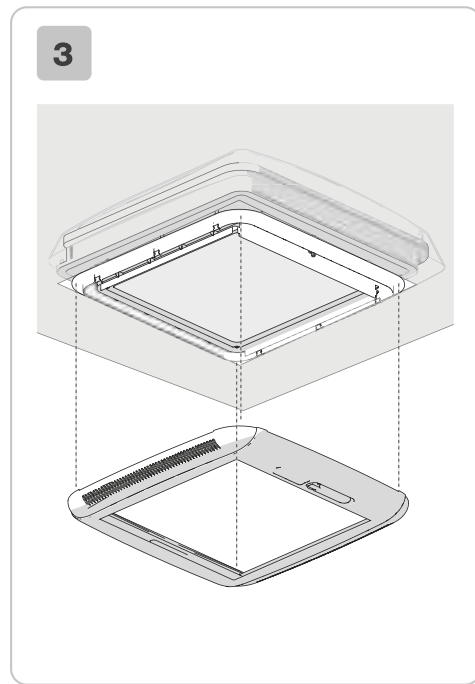
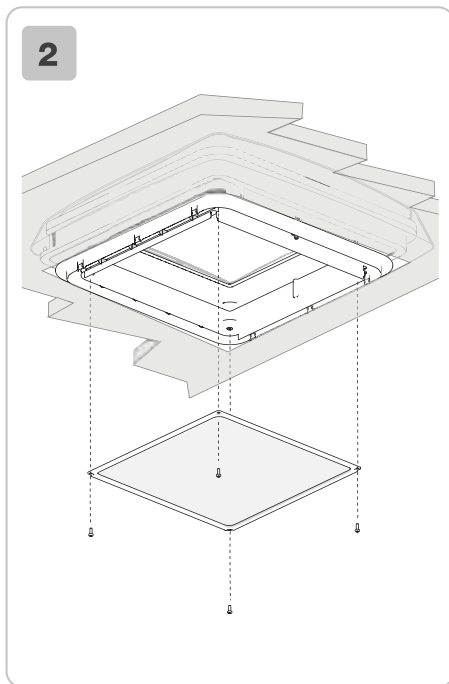
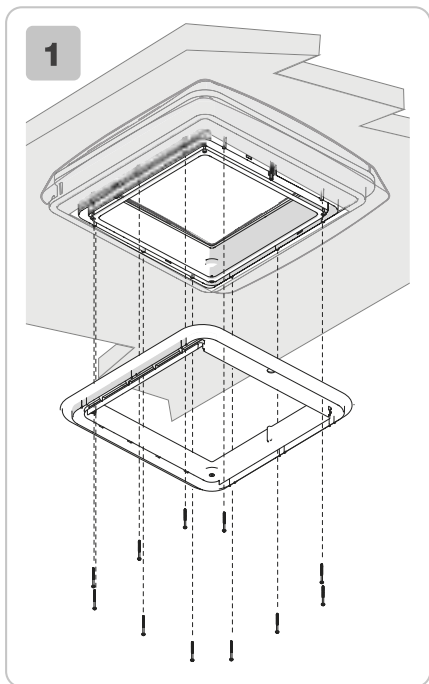
Kit Turbo Vent-F



Kit Turbo Vent-F P3



**E11** 43R-01 7019



**+** ACCESSORIES

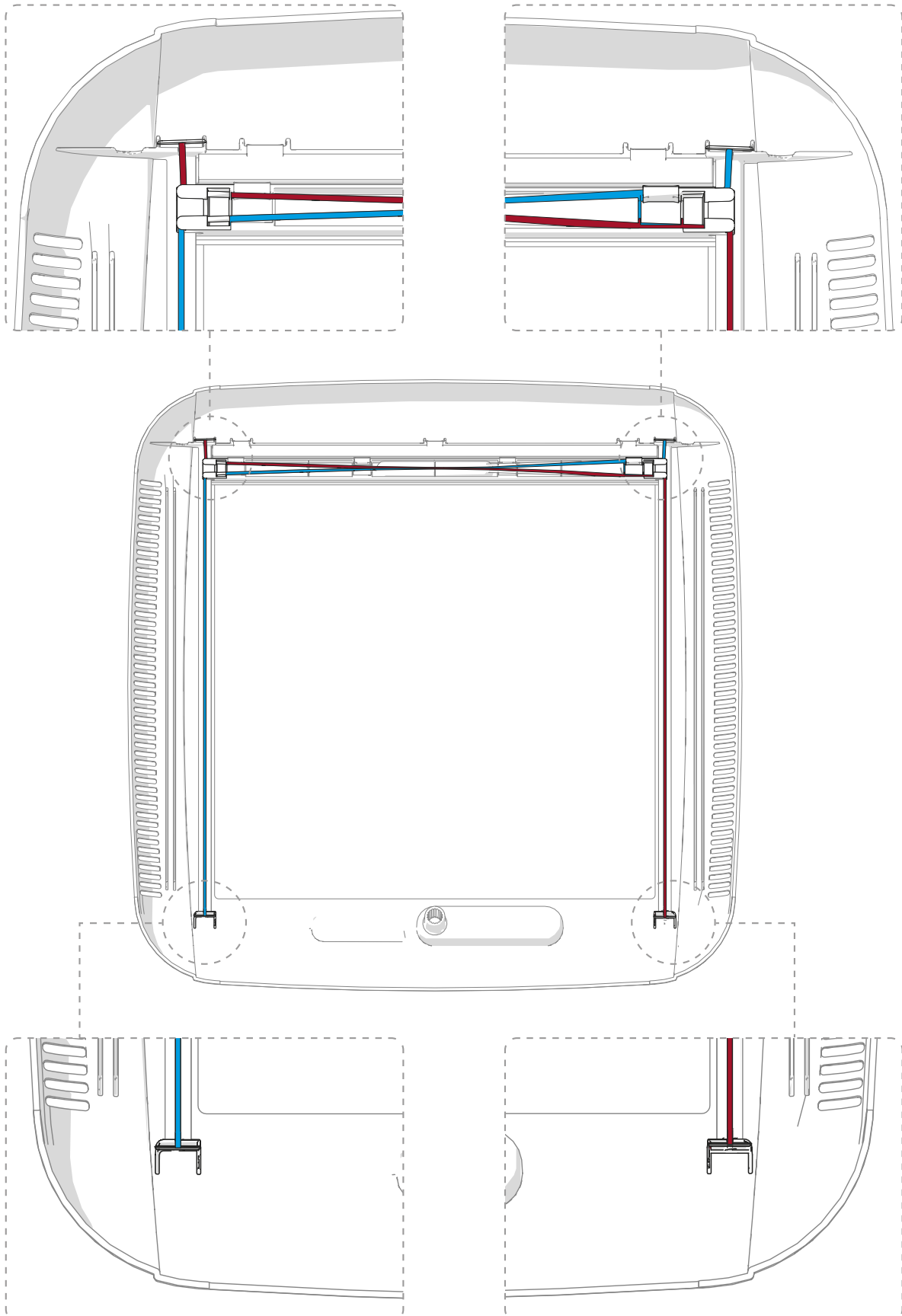
- Kit Turbo Vent Premium
- Kit Turbo Vent F
- Kit Turbo Vent F P3
- Spoiler 40
- Spoiler Universal

Installation



## GUIDE LANYARD OF THE ROLLER BLIND.

Repositioning of the guide lanyards in case of moving from its seat, after any product maintenance.



# Kit Turbo Vent F

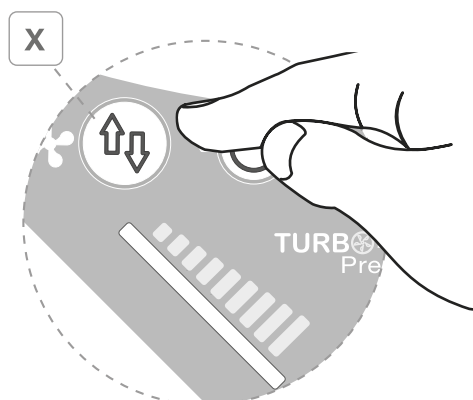
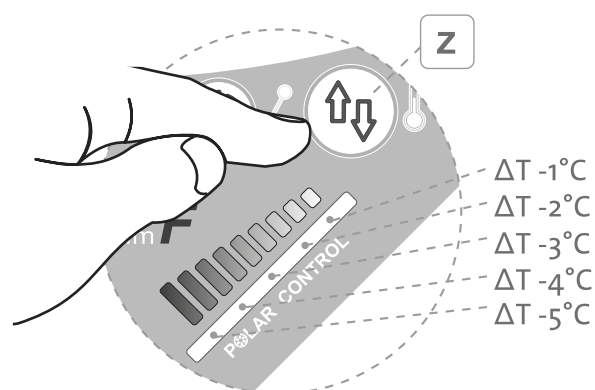
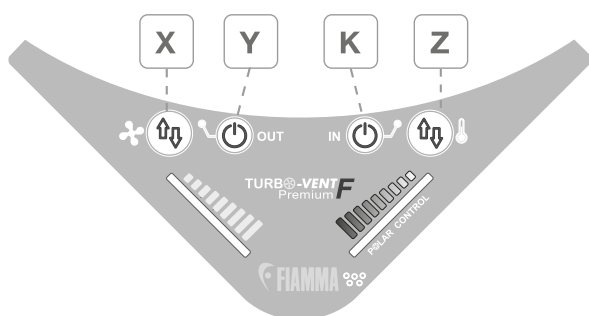
## GENERAL INFORMATION

Three models available:

- Kit Turbo-Vent F Premium; delivered as standard with “Touch” control and Thermostat Polar Control
- Kit Turbo-Vent F; standard version with Thermostat Polar Control
- Kit Turbo-Vent F P3; basic version without Polar Control

Technical features	Values
Nominal supply voltage	12 V
Tension tolerance	+/- 30%
Min. feeding tension	8 V
Maximum supply voltage	16 V
Power of nominal supply	36 W
Auto-resettable Fuse	—
Current protection intervention	5 A
Wire section	17 AWG – 1 mm
Min. electric input	0,3 A +/- 10%
Max. electric input	3 A +/- 10%
Operating temperature	-10°C / +70°C
Storage temperature	-20°C / +80°C

## KIT TURBO VENT F PREMIUM



### ENERGY CONSERVATION:

the LED brightness decreases after not using the keyboard for 5 minutes.

- (X) Regulation fan speed
- (Y) Switching on and off air outlet fan
- (K) Switching on and off air inlet fan
- (Z) Polar Control function

### POLAR CONTROL (Z)

The Polar Control function enables the automatic switching on and off of the fan according to set value and the room temperature.

The room temperature will be displayed by switching on the Polar Control function; by adjusting the key and the requested  $\Delta T$ , the fan will rotate until reaching the temperature set value.

The switching on and off of the the Polar Control causes the RESET of the displayed room temperature.

To limit the consumption of energy, we recommend to set the Polar Control to the minimum  $\Delta T$ -1°C once reached a comfortable room temperature.

Notes: the cooling capacity of the fan depends on the difference between outdoor temperature and the room temperature.

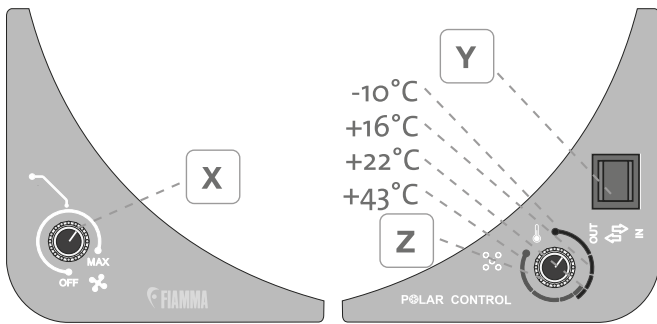
$\Delta T$  = difference between the room temperature and the required temperature.

### FAN REGULATION (X)

Press the icon and keep it pressed till the requested speed. Slide the LED bar from min. to max. and vice versa, then release the button for a new regulation.



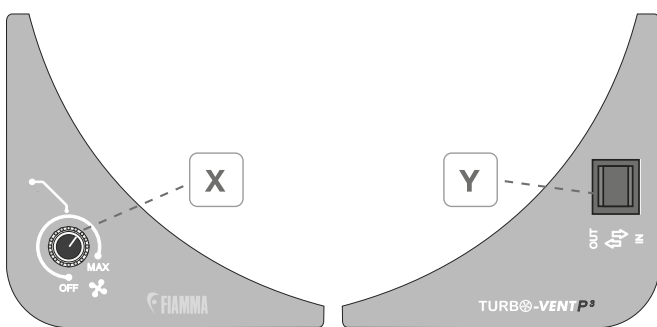
## KIT TURBO VENT F



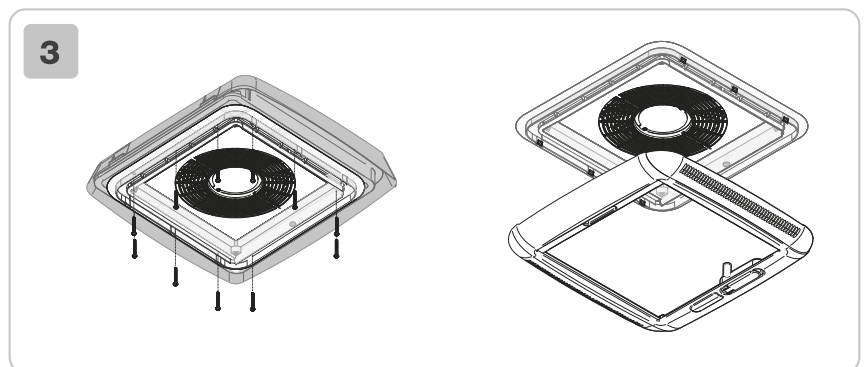
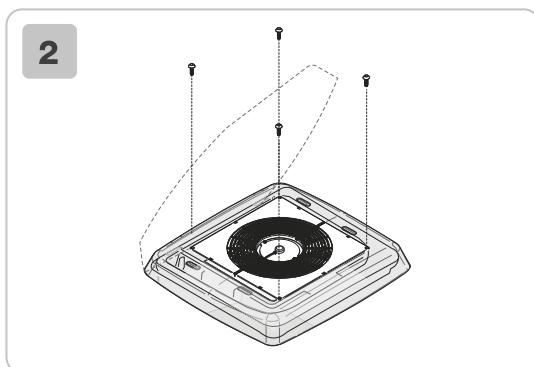
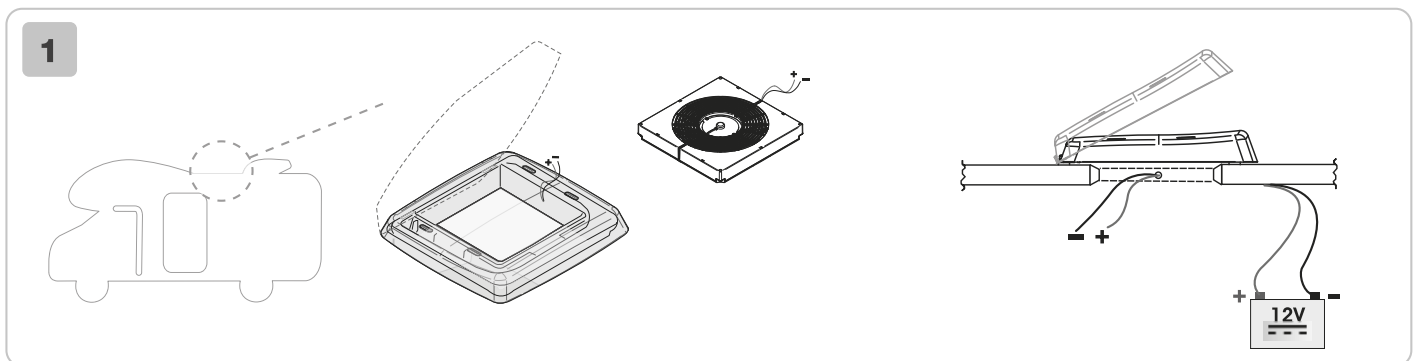
- (X) Regulation fan speed
- (Y) Inversion of the sense of rotation of the fan
- (Z) Polar Control function

The Polar Control function enables the automatic switching on and off of the fan according to set value and the room temperature. Rotating the knob the approximate required temperature is set.

## KIT TURBO VENT F P3



- (X) Regulation fan speed
- (Y) Inversion of the sense of rotation of the fan



Installation

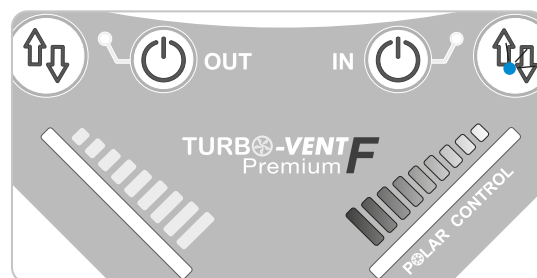




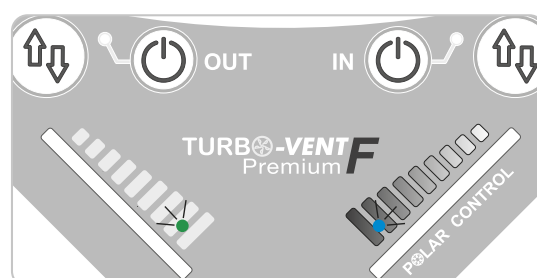
## KIT TURBO VENT F - TECHNICAL FAULT

### KIT TURBO VENT F PREMIUM

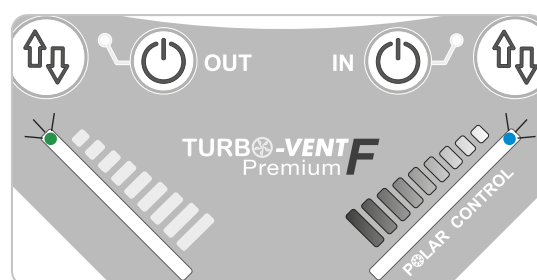
Problem	Cause	Solution
Polar Control doesn't work	The temperature sensor is broken. Room temperature <-10°C Room temperature >+70°C All ventilation functions are operational	Contact Fiamma service department



Problem	Cause	Solution
The fan doesn't rotate and the LEDs are flashing	Voltage-Power pack > 16 V === The system functions are deactivated to preserve the product.	Check the feeding tension and turn it back 12 V ===



Problem	Cause	Solution
The fan doesn't rotate	Tension - Feeding tension < 8V === The product functions are deactivated to preserve the product	Charge the battery
The fan doesn't rotate	Motor disconnected The product functions are deactivated to preserve the product	Connect the motor



### KIT TURBO VENT F - KIT TURBO VENT F P3

Problem	Cause	Solution
The fan doesn't rotate	Power voltage is less than 10 V ===	Charge the battery, check that the voltage is 12 V ===
	The cables are incorrectly connected	Check that connections correspond to wiring diagram and connect the cables correctly*
	Foreign bodies are blocking the blade	Remove any obstructions from the blade*
	Power failure	Check and restore the fuses in the main control panel*
	Thermostat has intervened	Lower the intervention point of thermostat
	The room temperature is under -10°C	Raise the room temperature at a degree over the -10°C
	None of the above causes	Contact your Fiamma Service Centre
The fan rotates without ventilating the inside of the vehicle	Deviator in exhaust position	Set the deviator to ventilation mode

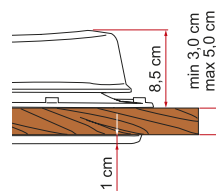
\*Ensure that the power supply has been disconnected before carrying out any kind of operation, then reconnect.



# Vent

## GENERAL INFORMATION

- Rooflight (40x40cm)
- Materials:
  - Cover: PP (White) - PC (Crystal)
  - External frame: PP
  - Inner frame: PP

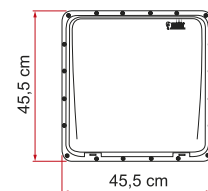
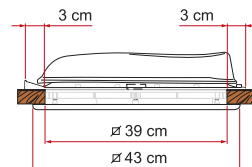


### COVER FINISHES:

- White
- Crystal

### INNER FRAME:

- Ivory



## TECHNICAL FEATURES

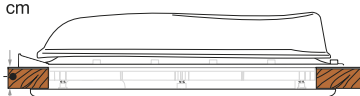
- The aerodynamic shape does not require the use of the spoiler
- Permanent ventilation
- Equipped with aluminium mosquito

### STANDARD

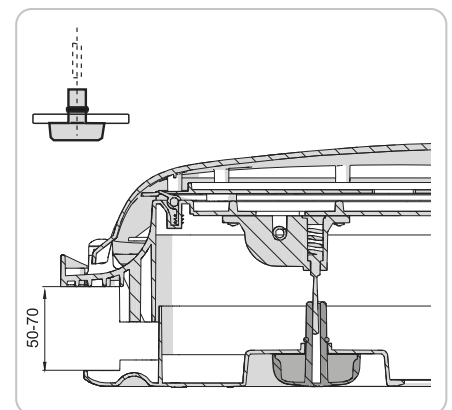
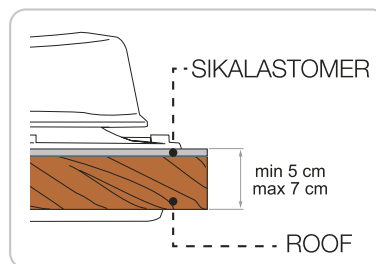
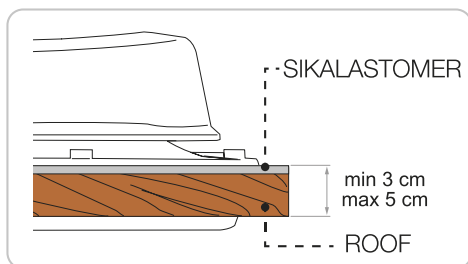
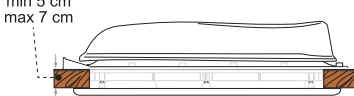
Roof from 50 to 70 mm

Kit Extension Item No. 98683-116

min 3 cm  
max 5 cm



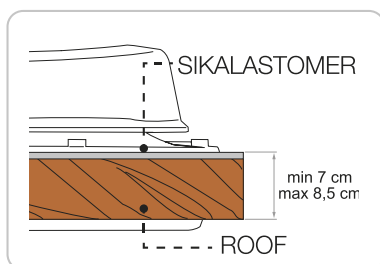
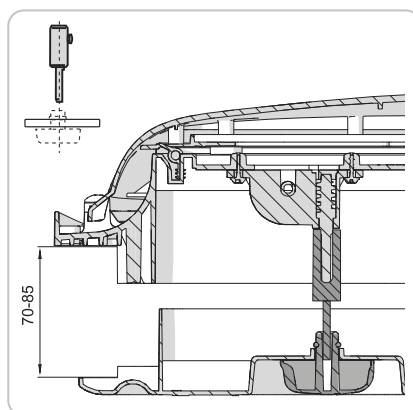
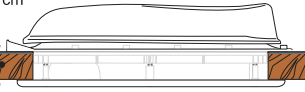
min 5 cm  
max 7 cm



Roof from 70 to 85 mm

Kit Extension Item No. 98683-116

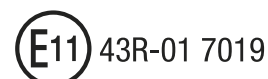
min 7 cm  
max 8,5 cm



Description	Weight	Item No.	EAN code
Vent White	2,8 kg	04328B01-	8004815234560
Vent Crystal	2,8 kg	04328B01D	8004815234553

### ACCESSORIES

- Thermo Vent 40
- Rollo Vent 40x40
- Spoiler 40
- Kit extension
- Extension Vent Ivory
- Spoiler Universal



Installation







# Turbo Vent

## GENERAL INFORMATION

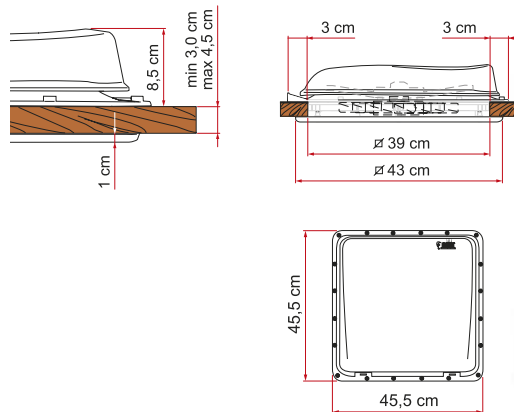
- Rooflight with fan (40x40cm)
- Materials:
  - Cover: PP (White) - PC (Crystal)
  - External frame: PP
  - Inner frame: PS - HI

### COVER FINISHES:

- White
- Crystal

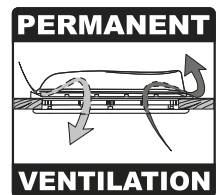
### INNER FRAME:

- Ivory

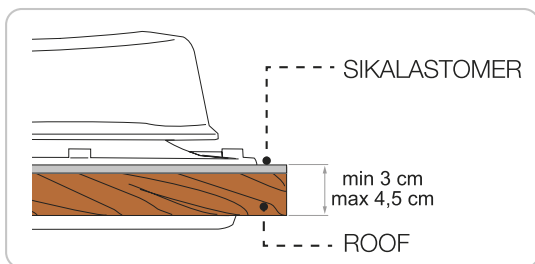
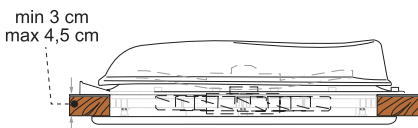


## TECHNICAL FEATURES

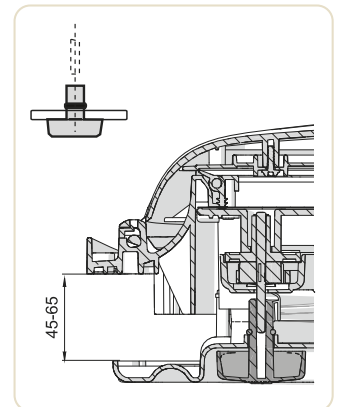
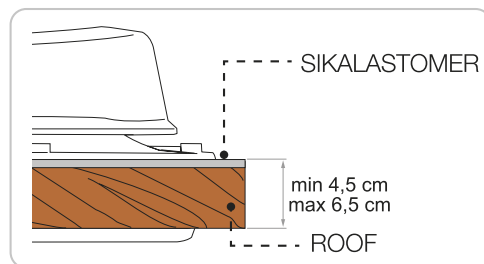
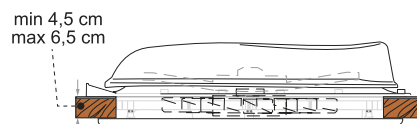
- The aerodynamic shape does not require the use of the spoiler
- Crystal Central fan 10 blades and 12V  $\equiv$  with adjustable speed
- Transparent and strong internal grid that guarantee more light
- To adapt it to the 36x36cm roof hole it is necessary to cut the corners on the inner frame



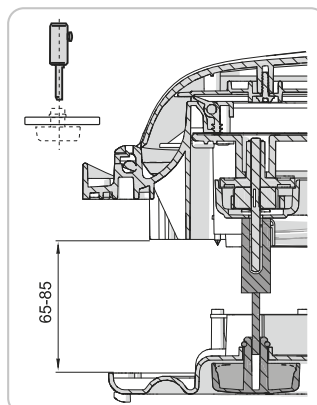
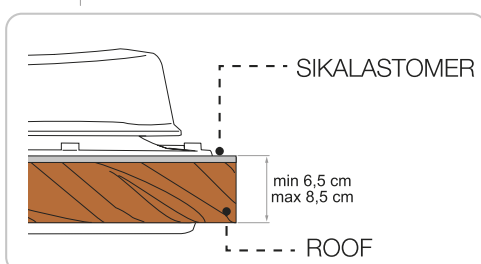
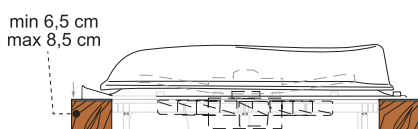
### STANDARD



Roof from 45 to 65mm  
Kit Extension Item No. 98683-116



Roof from 65 to 85mm  
Kit Extension Item No. 98683-116

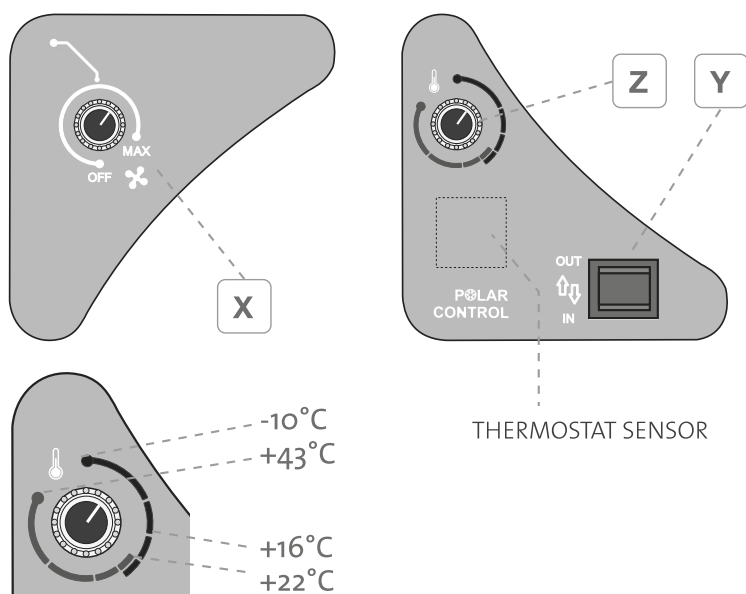


Technical features	Values
Nominal supply voltage	12 V $\equiv$
Tension tolerance	+/- 30%
Min. feeding tension	8 V $\equiv$
Maximum supply voltage	16 V $\equiv$
Power of nominal supply	36 W
Auto-resettable Fuse	-
Current protection intervention	5 A
Wire section	17 AWG - 1 mm <sup>2</sup>
Min. electric input	0,2 A +/- 10%
Max. electric input	-
Operating temperature	-10°C / +70°C
Storage temperature	-20°C / +80°C





## CONTROLS



- (X) Regulation fan speed
- (Y) Inversion of the sense of rotation of the fan
- (Z) Polar Control function

The Polar Control function enables the automatic switching on and off of the fan according to set value and the room temperature. Rotating the knob the approximate required temperature is set.

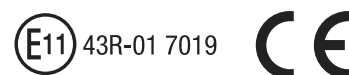
In this area the thermostat is active, the extremes indicating the intervention temperatures are stated. By switching the knob on a position in this area, the motor runs automatically identifying the set-up speed position and the direction (in-out).

Description	Weight	Item No.	12V Motor	Polar Control Thermostat	Touch control	EAN code
Turbo-Vent White	4,6 kg	03623F01-	•	•	-	8004815236465
Turbo-Vent Crystal	4,6 kg	03623F01B	•	•	-	8004815236458

## TECHNICAL FAULT

Problem	Cause	Solution
The fan doesn't rotate	Power voltage is less than 10 V $\equiv$	Charge the battery, check that the voltage is 12 V $\equiv$
	The cables are incorrectly connected	Check that connections correspond to wiring diagram and connect the cables correctly*
	Foreign bodies are blocking the blade	Remove any obstructions from the blade*
	Power failure	Check and restore the fuses in the main control panel*
	Thermostat has intervened	Lower the intervention point of thermostat
	The room temperature is under -10°C	Raise the room temperature at a degree over the -10°C
	None of the above causes	Contact your Fiamma Service Centre
The fan rotates without ventilating the inside of the vehicle	Deviator in exhaust position	Set the deviator to ventilation mode

\*Ensure that the power supply has been disconnected before carrying out any kind of operation, then reconnect.



### + ACCESSORIES

- Thermo Vent 40
- Kit Extension
- Rollo Vent 40x40
- Spoiler 40
- Spoiler Universal



Opening device replacement



Electronic plate replacement



Thermostat circuit replacement



Installation





# Turbo Vent Premium

## GENERAL INFORMATION

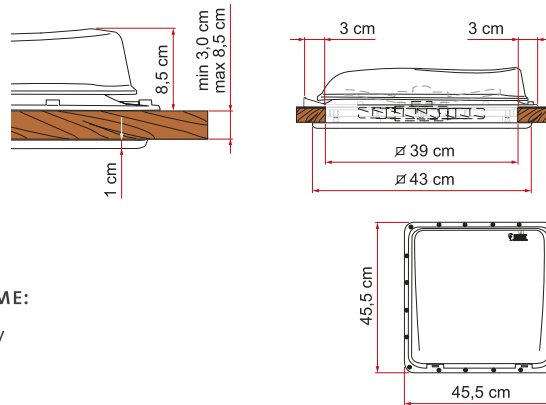
- Rooflight with fan (40x40 cm)
- Materials:
  - Cover: PP (White) - PC (Crystal)
  - External Frame: PP
  - Inner Frame: PS - HI

### COVER FINISHES:

- White
- Crystal

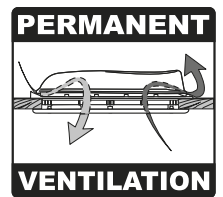
### INNER FRAME:

- Ivory



## TECHNICAL FEATURES

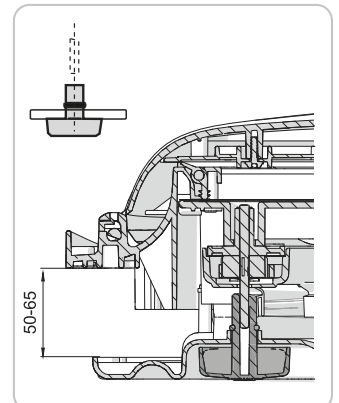
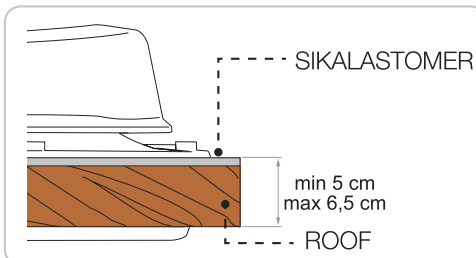
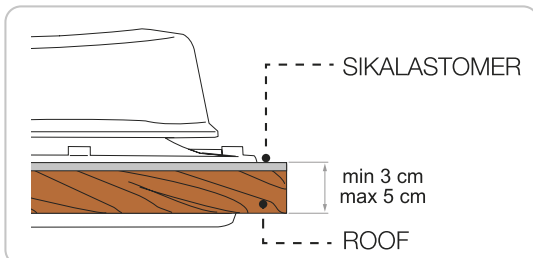
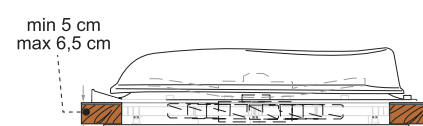
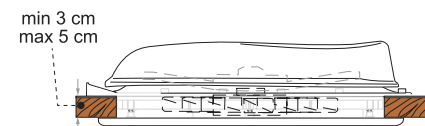
- The aerodynamic shape does not require the use of the spoiler
- Crystal Central fan 10 blades and 12V  $\equiv$  motor with adjustable speed
- Transparent and strong internal grid that guarantee more light
- To adapt it to the 36x36cm roof hole it is necessary to cut the corners on the inner frame



### STANDARD

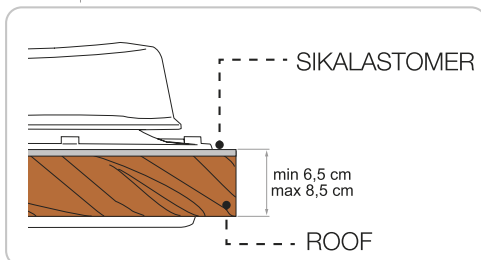
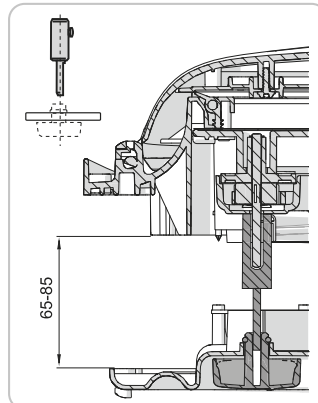
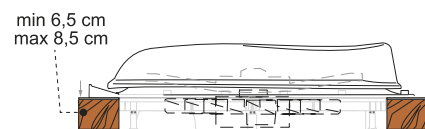
Roof from 50 to 65mm

Kit Extension Item No. 98683-116



Roof from 65 to 80mm

Kit Extension Item No. 98683-116

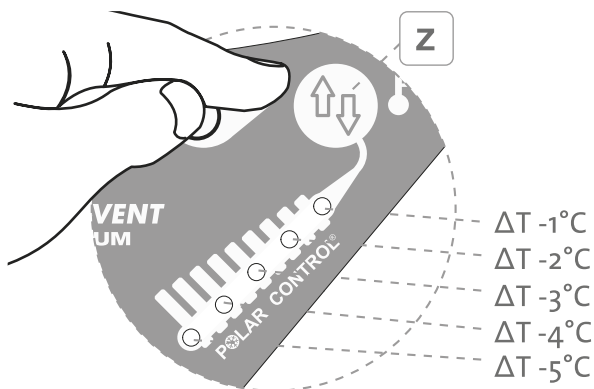
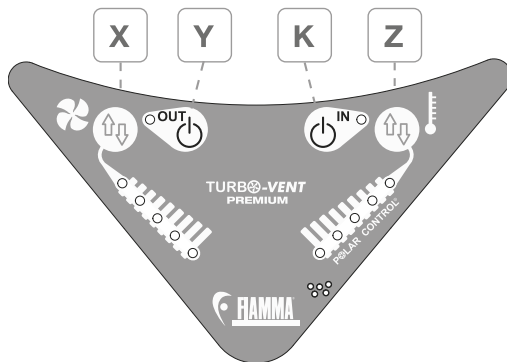


Technical features	Values
Nominal supply voltage	12 V $\equiv$
Tension tolerance	+/- 30%
Min. feeding tension	8 V $\equiv$
Maximum supply voltage	16 V $\equiv$
Power of nominal supply	36 W
Auto-resettable Fuse	-
Current protection intervention	5 A
Wire section	17 AWG – 1mm <sup>2</sup>
Min. electric input	0,2 A +/- 10%
Max. electric input	3,0 A +/- 10%
Operating temperature	-10°C / +70°C
Storage temperature	-20°C / +80°C

Description	Weight	Item No.	12V Motor	Polar Control Thermostat	Touch control	EAN code
Turbo-Vent Premium White	4,6 kg	03623H01-	•	•	•	8004815297701
Turbo-Vent Premium Crystal	4,6 kg	03623H01B	•	•	•	8004815297718



## CONTROLS



## ENERGY CONSERVATION:

the LED brightness decreases after not using the keyboard for 5 minutes.

- (X) Regulation fan speed
- (Y) Switching on and off air outlet fan
- (K) Switching on and off air inlet fan
- (Z) Polar Control function

## POLAR CONTROL (Z)

The Polar Control function enables the automatic switching on and off of the fan according to set value and the room temperature.

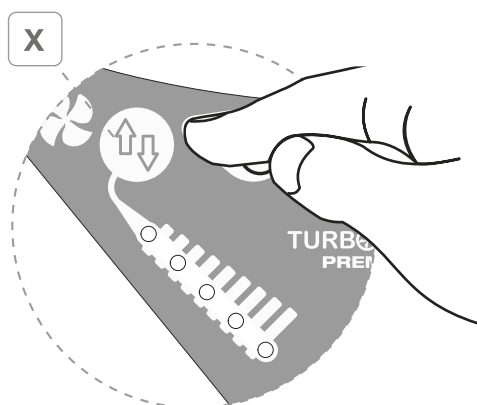
The room temperature will be displayed by switching on the Polar Control function; by adjusting the key and the requested  $\Delta T$ , the fan will rotate until reaching the temperature set value.

The switching on and off of the the Polar Control causes the RESET of the displayed room temperature.

To limit the consumption of energy, we recommend to set the Polar Control to the minimum  $\Delta T$ -1°C once reached a comfortable room temperature.

Notes: the cooling capacity of the fan depends on the difference between outdoor temperature and the room temperature.

$\Delta T$  = difference between the room temperature and the required temperature.

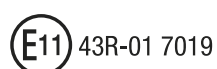


## FAN REGULATION (X)

Press the icon and keep it pressed till the requested speed. Slide the LED bar from min. to max. and vice versa, then release the button for a new regulation.

## + ACCESSORIES

- Thermo Vent 40
- Kit extension
- Rollo Vent 40x40
- Spoiler 40
- Spoiler Universal



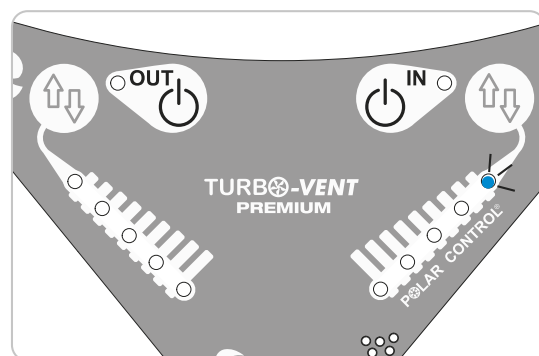
Installation



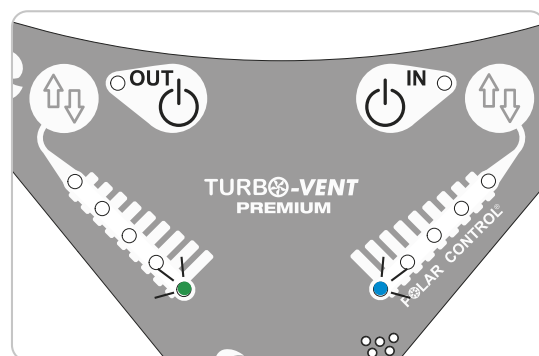


## TECHNICAL FAULT

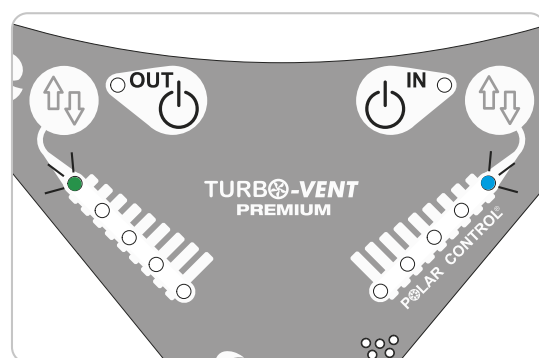
Problem	Cause	Solution
Polar Control doesn't work	The temperature sensor is broken. Room temperature $< -10^{\circ}\text{C}$ Room temperature $> +70^{\circ}\text{C}$ All ventilation functions are operational	Contact Fiamma service department



Problem	Cause	Solution
The fan doesn't rotate and the LEDs are flashing	Voltage-Power pack $> 16\text{ V} \text{ ---}$ The system functions are deactivated to preserve the product.	Check the feeding tension and turn it back $12\text{ V} \text{ ---}$



Problem	Cause	Solution
The fan doesn't rotate	Tension - Feeding tension $< 8\text{V} \text{ ---}$ The product functions are deactivated to preserve the product	Charge the battery
The fan doesn't rotate	Motor disconnected The product functions are deactivated to preserve the product	Connect the motor





# Vent 50

## GENERAL INFORMATION

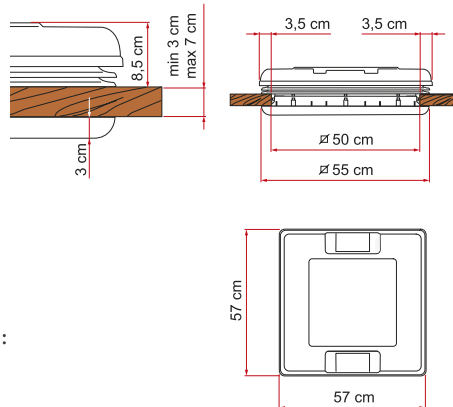
- Rooflight (50x50 cm)
- Materials:
  - Cover: PP (White) - PC (Crystal)
  - External Frame: PP
  - Inner Frame: PS - HI
  - Mosquito: GF
  - Blackout Blind: aluminium + PVC

### COVER FINISHES:

- White
- Crystal

### INNER FRAME:

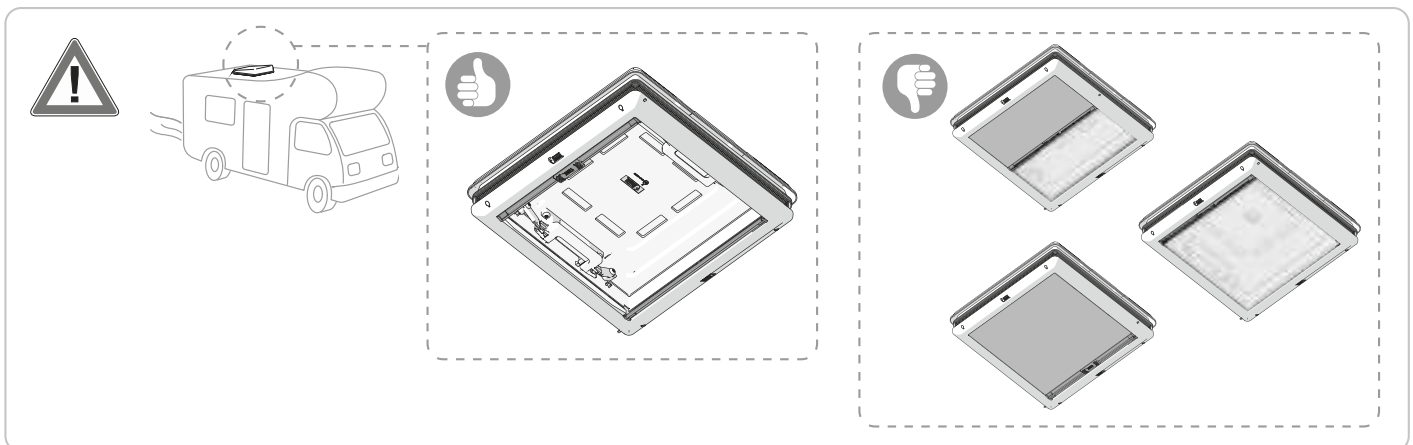
- Ivory



## TECHNICAL FEATURES

- Pantograph opening system
- It opens on all four sides with practical handles
- Delivered as standard with roller blind with two rollers: one blackout blind and one mosquito screen
- Permanent ventilation
- Locking anti-theft device on the handles

## ROLLER BLIND WITH TWO ROLLERS, ONE BLACK OUT BLIND AND ONE MOSQUITO SCREEN



Description	Weight	Item No.	EAN code
Vent 50 White	4,5 kg	01668-01-	8004815236250
Vent 50 Crystal	4,7 kg	01668-01D	8004815236267

### + ACCESSORIES

- Spoiler Universal
- Turbo Kit

43R-01 7019

Installation





# Vent 28 F

## GENERAL INFORMATION

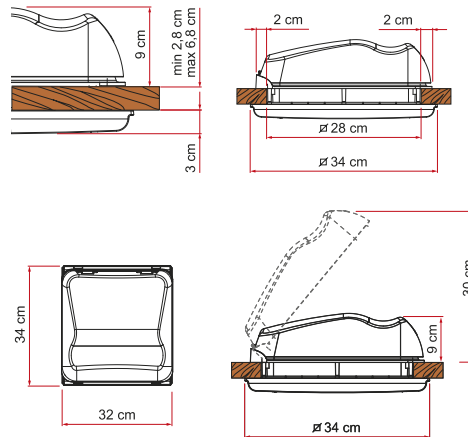
- Motorisable rooflight (28x28 cm)
- Materials:
  - Cover: PP (White) - PC (Crystal)
  - External Frame: PP
  - Inner Frame: PP/PS - HI
  - Mosquito: aluminium

### COVER FINISHES:

- White
- Crystal

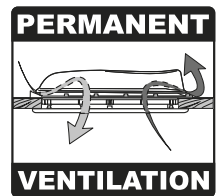
### INNER FRAME:

- Ivory

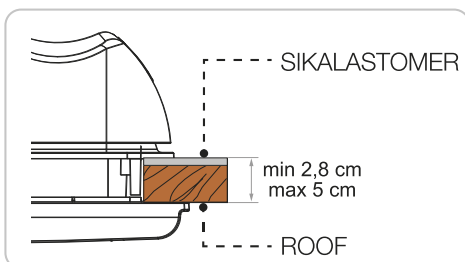
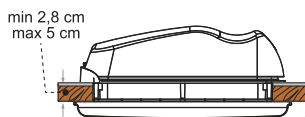


## TECHNICAL FEATURES

- The aerodynamic shape does not require the use of the spoiler
- Sandwich assembly: quick installation without needing to cut more holes in the roof of your vehicle
- Slim frame: minimum vertical dimensions on the vehicle ceiling
- Plenty of light inside
- Equipped with sturdy, rigid aluminium mosquito net, removable for easy cleaning
- Permanent ventilation
- Handy opening system with handwheel
- Can be motorised using the Kit Turbo-Vent 28 F

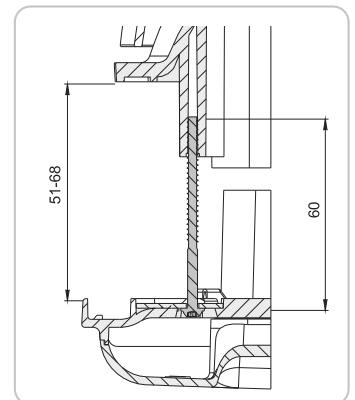
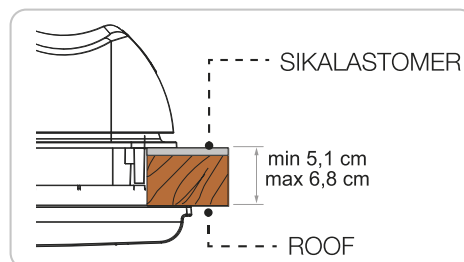
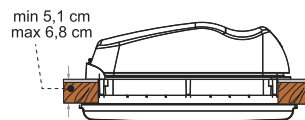
80 cm<sup>2</sup>

### STANDARD



Roof from 51 to 68 mm

Kit Extension Item No. 98683-145



Vent 28 F	
Dimensions	28x28cm
Outside dimensions	32x34cm
Internal dimensions	31x34cm
Inside light	25x25cm
Roof thickness (min - max)	2,8 - 6,8cm
Permanent air flow	80cm <sup>2</sup>

Description	Weight	Item No.	EAN code
Vent 28 F White	1,8 kg	07902-01-	8004815380519
Vent 28 F Crystal	1,8 kg	07902-01B	8004815380526

### + ACCESSORIES

- Kit Turbo Vent 28 F

**E11** 43R-01 7019

Installation



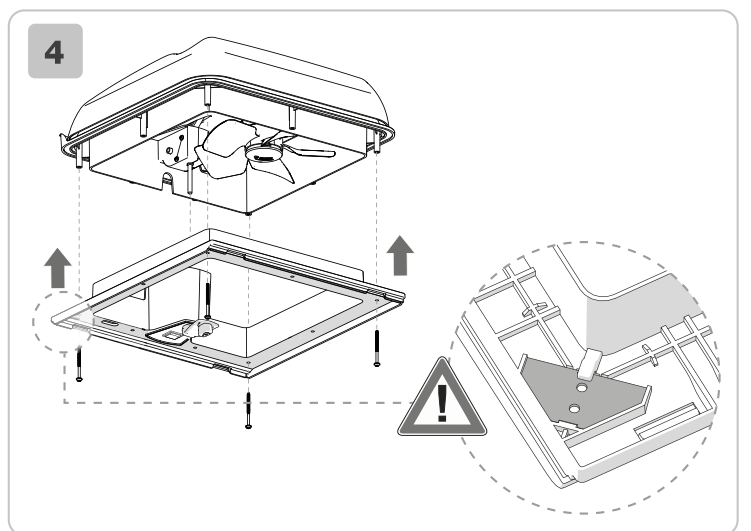
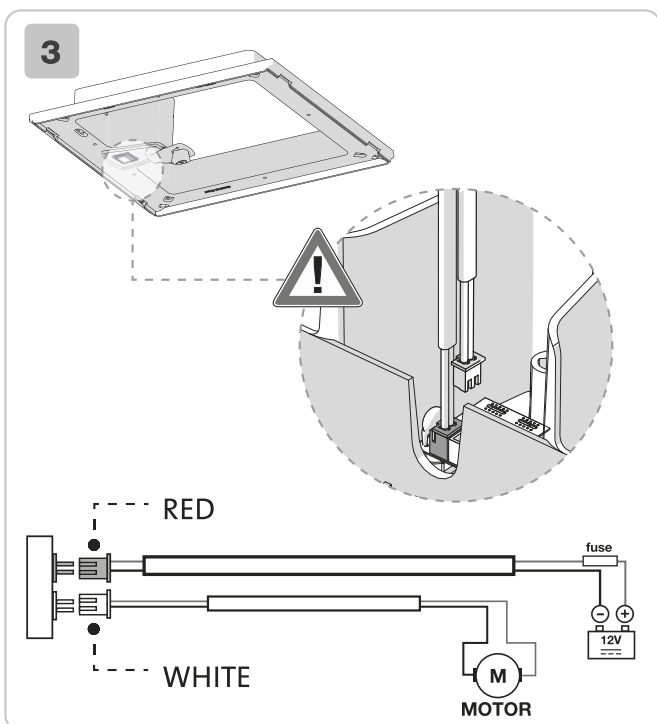
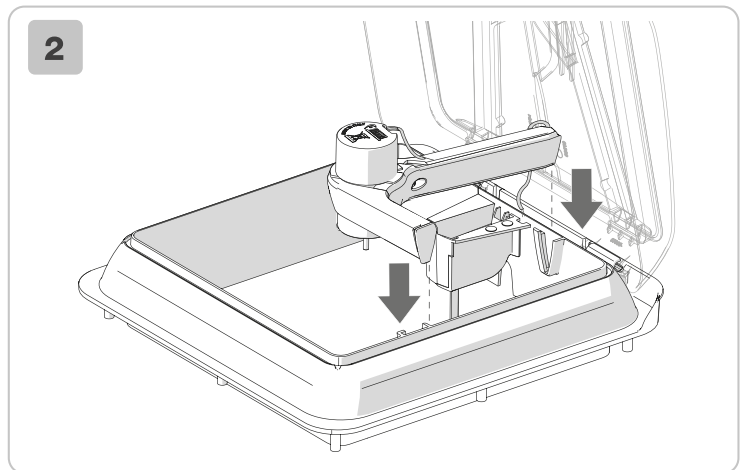
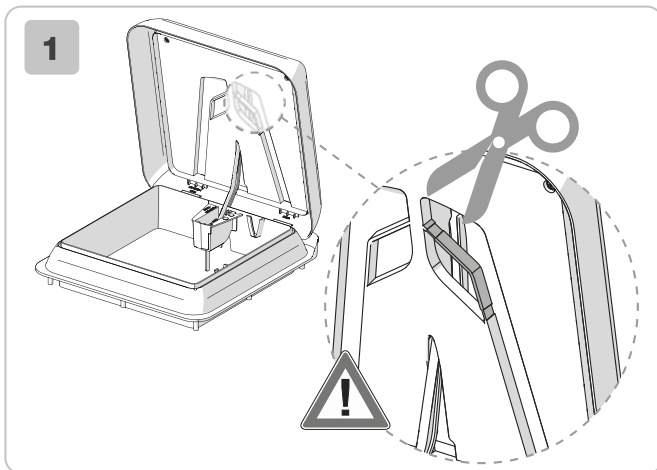
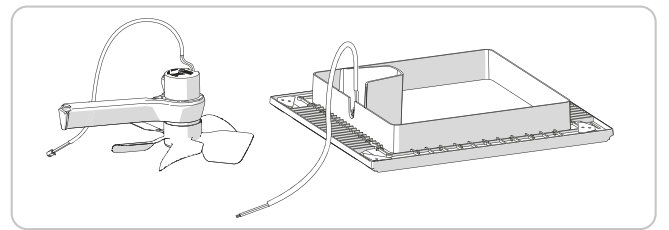


## KIT TURBO-VENT 28 F OPTIONAL

Kit Turbo-Vent 28 F	
Feeding tension	12 V
Absorbed power	25 W
Max electric input	1,9 A
Max air flow	9 m <sup>3</sup> /min
Fan diameter	180 mm
Permanent air flow	50 cm <sup>2</sup>



Description	Weight	Item No.	EAN code
Kit Turbo-Vent 28 F	0,5 kg	07903-01-	8004815380533

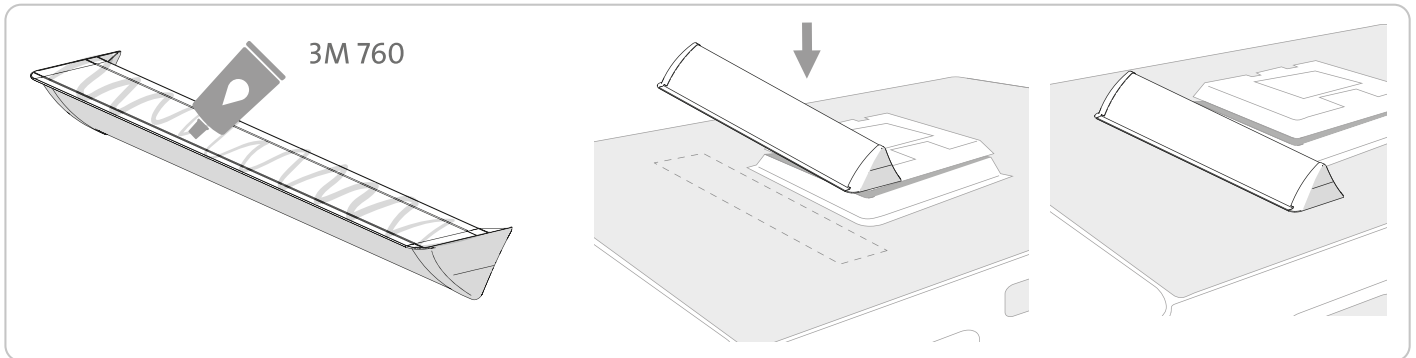
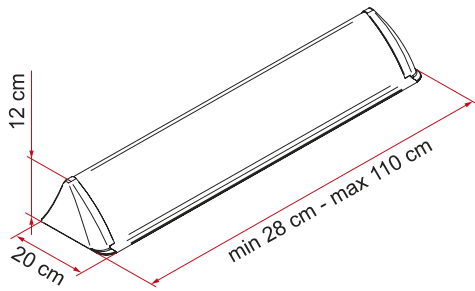


Installation

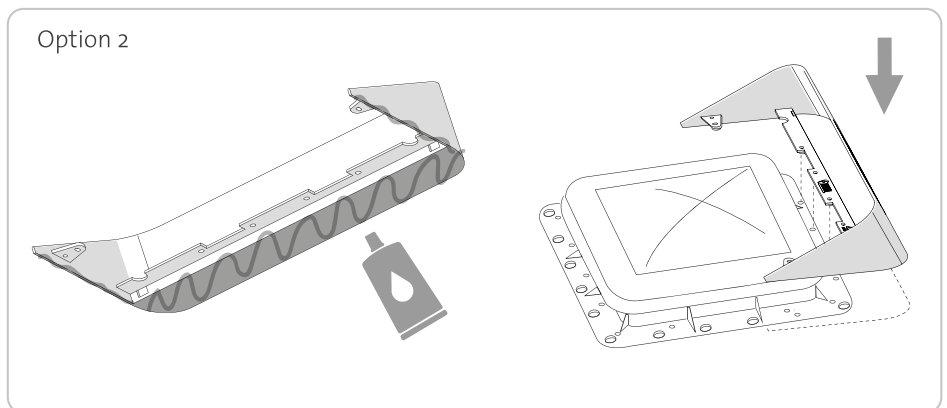
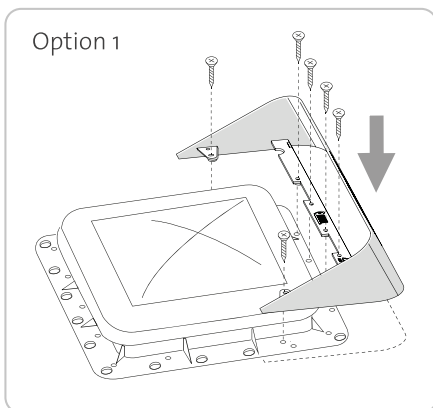
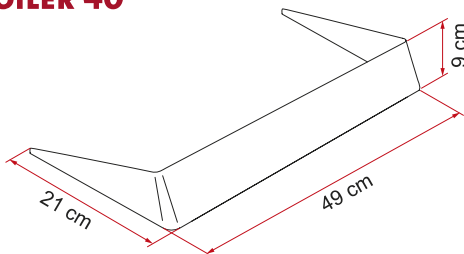




**SPOILER UNIVERSAL**



**SPOILER 40**



Description	Weight	Item No.	EAN code
Spoiler Universal	0,4 kg	06289-01-	8004815283384
Spoiler 40	0,3 kg	03585-01-	8004815047139

Installation Spoiler Universal

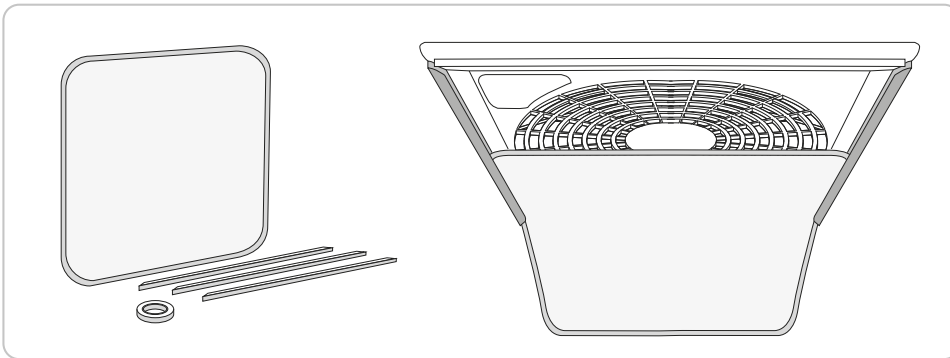
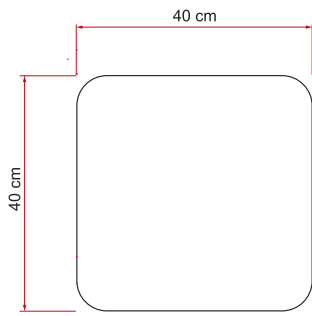


Installation Spoiler 40

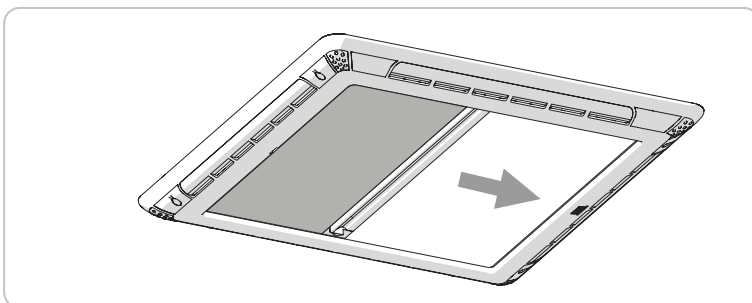
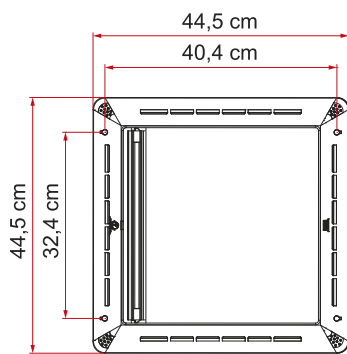




### THERMO VENT 40



### ROLLO VENT 40



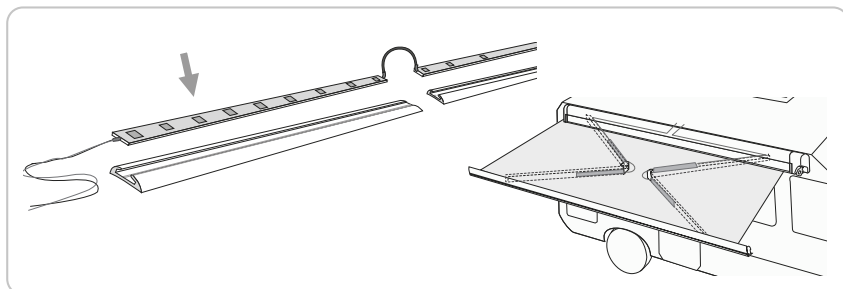
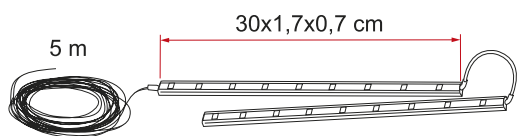
Description	Weight	Item No.	EAN code
Thermo Vent 40	0,1 kg	03650-01-	8004815092696
Rollo Vent 40	0,1 kg	06310-01-	8004815282394

Installation  
Rollo Vent 40

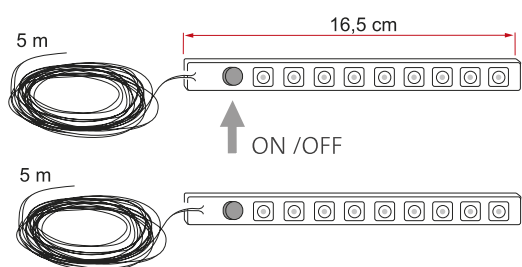


# Lighting

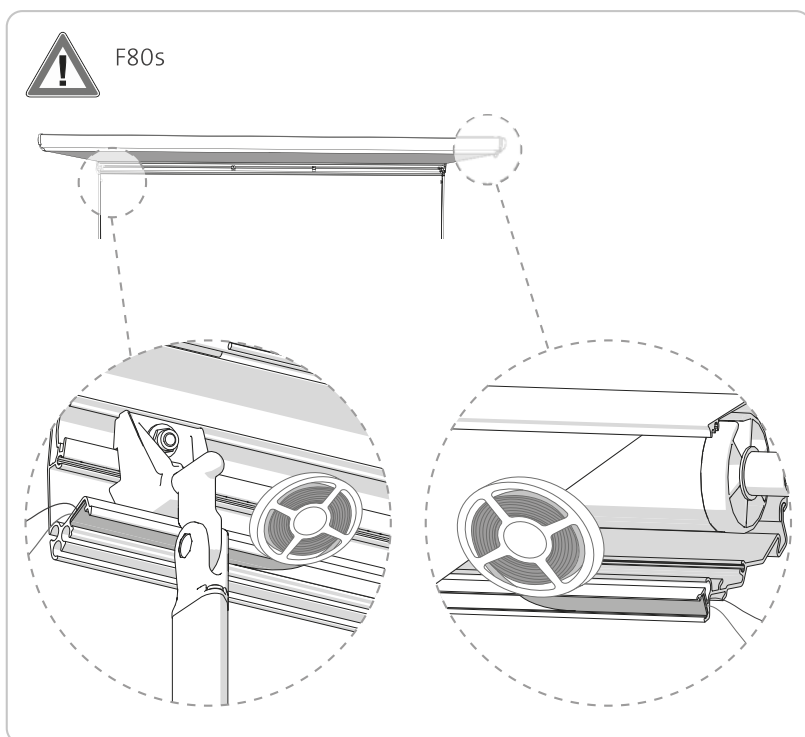
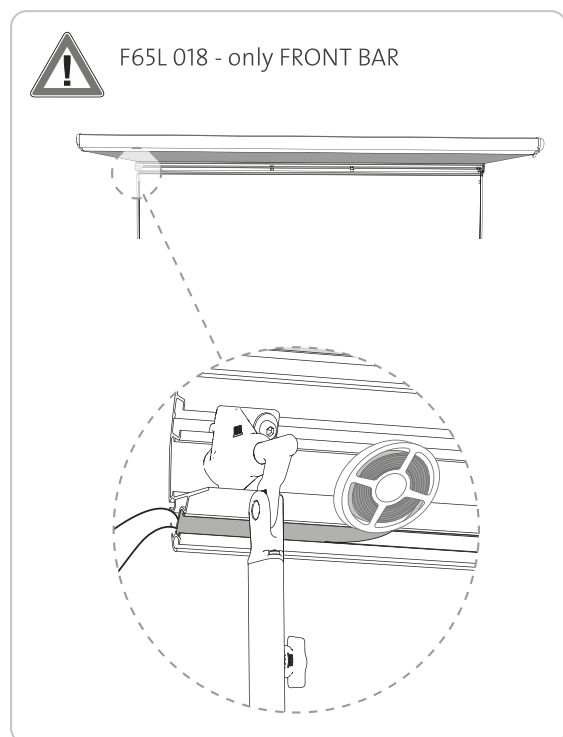
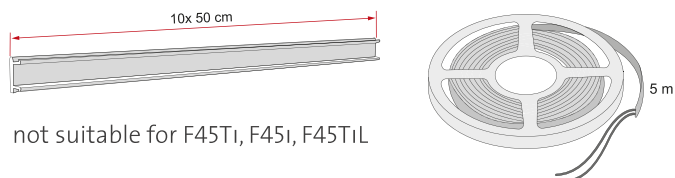
## AWNING ARMS LED



## KIT AWNING LED

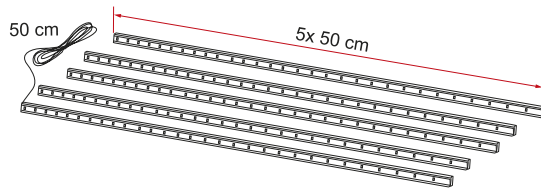


## KIT LED STRIP AWNING

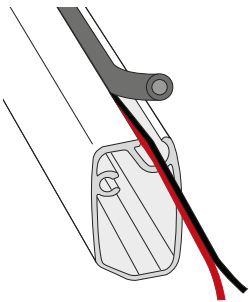




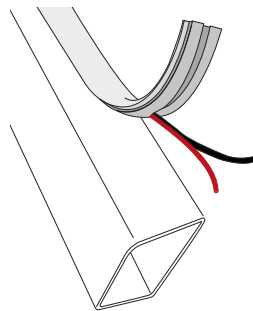
## LED AWNING CASE



### KIT CABLES GUIDE



### KIT CABLES RAIL



Description	Item No.	EAN Code
Awning Arms LED	98655-849	8004815268701
Kit Awning LED	98655-471	8004815240257
Kit LED Strip Awning High Brightness	98655Z051	8004815388683
Kit LED Strip Awning	98655Z040	8004815369071
LED Awning Case	98655-914	8004815298098
LED Awning Case 50	98655-915	8004815298104
Kit Cable Guide	98655-903	8004815292188
Kit Cable Rail	98655-856	8004815269838

Installation  
Awning Arms LED



Installation  
Kit LED Strip Awning

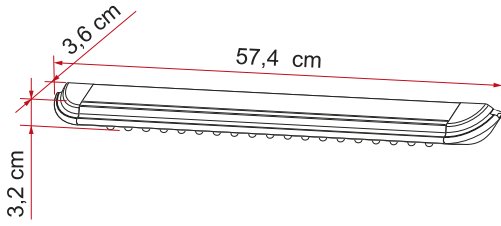


Description	LED colour	Tone	Light Cone Angle	Lm/mt	N° LED	Feeding tension	Absorbed power	Electric input
Awning Arms LED	Cold white	6500° k	120°	382	18	12 V	4 W	0,36 A
Kit Awning LED	Cold white	6500° k	120°	170	9	12 V	2,4 W	0,20 A
Kit LED Strip Awning High Brightness	Cold white	5000° k	120°	840	300	12 V	48 W	4,00 A
Kit LED Strip Awning	Neutral white	5000° k	120°	420	150	12 V	24 W	2,00 A
LED Awning Case	Cold white	6500° k	120°	168	150	12 V	2,7 W / barra	0,23 A / barra
LED Awning Case 50	Cold white	6500° k	120°	168	30	12 V	2,7 W	0,23 A

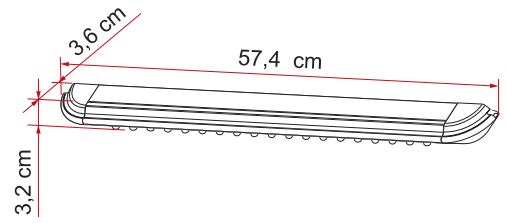
Description	F45s	F45s VWT5/T6	F70	F45L	F45 Eagle	F80s	F65s	F65L 018	F65L Eagle	Fiamma ZIP	CaravanStore Cstore ZIP
Awning Arms LED	•	•	•	•	•	•	•	•	•	•	
Kit Awning LED	•	•	•	•	•		•			•	
Kit LED Strip Awning High Brightness						•		•	•		
Kit LED Strip Awning						•		•	•		
LED Awning Case	•		•	•	•					•	
LED Awning Case 50	•		•	•	•					•	



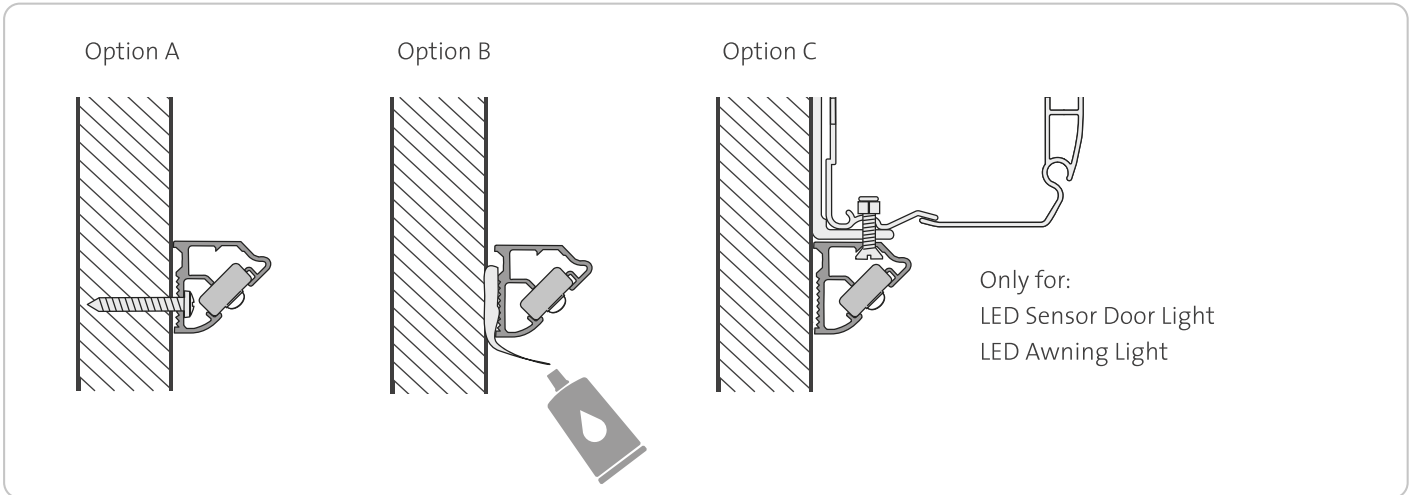
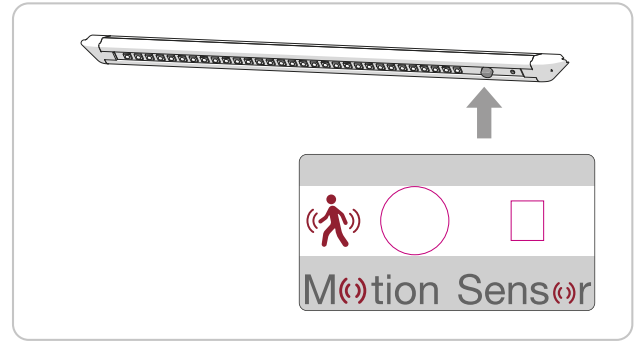
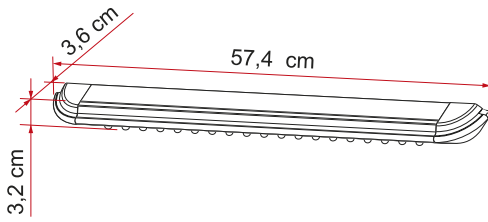
### LED AWNING LIGHT



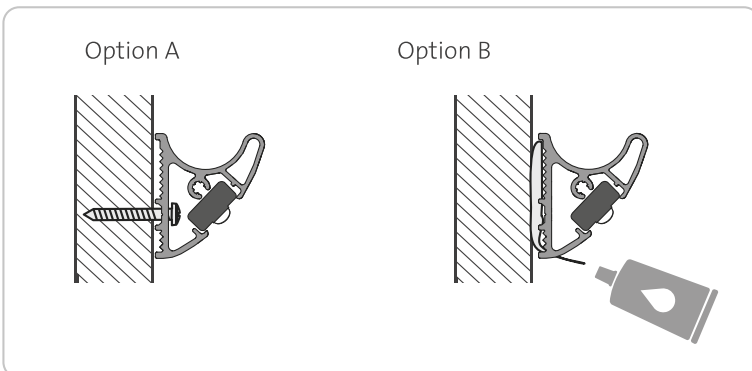
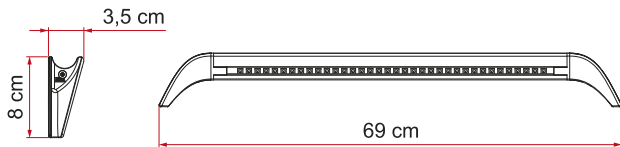
### LED SENSOR DOOR LIGHT



### LED GARAGE LIGHT



### LED AWNING LIGHT GUTTER



Installation Kit Awning Light  
Led Sensor Door Light  
Led Garage Light

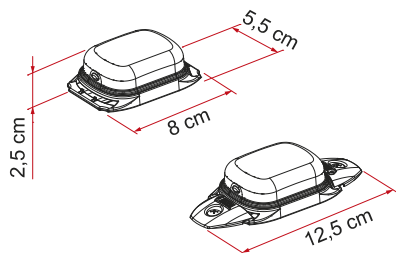


Installation LED Awning Light Gutter

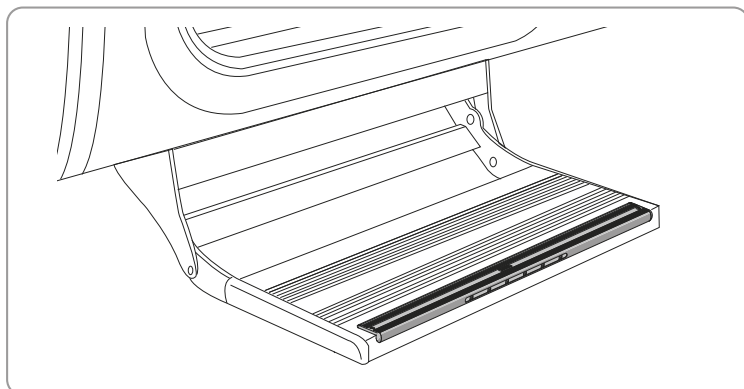
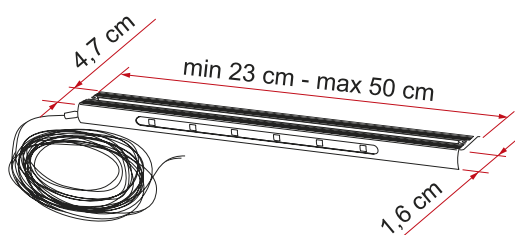




**LED WARNING SOLAR**



**LED STEP**



Description	Applications	Item No.	EAN Code
LED Awning Light	Outdoor	98655-848	8004815268695
LED Warning Solar	Outdoor	98655-885	8004815281328
LED Garage Light	Garage	98655-883	8004815281304
LED Step	Door/Garage	98655-886	8004815281335
LED Sensor Door Light	Door	98655A884	8004815281311
LED Awning Light Gutter	Door	98655-607	8004815294267



Installation  
LED Step



Description	LED colour	Tone	Light Cone Angle	Lm/mt	N° LED	Feeding tension	Absorbed power	Electric input
LED Awning Light	Cold white	6500° k	120°	547	31	12 V	7,4 W	0,62 A
LED Warning Solar	Intermitt. red	-	120°		6	2,4 V	0,03 W	0,012 A
LED Garage Light	Cold white	6500° k	120°	547	31	12 V	7,4 W	0,62 A
LED Step	Cold white	6500° k	120°	145	6	12 V	1,7 W	0,14 A
LED Sensor Door Light	Cold white	6500° k	120°	547	31	12 V	7,4 W	0,62 A
LED Awning Light Gutter	Cold white	6500° k	120°	547	31	12 V	7,4 W	0,62 A

## PRELIMINARY CHECKS



- Mount the pump on a solid surface and in a position comfortable for filter cleaning and routine maintenance.
- The pump can be installed in any position, in the event of installation in vertical position put the motor above the hydraulic part.
- Mount the pump near the water tank in order to obtain the best performance.

### ADAPTABILITY OF VEHICLES



## WARNINGS



- Use only cable clamps suitable for the diameter of the power cable for connection to the terminal board. If incorrect terminals are used, this could cause a voltage drop and increase the formation of heat on the terminal.
- When using for the first time, it's advisable to proceed with the sanitation so as to remove any processing waste. Check periodically the cleaning of the inlet filter or in the event of low flow. Clean the filter periodically (at the start and end of the season).
- During winter storage if outdoor temperatures are expected  $< 0^{\circ}\text{C}$  it is absolutely necessary to drain the entire plumbing system, especially the pump by disconnecting the vacuum hose and making it run for a few minutes as long as no water comes out from all the taps.
- To ensure the proper operation of the pump and of the plumbing system is recommended to make the sanitization of the same at least once a year or after a long period of non-use of the product.
- Periodically check the tightness of the hydraulic components that vibrations may have loosened.
- Maximum water temperature: the water supply to Fiamma pumps must be at room temperature. It should not be preheated by other equipment.

## GENERAL INFORMATION



- Maximum run between pump and services: Fiamma pumps can deliver water to a far greater distance than the length of any current recreational vehicle.
- Maximum height (head) to which the pump can deliver water: the performance of Fiamma pumps is more than adequate to handle the height of normal campers and motorhomes.

### CLEANING

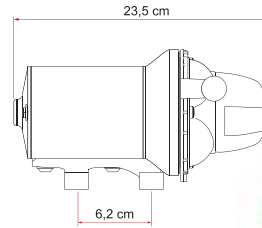
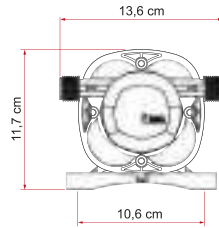




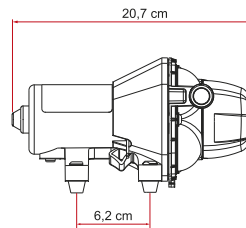
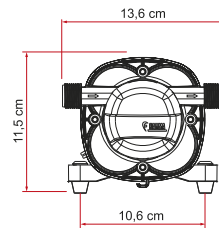
# Aqua F

## GENERAL INFORMATION

- Self priming diaphragm pump
- Materials:
  - Body: PP
  - Valves: EPDM
  - Membrane: TPV
  - Filter: Inox



Aqua F (13 litres)



Aqua F (10 litres)

## TECHNICAL FEATURES

- Equipped with innovative inner membrane made from a single piece to ensure watertight seal, with anti-vibration base, brass pressure switch with fixed calibration and external filter for easy maintenance
- Enhanced motor with high efficiency
- Can be installed in any position
- Both the pumps are delivered a standard with filter included
- Angle and straight connectors for Ø 13mm pipes included (only for 13l)

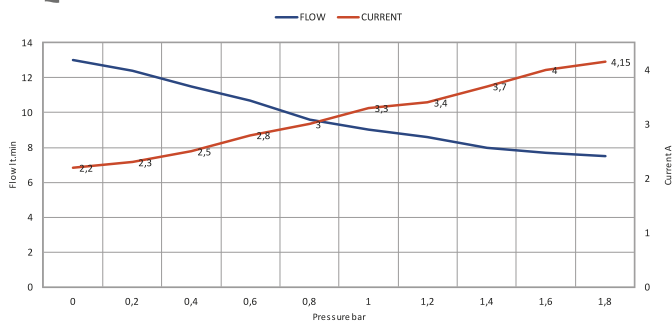


Filter detail

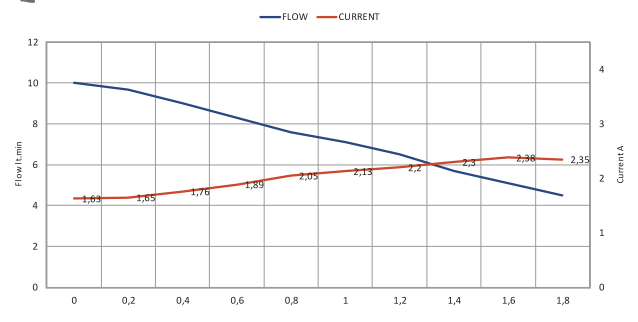
Technical features	Aqua F (13 litres)	Aqua F (10 litres)
Power Supply	12 V	12 V
Absorption	2,5 A	1,7 A
Max flow l/min. at 0 bar	13 l/min	10
Noise level	50 db	52 db
Pressure switch interv.	1,5 Bar - 21,7 Psi	1,5 Bar - 21,7 Psi
Section head	5 m	5 m

Description	Weight	Item No.	EAN code
Aqua F (13 litres)	2,2 kg	07073-01-	8004815321376
Aqua F (10 litres)	1,4 kg	07073A01-	8004815341206

## AQUA F 13 L - PERFORMANCE



## AQUA F 10 L - PERFORMANCE



## OMOLOGATIONS

- ECE ONU R10
- RCM N136

- DM 174/2004
- EU 10/2011
- DM 21/03/1973



Aqua F (13 litres)

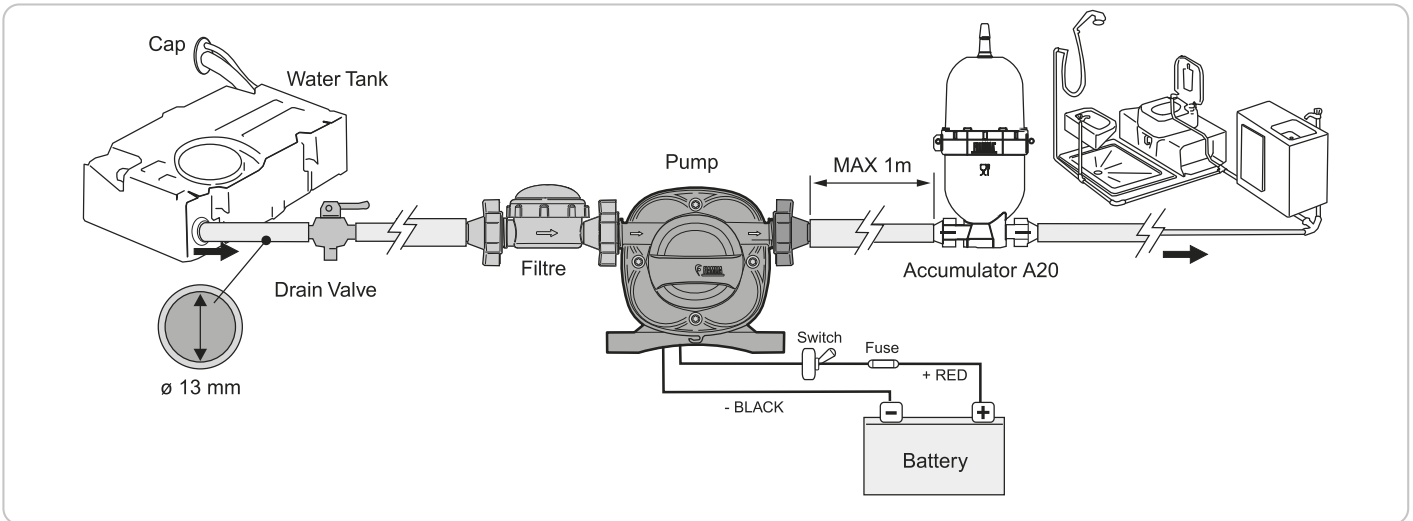


Installation

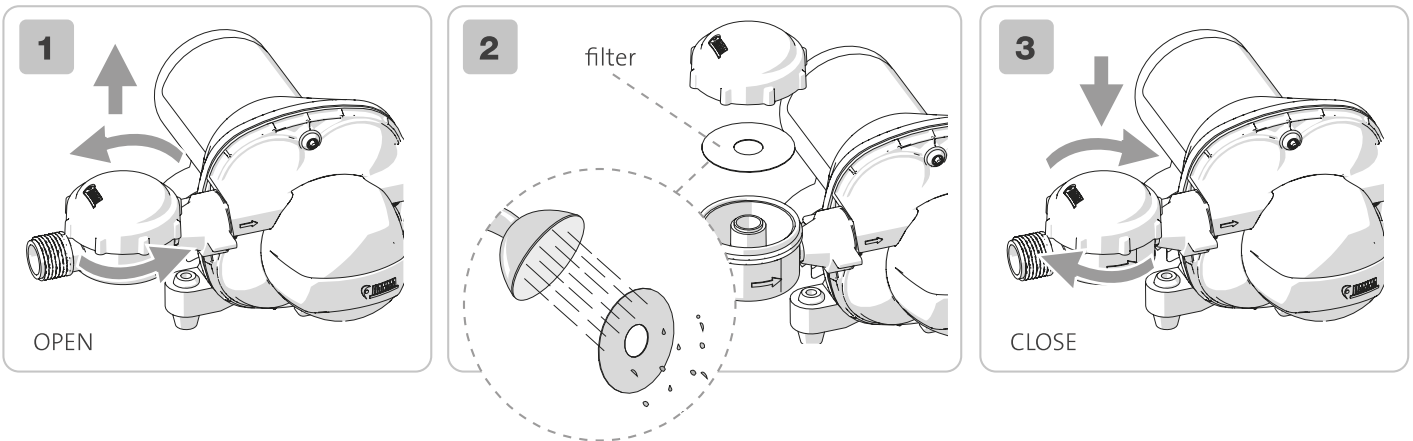




### MOUNTING SCHEME - AQUA F



### FILTER CLEANING - AQUA F



### TECHNICAL FAULT- AQUA F

Problem	Solution
The pump does not stop running	Check the power supply: at least 12V
	Check for leaks in the water circuit.
The pump runs noisily	Check for vibrations in the water pipes.
	An unstable installation surface will accentuate noise and vibrations.
	Make sure the mounting feet are not compressed too much.
The pump does not run evenly	Check the filter for obstruction.
	Check for obstructions in the pipes.
	Check for detritus in the in/out valves and that they have not lost their elasticity.
The pump does not start	Check the electrical connections.
	Check for frozen water in the pump.
The pump is leaking	Check for loose screws in the head pressure switch or internal membrane.
	Check for tears in the internal membrane.



# Aqua 8

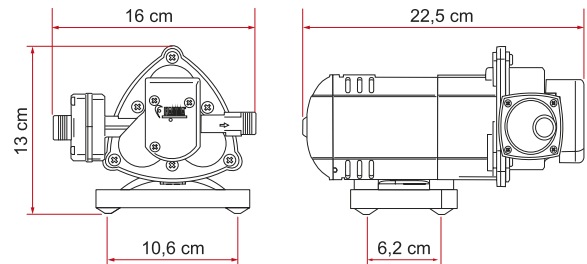
## GENERAL INFORMATION

- Self priming diaphragm pump
- Materials:
  - Body: PP
  - Valves: Silicone
  - Membrane: NBR
  - Filter: Inox



## TECHNICAL FEATURES

- Incorporated filter and anti vibration Silent Plate included
- Pumps water vertically over 3m with no priming
- An automatic pressure switch starts and stops the pump by opening and closing the valve
- Angle and straight connectors for Ø 13mm pipes included



Technical features	Aqua 8 (7 litres)	Aqua 8 (10 litres)
Weight	1,5 kg	1,5 kg
Power Supply	12 V	12 V
Absorption	1,4 A	3,4 A
Max flow l/min. at 0 bar	7 l/min	10 l/min
Noise level	55/60 db	65/70 db
Pressure switch interv.	1,5 Bar - 21,7 Psi	1,5 Bar- 21,7 Psi

Description	Weight	Item No.	EAN code
Aqua 8 (7 litres)	1,5 kg	01216C01-	8004815000202
Aqua 8 (10 litres)	1,5 kg	01216B01-	8004815280826

## ANTI VIBRATION SILENT PLATE INCLUDED



## OMOLOGATIONS

- ECE ONU R10
- DM 174/2004
- EU 10/2011
- DM 21/03/1973



Filter replacement

Pressure switch replacement

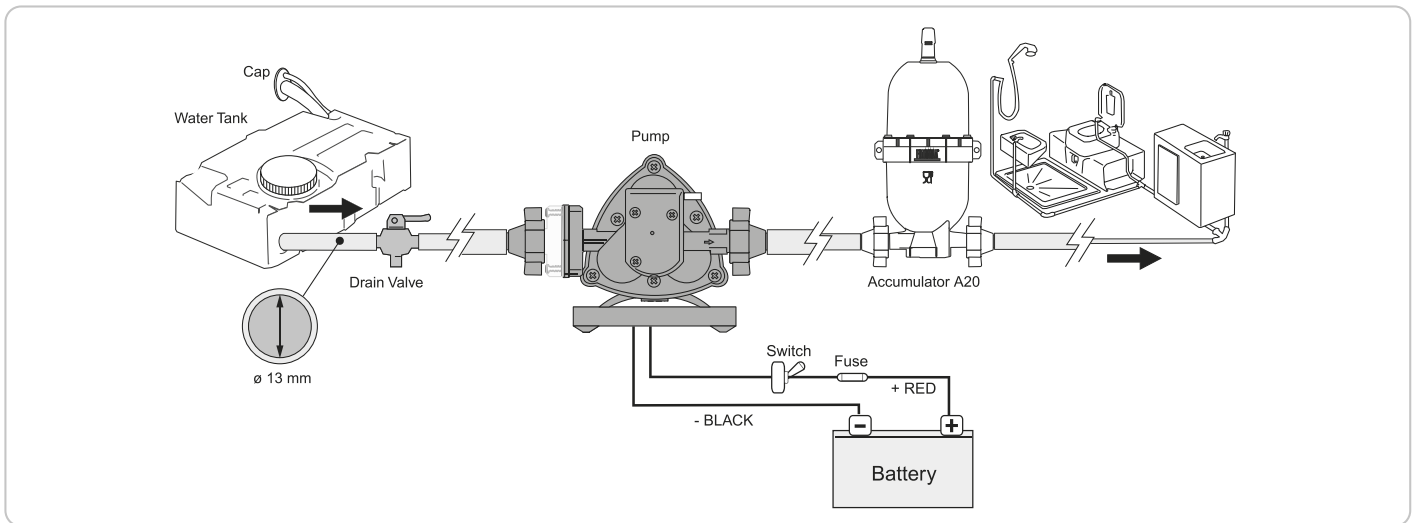
Valves kit replacement

Transmission kit replacement

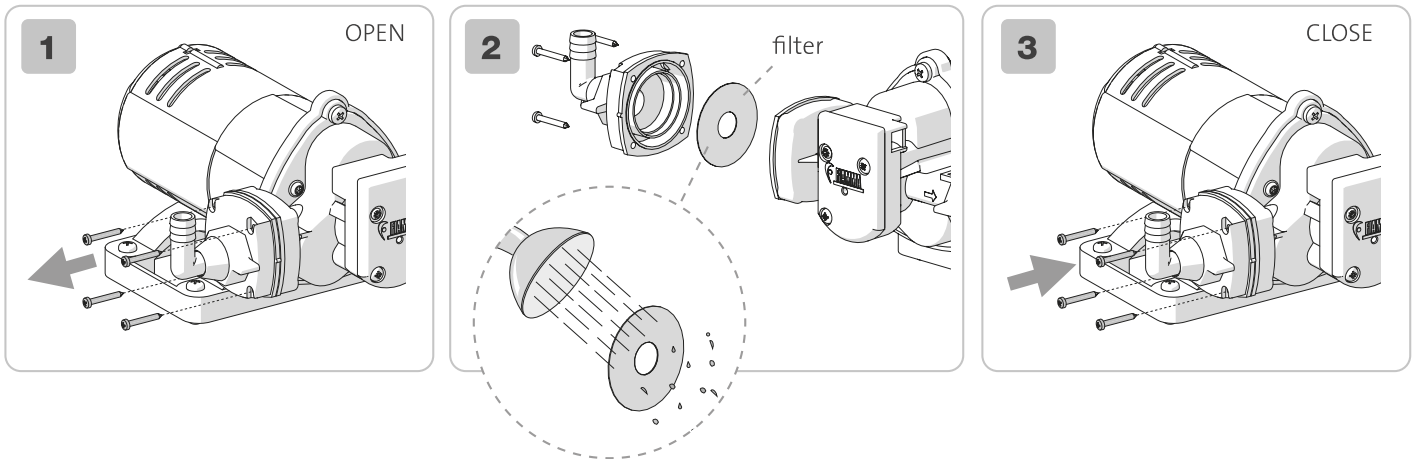
Installation



## MOUNTING SCHEME - AQUA 8



## FILTER CLEANING - AQUA 8



## TECHNICAL FAULT- AQUA 8

Problem	Solution
The pump does not stop running	Check the power supply: at least 12V
	Check for leaks in the water circuit.
	Adjust the pressure switch by turning the adjuster screw at most ¼ turn counterclockwise.
The pump runs noisily	Check for vibrations in the water pipes.
	An unstable installation surface will accentuate noise and vibrations.
	Make sure the mounting feet are not compressed too much.
The pump does not run evenly	Check the filter for obstruction.
	Check for obstructions in the pipes.
	Check for detritus in the in/out valves and that they have not lost their elasticity.
The pump does not start	Check the electrical connections.
	Check for frozen water in the pump.
The pump is leaking	Check for loose screws in the head pressure switch or internal membrane.
	Check for tears in the internal membrane.



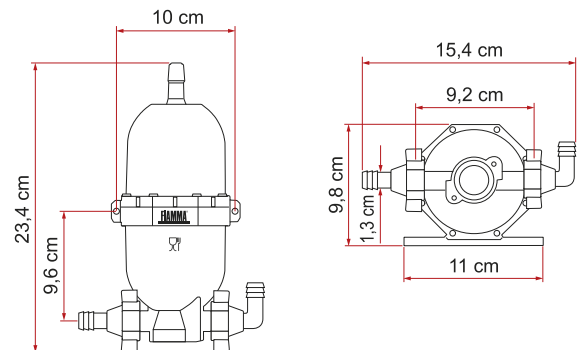
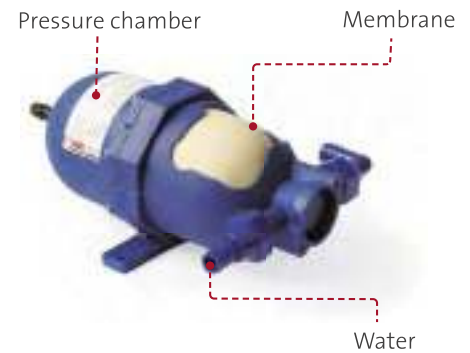
# A20

## GENERAL INFORMATION

- Universal expansion tank
- Materials:
  - Body: PA
  - Membrane: NBR

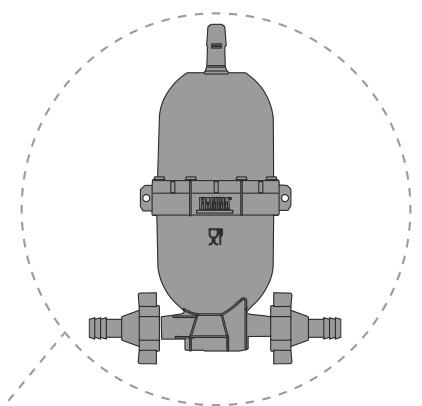
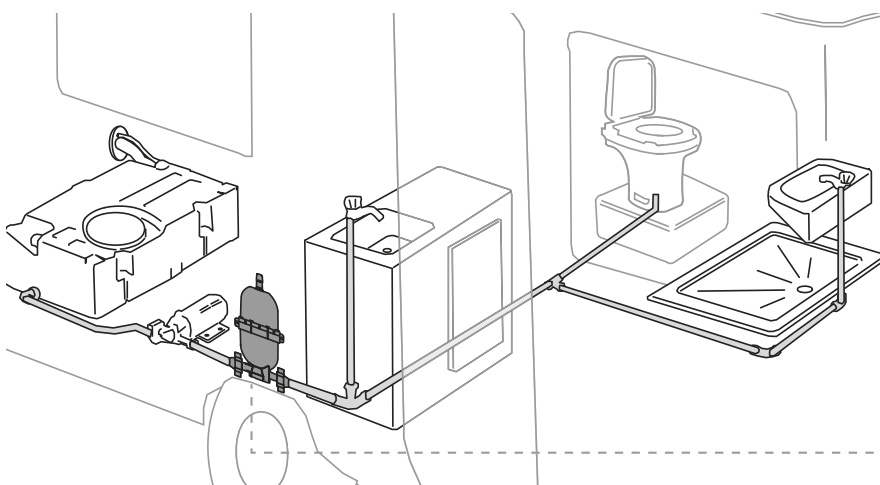
## TECHNICAL FEATURES

- It eliminates the pulsating effect of the pump and supplies a constant flow of water in the required quantity
- It extends the life of the pump and boiler
- It is precharged at 0.9 bars (13 psi) to better fit Fiamma pumps
- It can be charged with the special valve with a normal compressor so it can be adapted to all pumps. Max 8 bar (116 psi)
- Can be installed both horizontally and vertically
- The internal diaphragm absorbs the knockbacks and stabilizes the operation of the pump



If used with a non-Fiamma pump with a pressure switch set at a higher pressure, it is advisable to increase the preload pressure.

Description	Weight	Item No.	EAN code
A20	0,3 kg	02478-01-	8004815035778



## OMOLOGATIONS

- DM 174/2004
- EU 10/2011
- DM 21/03/1973

Installation



## PRELIMINARY CHECKS



- When using for the first time, it's advisable to proceed with the sanitation so as to remove any processing waste.

## ADAPTABILITY OF VEHICLES



## WARNINGS



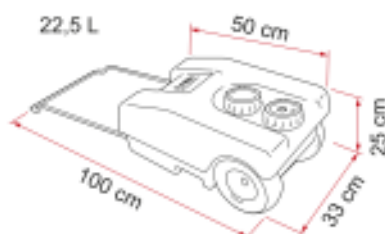
- To prevent damages, make sure not to travel with the tank full and upright
- It is advisable to always wash the inside of the tank before use and at least once a year; for hygienic reasons and for the correct functioning of the hydraulic pump it is advisable, in case of prolonged non-use, to sanitize it, empty it, clean it and dry it thoroughly.
- Check the perfect tightness of the various hose connections and the perfect locking of the clamps, which may come loose due to vibrations during the movement of the vehicle
- Roll-Tank 23 W - Roll-Tank 40 W
- For use at low temperatures add an anti-freeze mixture or ethylene glycol to the water in the tank.
- For hygienic reasons, frequent emptying is

# Roll-Tank 23 F / 40 F

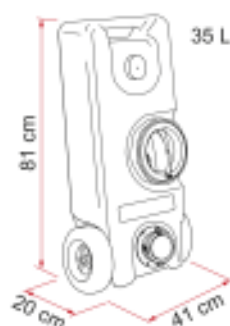


## GENERAL INFORMATION

- Portable fresh-water tank
- Roll-Tank 23 F: Compact size (fits through normal vehicle doors)
- Roll-Tank 40 F: Easily cleaning wide cap
- Material: PE



Roll-Tank 23 F



Roll-Tank 40 F



Description	Capacity	Weight	Item No.	EAN code
Roll-Tank 23 F	22,5 l	2,4 kg	02428A01A	8004815025113
Roll-Tank 40 F	35 l	3,8 kg	08307-01A	8004815411589

## OMOLOGATIONS

- DM 174/2004
- EU 10/2011
- DM 21/03/1973

Installation

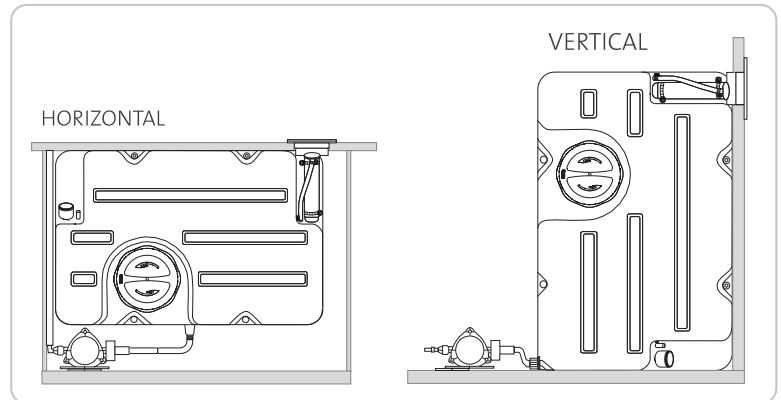
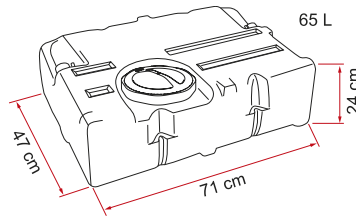




# Tank 70

## GENERAL INFORMATION

- Portable fresh water tank
- Vertical or horizontal installation
- Comes complete with all necessary fittings for installation
- Water inlet pipe:  $\varnothing$  38 mm
- Water air outlet:  $\varnothing$  13 mm
- Materials:
  - PE



Description	Capacity	Weight	Item No.	EAN code
Roll-Tank 70 F	65 l	4,4 kg	08306-01-	8004815411565

## OMOLOGATIONS

- DM 174/2004
- EU 10/2011
- DM 21/03/1973

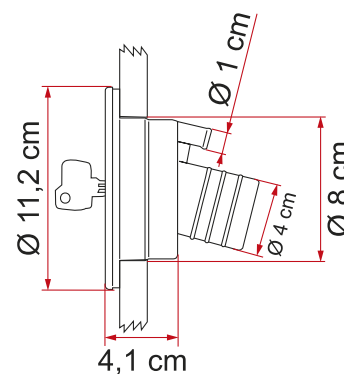
Installation



# Water Cap

## GENERAL INFORMATION

- Locking water cap
- Colours:
  - White
  - Black



Description	Weight	Item No.	EAN code
Water Cap White	0,2 kg	94715-010	8004815123130
Water Cap Black	0,2 kg	94715-005	8004815032098

## OMOLOGATIONS

- DM 174/2004
- EU 10/2011
- DM 21/03/1973

Installation





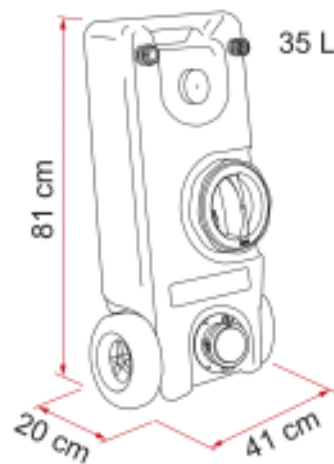
# Roll-Tank 23 W / 40 W

## GENERAL INFORMATION

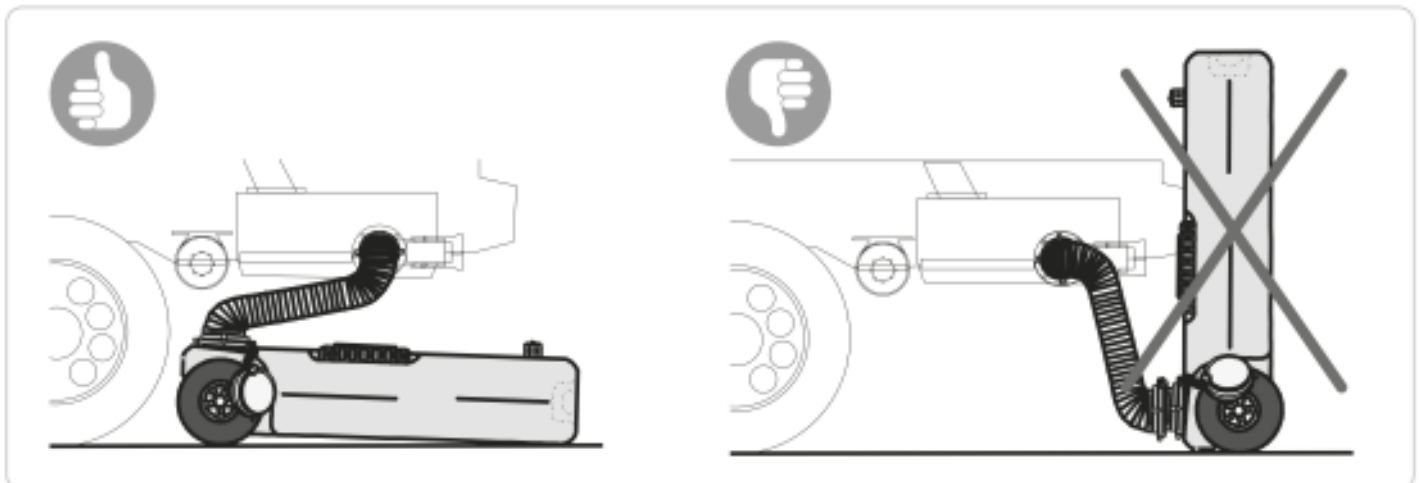
- Portable waste water tank
- Roll-Tank 23 W: Compact size (fits through normal vehicle doors)
- Roll-Tank 40 W: with level indicator and air release valve. 45° angle adapter for discharge is included
- Materials:
  - PE



Roll-Tank 23 W



Roll-Tank 40 W



Description	Capacity	Weight	Item No.	EAN code
Roll-Tank 23 W	22,5 l	2,4 kg	02428A01-	8004815025090
Roll-Tank 40 W	35 l	3,9 kg	08307-01-	8004815411572

Installation





# Kit Sanitay Flex

## GENERAL INFORMATION

- Flexible hose 300cm. extendable.
- Suitable for: Roll-Tank 40 W - Tank 21 W - Quick connection
- Delivered as standard with 2 fittings for connection to the above mentioned products

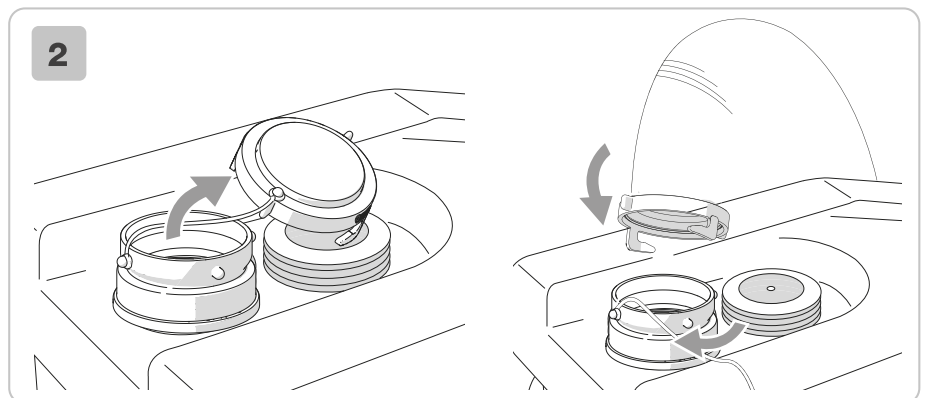
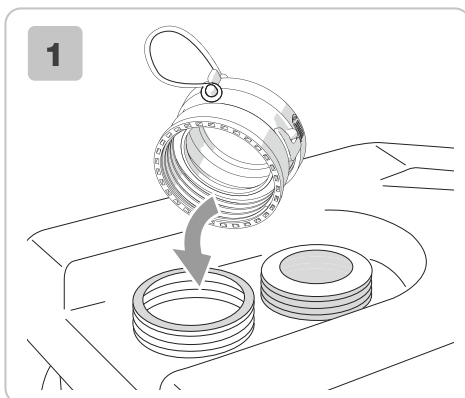


Description	Weight	Item No.	EAN code
Kit Sanitary Flex	0,8 kg	02438A01-	8004815025984

# Quick Connection W

## GENERAL INFORMATION

- Adapter to turn the threaded connection into a bayonet connection
- Suitable for: Sanitary Flex (to connect the to the Tank 23 W)
- $\varnothing$  81 mm



Description	Weight	Item No.	EAN code
Quick Connection W	0,2 kg	06497-01-	8004815292751

Installation

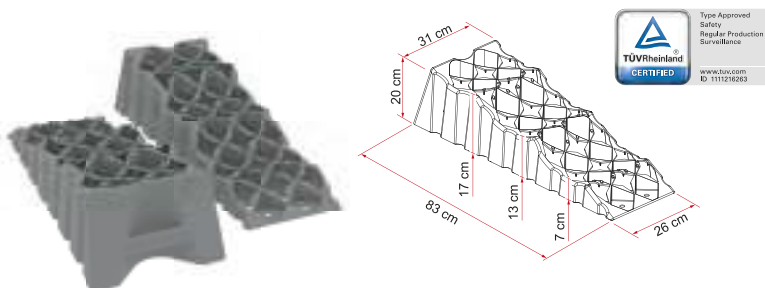






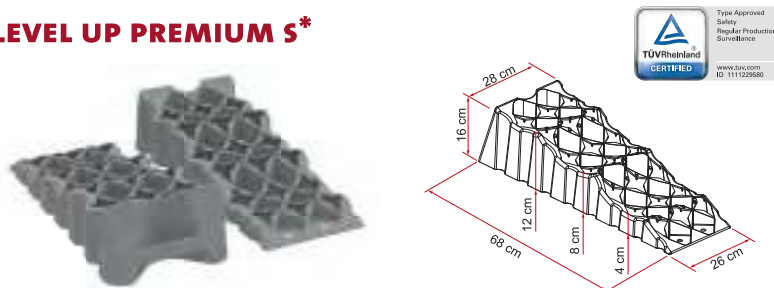
# Level

## KIT LEVEL UP PREMIUM\*



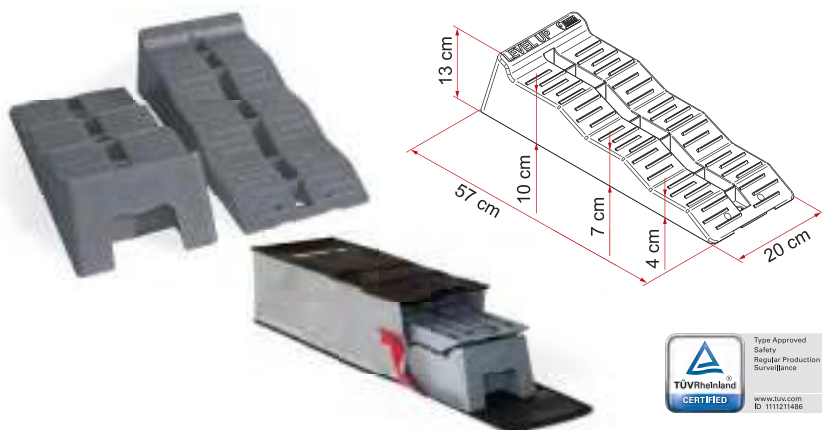
\*This item is not offered for sale to UK customers and must not be imported into the UK or sold to third parties in the UK.

## KIT LEVEL UP PREMIUM S\*

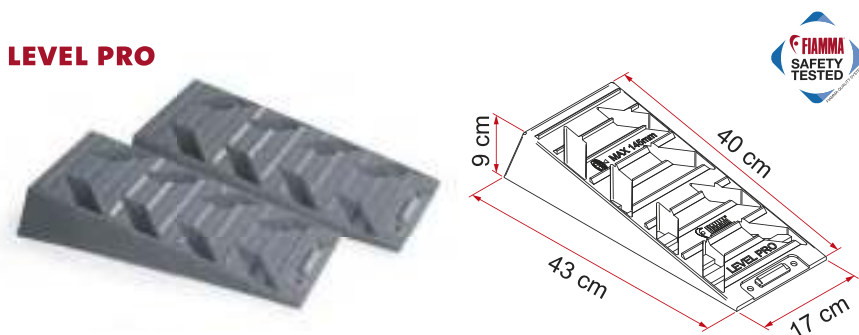


\*This item is not offered for sale to UK customers and must not be imported into the UK or sold to third parties in the UK.

## LEVEL UP - KIT LEVEL UP



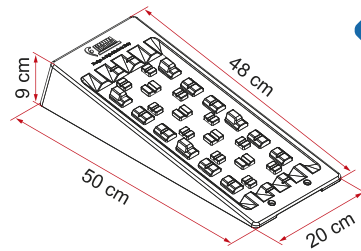
## LEVEL PRO



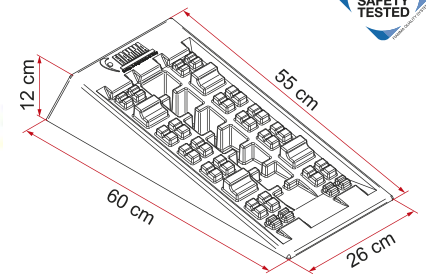




## LEVEL SYSTEM MAGNUM



## LEVEL SYSTEM JUMBO



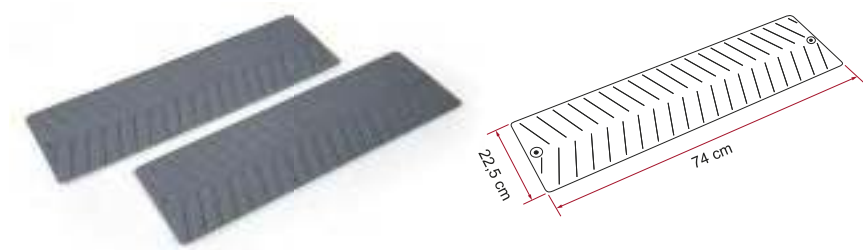
Description	Colour	Levels	Overlapping	Item No.	EAN code
Kit Level Up Premium	grey	3	no	97901-058	8004815374044
Kit Level Up Premium S	grey	3	no	97901-062	8004815412708
Level Up	grey	3	no	97901-038	8004815313234
Kit Level Up	grey	2	no	97901-052	8004815313241
Level Pro	grey	-	yes	97901-011	8004815313197
Level System Magnum	yellow	-	yes	97901-015	8004815041267
Level System Jumbo	yellow	-	yes	97901-016	8004815129576

Description	Weight	Max axle weight	Compatible vehicles				
Kit Level Up Premium	3,7 kg each	5,0 t	•				
Kit Level Up Premium S	2,3 kg each	5,0 t	•		•		
Level Up	1,45 kg each	5,0 t	•		•	•	•
Kit Level Up	1,45 kg each	5,0 t	•		•	•	•
Kit Level Up Jumbo	1,75 kg each	8,0 t	•		•		•
Level Pro	0,8 kg each	5,0 t		•		•	
Level System Magnum	1,3 kg each	8,0 t	•	•	•	•	•
Level System Jumbo	2,9 kg each	12,0 t	•				

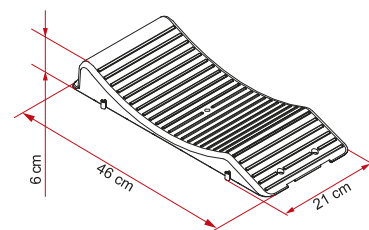
• Suitable for



### GRIP SYSTEM



### WHEEL SAVER



System of cradles that avoids ovalization of the tyres, suitable for wheels up to 70 cm in diameter.

Description	Colour	Weight	Item No.	EAN code
Grip System	grey	0,4 kg each	97901-055	8004815313272
Wheel Saver	grey	0,4 kg each	97901-013	8004815313210

Description	Compatible vehicles				
Grip System	•				
Wheel Saver	•	•	•	•	•

• Suitable for

### LEVEL BAG / S

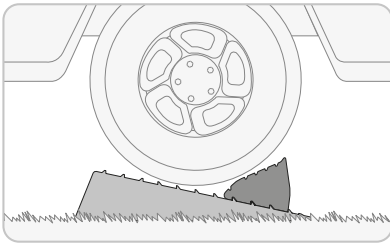
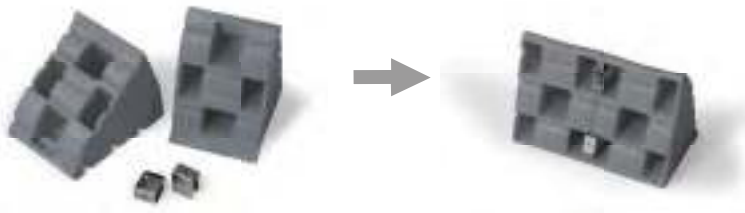


Description	Item No.	EAN code
Level Bag	05950A02B	8004815402235
Level Bag S	05950B02B	8004815402242

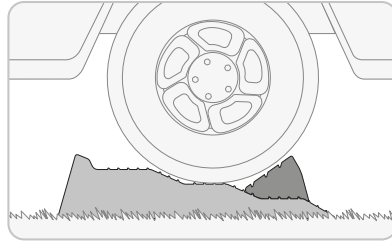
Description	Level Up	Kit Level Up	Kit Level Up Jumbo	Level Pro	Level System Magnum	Level System Jumbo	Wheel Saver
Level Bag	•	•	•				
Level Bag S				•	•		•

• Standard      • Optional

### CHOCK LEVEL

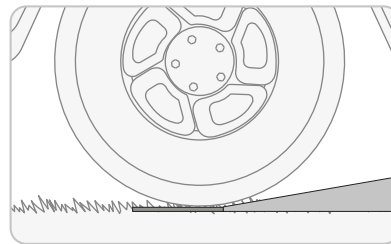


Level Pro (97901-011)  
Level System Magnum (97901-015)

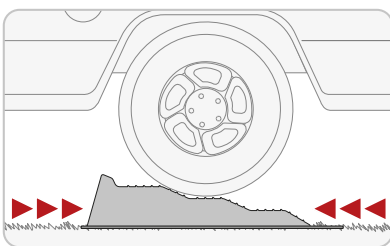


Level Up (97901-038)

### ANTI SLIP PLATE



### LEVEL PLATE



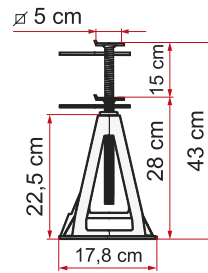
Description	Weight	Item No.	EAN code
Chock Level	0,1 kg	97901-037	8004815313227
Anti Slip Plate	0,1 kg	97901-012	8004815313203
Level Plate	0,3 kg	97901-041	8004815280598

Description	Level Up	Level Up Jumbo	Level Pro	Level System Magnum	Level System Jumbo	Wheel Saver
Chock Level	•		•	•		
Anti Slip Plate	•	•	•	•		•
Level Plate	•					

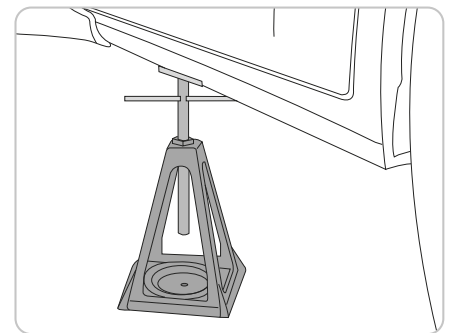
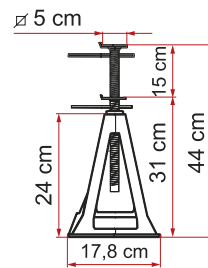
• Suitable for



## ALU JACKS

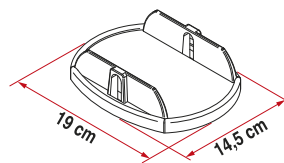
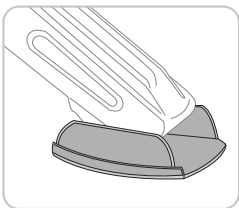


## PLASTIC JACKS

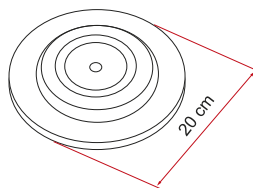
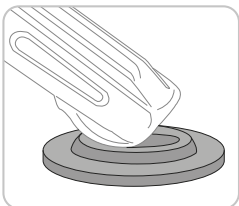


Description	Weight	Max load each	Colour	Item No.	EAN code
Alu Jacks	0,9 kg each	1000 kg	aluminium	00680-01-	8004815000103
Plastic Jacks	0,8 kg each	750 kg	grey	00680C01G	8004815313296

## PLATES PRO

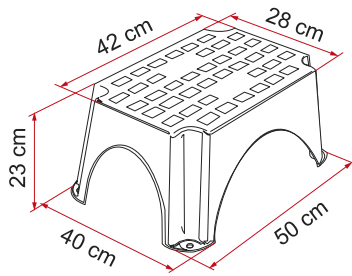


## PLATES

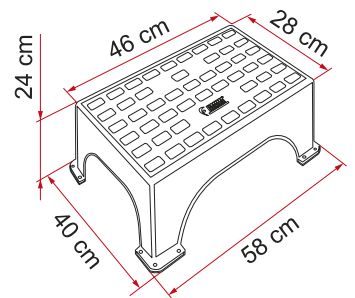


Description	Weight	Colour	Item No.	EAN code
Plates Pro	0,2 kg each	grey	97901-057	8004815313623
Plates	0,2 kg each	grey	97901-056	8004815313289

**STEP**



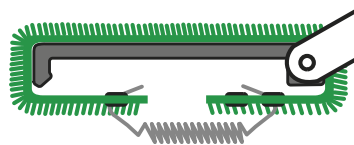
**STEP MAGNUM**



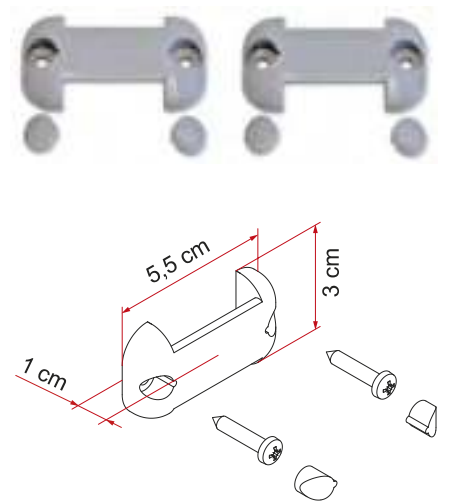
**STEP-MAT**



**CLEAN STEP**



Description	Weight	Colour	Item No.	EAN code
Step	1,0 kg	grey	02950-01-	8004815010010
Step Magnum	1,3 kg	grey	04630-01-	8004815160197
Step-Mat	0,4 kg	black	06373-01-	8004815284428
Step-Mat Magnum	0,5 kg	black	06374-01-	8004815284435
Clean Step Green	0,2 kg	green	04593-01-	8004815156725
Clean Step Black	0,2 kg	black	04593-01A	8004815260477

**PACK ORGANIZER L****PACK ORGANIZER S****PACK ORGANIZER TOILETRY****PACK ORGANIZER SEAT****PACK ORGANIZER SHOES****FIX ORGANIZER**

Description	Weight	Dimensions	Number of pockets	Triple Fixing	Function	Item No.	EAN code
Pack Organizer L	0,5 kg	88x39 cm	6	•	For little objects	07512A01-	8004815349639
Pack Organizer S	0,4 kg	50x84 cm	11	•	For little objects	07512-01-	8004815349622
Pack Organizer Toiletry	0,6 kg	30x37x11 cm 30x118x11 cm	10		Container for bathroom fittings	07515-01-	8004815349660
Pack Organizer Seat	0,3 kg	43x66x2 cm	4		To hang up on the rear part of the seats of your vehicle	07514-01-	8004815349653
Pack Organizer Shoes	1,1 kg	84x54x2 cm	10	•	Container for shoes	07513-01-	8004815349646
Fix Organizer	0,1 kg	5,5x3x1 cm	-			98655-163	8004815257040

**PACK WASTE**



**CARRY-DOG**



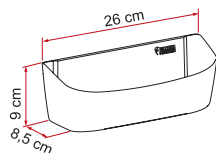
**PACK ORGANIZER BOX**



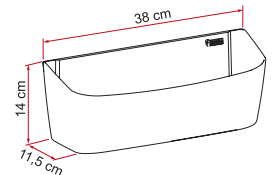
Description	Weight	Colour	Dimensions open	Dimensions closed	Item No.	EAN code
Pack Waste	1,7 kg	grey/black	29,5x29,5x42 cm	29,5x29,5x4,2 cm	08202-01-	8004815403720
Carry-Dog	2,8 kg	grey/black	75x55x49 cm	78x55x4 cm	08201-01-	8004815403683
Pack Organizer Box	2,8 kg	grey/black	60x36x31 cm	36x31x6cm	08207-01-	8004815404048

# Pocket

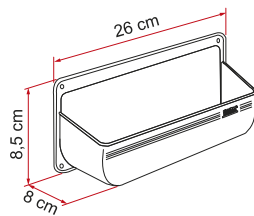
**POCKET PLUS M**



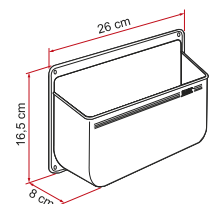
**POCKET PLUS L**



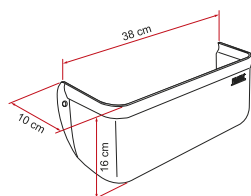
**POCKET M**



**POCKET L**



**POCKET XL**



Description	Weight	Colour	Item No.	EAN code
Pocket Plus M	0,1 kg	grey	08309-01-	8004815411626
Pocket Plus L	0,4 kg	grey	08308-01-	8004815411619
Pocket M	0,1 kg	white	03177-01-	8004815041212
Pocket L	0,1 kg	white	03178-01-	8004815041229
Pocket XL	0,3 kg	grey	03284-01-	8004815037635



## PRELIMINARY CHECKS



- Before installation, ensure compatibility with the vehicle on which the product must be installed.
- Checking that the roof is sufficiently solid and suitable for guaranteeing the resistance of the anchoring points is always mandatory. If not, fixing and compliance with the maximum load indicated in the instructions are not guaranteed and it will be necessary to reinforce it.

### ADAPTABILITY OF VEHICLES



## WARNINGS



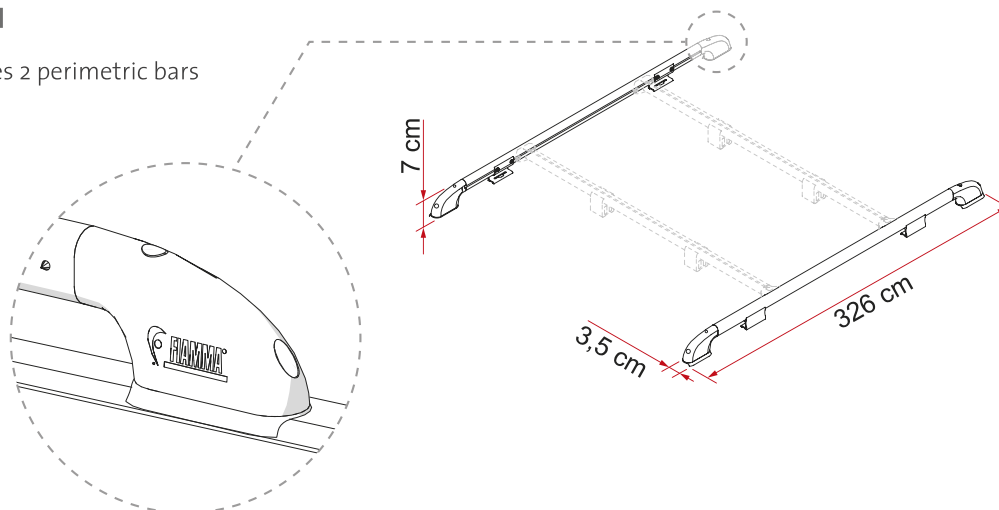
- Only use sealants that are suitable for the materials concerned.
- Distribute the weight on a “large” surface, as far as possible from the center and as close as possible from the brackets.
- Always comply with speed limits and the Highway Code. The speed should always be suitable to traffic conditions and transported load

# Roof Rail



## GENERAL INFORMATION

- Luggage carrier system comprises 2 perimetric bars
- Material:  
anodized aluminium



Description	Weight	Max load	Item No.	EAN code
Roof Rail	4,7 kg	80 kg	05516-01-	8004815219116

### + ACCESSORIES

- Fixing-bar Rail

Installation



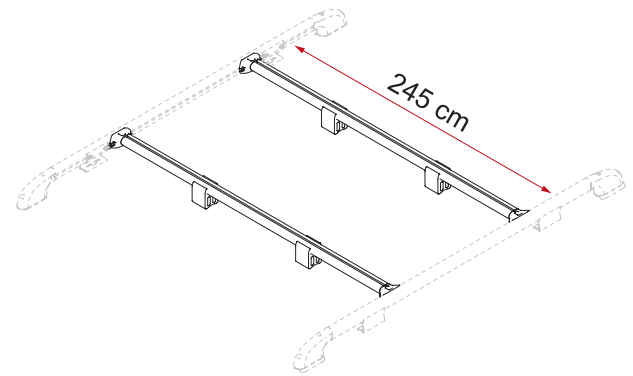




# Fixing-Bar Rail

## GENERAL INFORMATION

- Aluminium carry-all bar, it can be easily used with Roof Rail without drilling the vehicle.
- Material:  
anodized aluminium



## DELIVERED AS STANDARD WITH:

- 2x bars
- 4x fixing terminals in aluminium pressure die-casting
- 4x rubber spacers

Description	Weight	Max load	Item No.	EAN code
Fixing - Bar Rail	3,4 kg	80 kg	98655-075	8004815131968

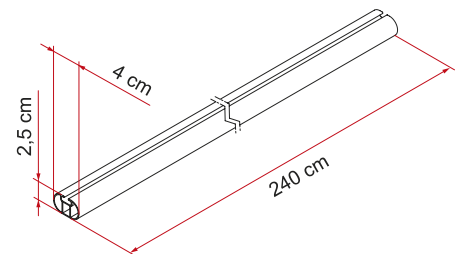
Installation



# Fixing-Bar Pro L

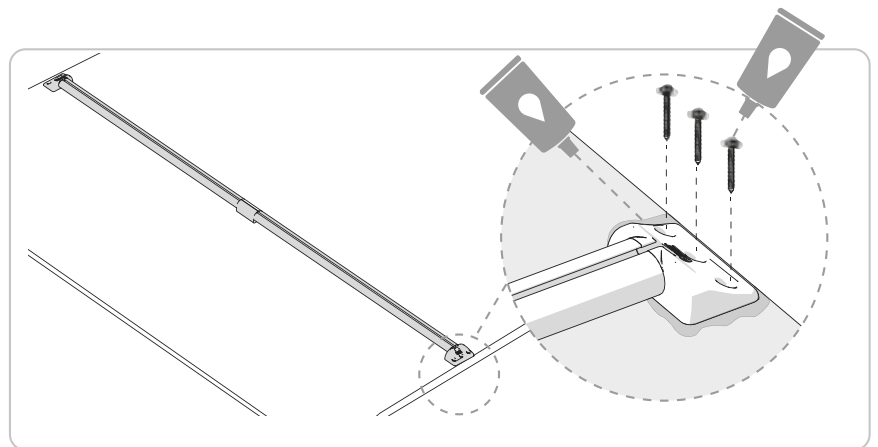
## GENERAL INFORMATION

- Aluminium carry-all bar easily to shorten
- Material:  
anodized aluminium



## DELIVERED AS STANDARD WITH:

- 1x bar
- 2x white end caps
- 1x rubber spacer



Installation



Description	Weight	Max load	Item No.	EAN code
Fixing - Bar Pro L	1,5 kg	80 kg	98655-295	8004815208417

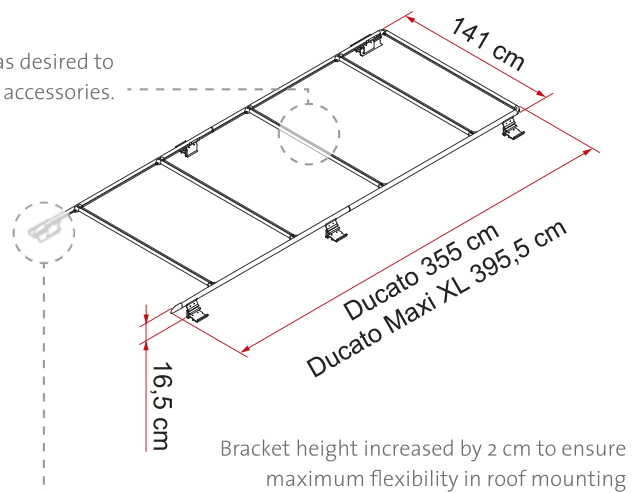


# Roof Rail Ducato H2

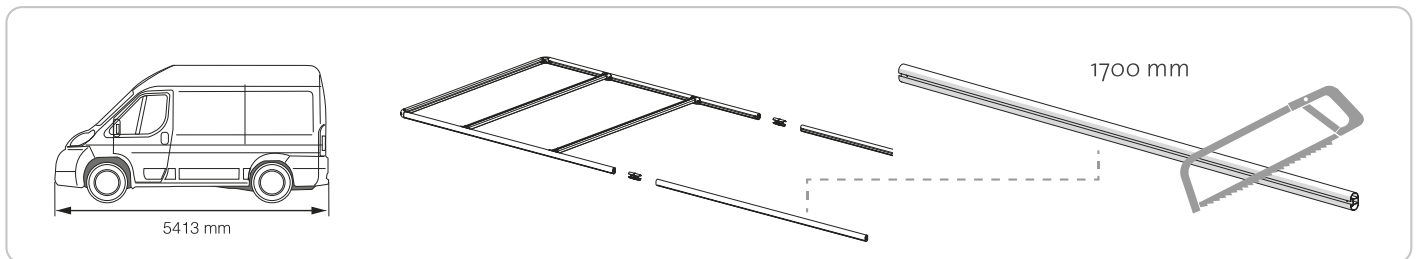
## GENERAL INFORMATION

- Installation without drilling the vehicle
- Material:  
anodized aluminium
- Suitable for:  
Fiat Ducato, Citroën Jumper, Peugeot Boxer (>06/2006)
- Roof Rail Ducato: roof H2 - length L2  
roof H2 - length L3
- Roof Rail Ducato Maxi XL: roof H2 - length L4
- Allows the installation of the awning F80s/F65s

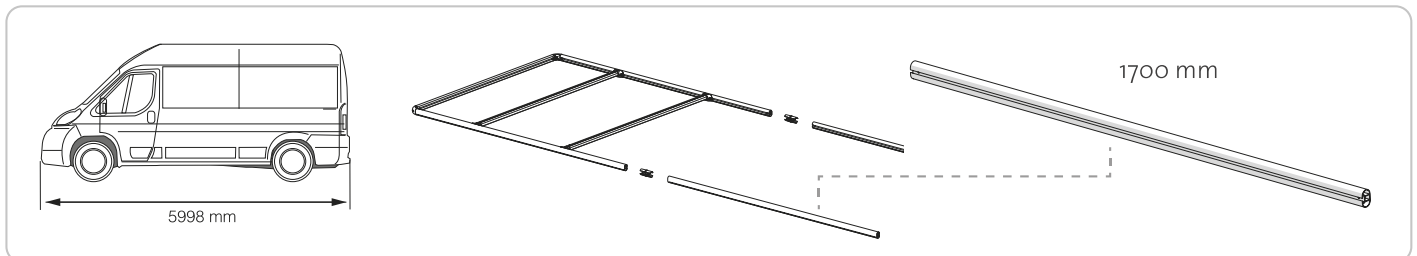
Crossbars can be positioned as desired to avoid contact with other accessories.



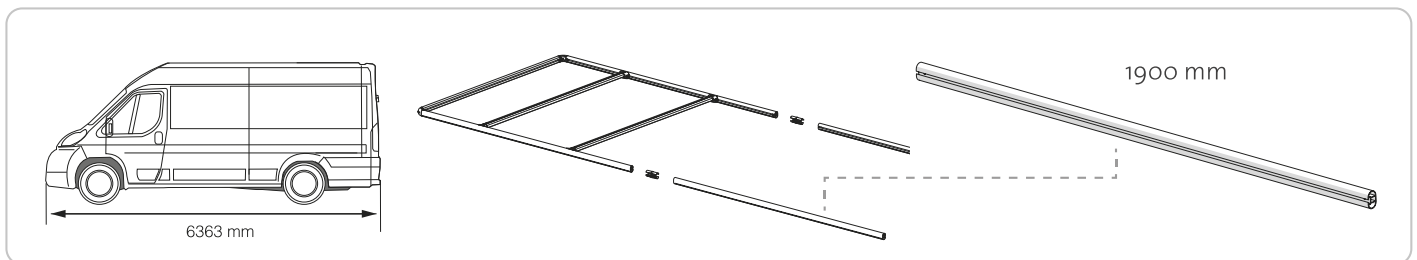
## DUCATO H2 L2



## DUCATO H2 L3



## DUCATO MAXI XL H2 L4



Description	Weight	Max load	Item No.	EAN code
Roof Rail Ducato	12,0 kg	150 kg	05808-01-	8004815249151
Roof Rail Ducato Deep Black	12,0 kg	150 kg	05808A01A	8004815410865
Roof Rail Ducato Maxi XL	13,5 kg	150 kg	05808-02-	8004815300197

### + ACCESSORIES

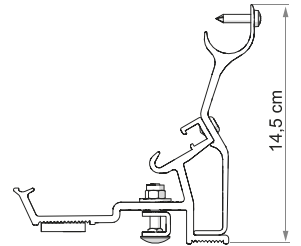
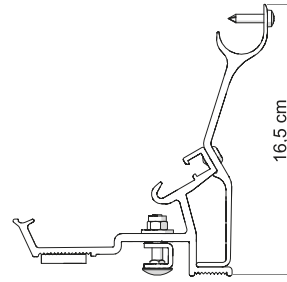
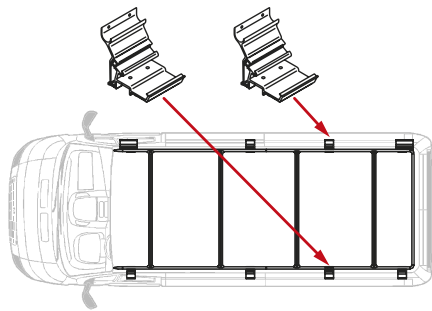
- Deluxe DJ Ducato
- Kit Roof Rail Ducato Extra
- Kit Roof Rail Ducato Extra Cover
- Kit Roof Rail Ducato
- Cover Left / Right
- Roller Roof Rail
- Ultra-Box 2
- Ultra-Box 3

Installation



### KIT ROOF RAIL DUCATO EXTRA

Additional brackets for Roof Rail Ducato / Ducato Maxi XL

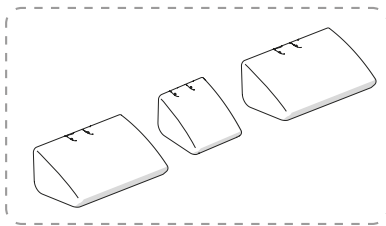


Description	Weight	Item No.	EAN code
Kit Roof Rail Ducato Extra 16,5 cm	0,1 kg	98658-066	8004815269821
Kit Roof Rail Ducato Extra 14,5 cm		98658-097	8004815416232

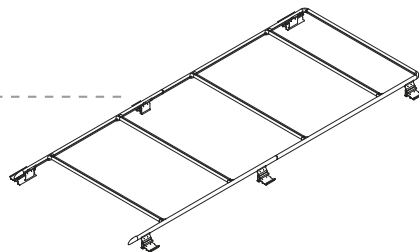
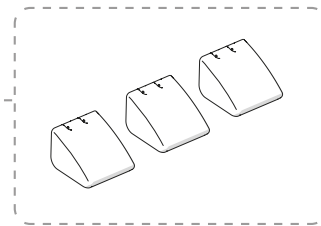
### KIT ROOF RAIL DUCATO COVER

Roof Rail Ducato / Ducato Maxi XL covers

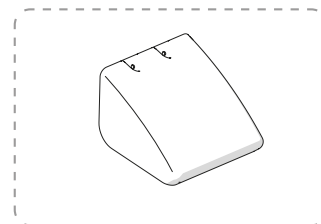
Kit Roof Rail Ducato Cover Right



Kit Roof Rail Ducato Cover Left



Kit Roof Rail Ducato Extra Cover



Description	Weight	Item No.	EAN code
Kit Roof Rail Ducato Extra Cover	0,1 kg	98658-103	8004815414733
Kit Roof Rail Ducato Cover Left		98658-101	8004815414719
Kit Roof Rail Ducato Cover Right		98658-102	8004815414726

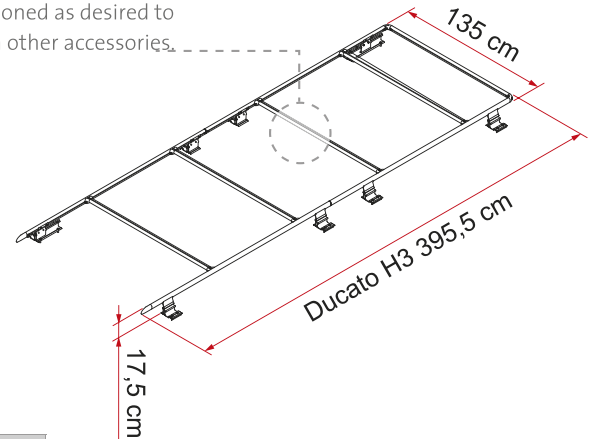


# Roof Rail Ducato H3

## GENERAL INFORMATION

- Installation without drilling the vehicle
- Material:  
anodized aluminium
- Suitable for:  
Fiat Ducato, Citroën Jumper, Peugeot Boxer (>06/2006)
- Allows the installation of the awning F65s

Crossbars can be positioned as desired to avoid contact with other accessories.



Description	Weight	Max load	Item No.	EAN code
Roof Rail Ducato H3	14,2 kg	150 kg	05808-03-	8004815326074

### + ACCESSORIES

- Deluxe DJ Ducato H3
- Kit Roof Rail Ducato
- Ultra-Box 3
- Roller Roof Rail
- Extra Ultra-Box 2

Installation



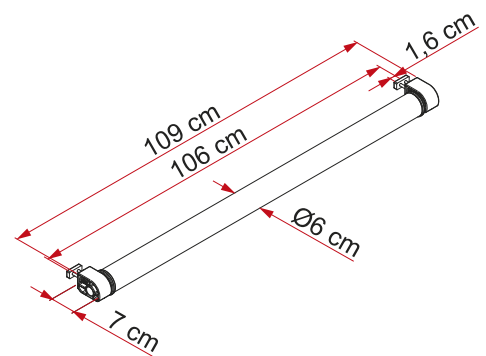
# Roller Roof Rail



Luggage rail loading roller for Ducato Roof Rail, Ducato Maxi XL Roof Rail and all commercial luggage rails (excluding round profile rails).



Not recommended for vehicles equipped with rear camera.



Installation



Description	Weight	Max load	Item No.	EAN code
Roller Roof Rail	1,5 kg	100 kg	06876-01-	8004815312428

### PRELIMINARY CHECKS



- Before installation, ensure compatibility with the vehicle on which the product must be installed.
- Checking that the wall/rear door is sufficiently solid and suitable for guaranteeing the resistance of the anchoring points is always mandatory. If not, fixing and compliance with the maximum load indicated in the instructions are not guaranteed and it will be necessary to reinforce it.

### WARNINGS



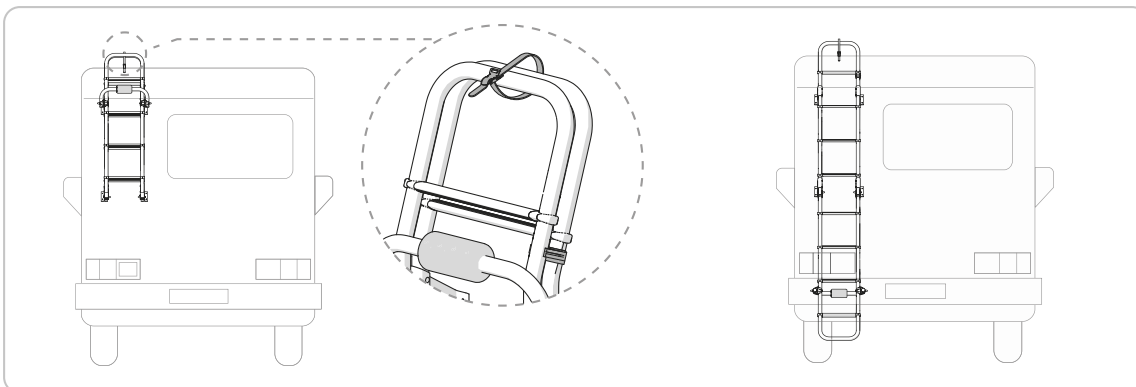
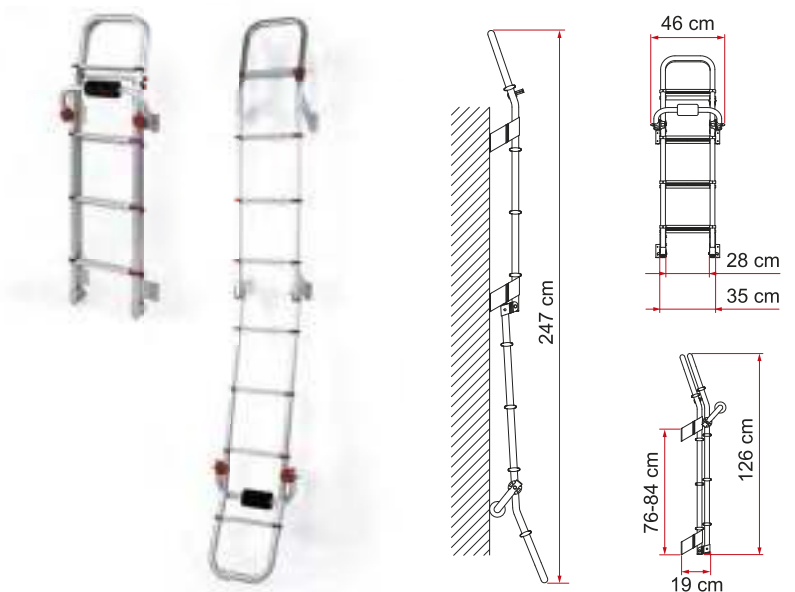
- Only use sealants that are suitable for the materials concerned.
- Always comply with speed limits and the Highway Code. The speed should always be suitable to traffic conditions and transported load.
- Check periodically the ladder to make sure it is firmly attached, especially during the first kilometers of after long trips to avoid damages of the product/vehicle.

## Deluxe 8



### GENERAL INFORMATION

- Inner width: 28cm
- Total step width: 35cm
- Tubes:  $\phi$  30mm
- Material: anodized aluminium



Installation



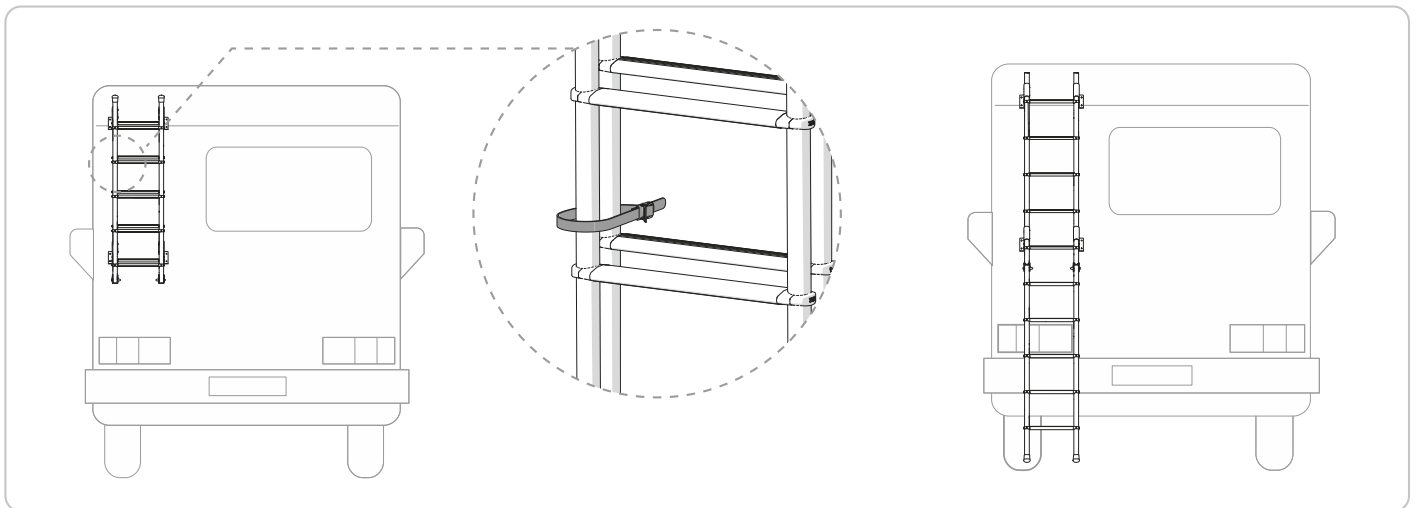
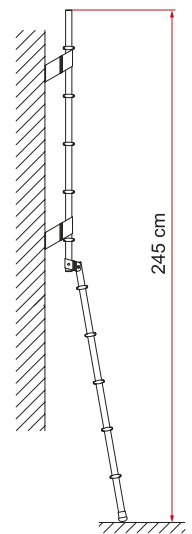
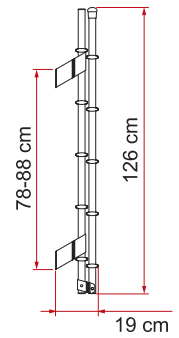
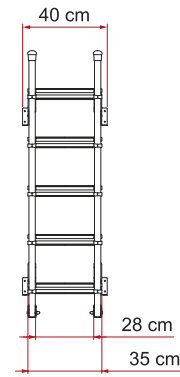
Description	Weight	Max load	Number of steps	Folding	Item No.	EAN code
Deluxe 8	5,5 kg	100 kg	8	•	02426-02-	8004815202538



# Deluxe 5D

## GENERAL INFORMATION

- Inner width: 28cm
- Total step width: 35cm
- Tubes:  $\varnothing$  30mm
- Material:  
anodized aluminium



Description	Weight	Max load	Number of steps	Folding	Item No.	EAN code
Deluxe 5D	4,9 kg	100 kg	10	•	02426-08-	8004815207748

Installation





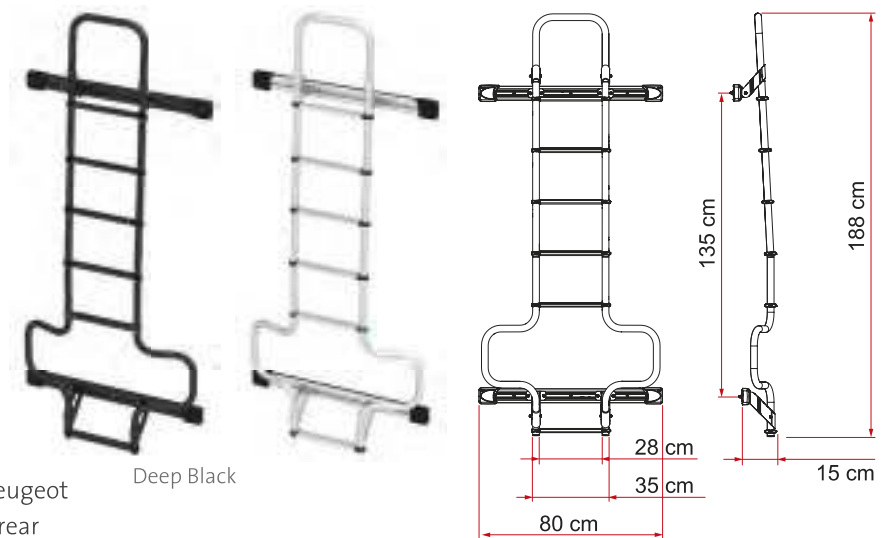
# Deluxe DJ Ducato H2

## GENERAL INFORMATION

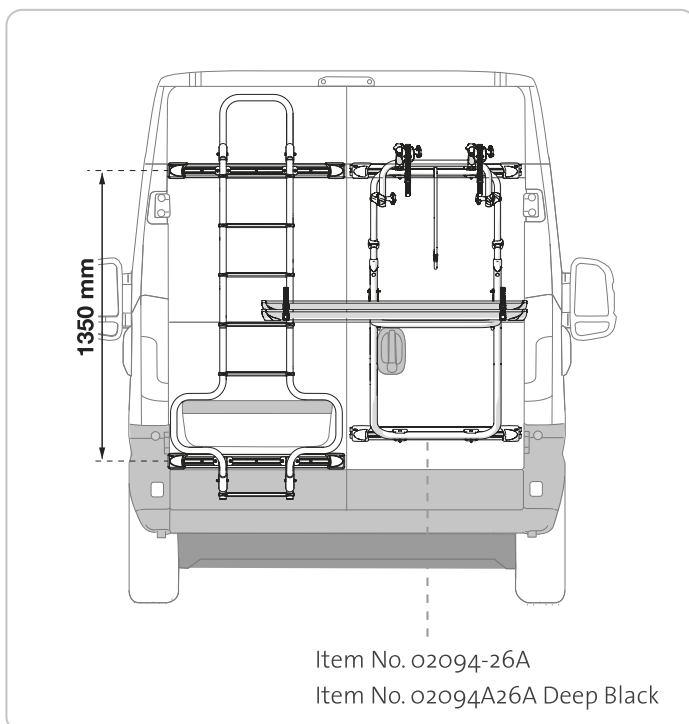
- Inner width: 28cm
- Total step width: 35cm
- Tubes:  $\varnothing$  30mm
- Material:
  - anodized aluminium
  - painted aluminium (Deep Black)
- Suitable for Ducato H1 and H2

## TECHNICAL FEATURES:

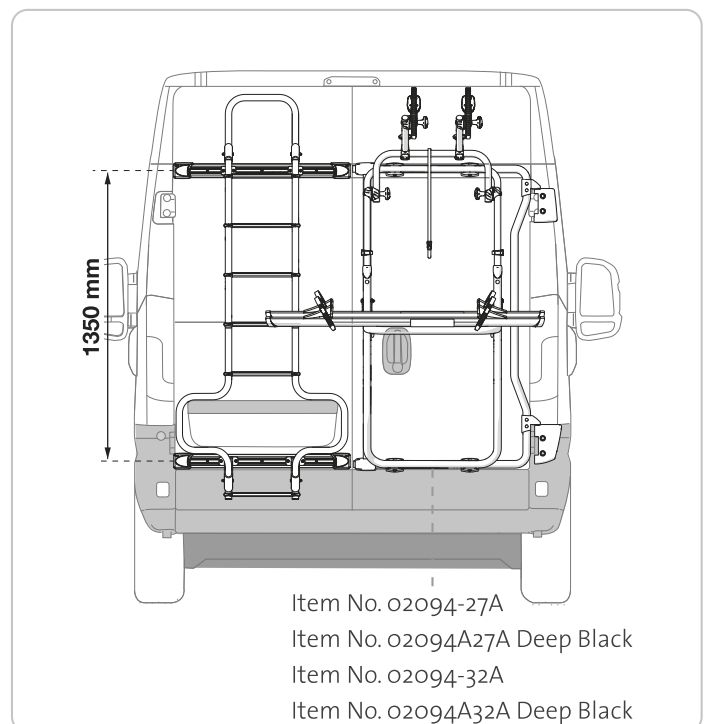
- Supplied with Fixing Bars
- Installation on the left rear door
- Suitable for: Fiat Ducato, Citroën Jumper and Peugeot Boxer after 2006 and Ford Transit with double rear doors after 2006 before 2011.



## COMBINATION WITH CARRY-BIKE 200 DJ DUCATO



## COMBINATION WITH CARRY-BIKE DUCATO FRAME



Description	Weight	Max load	Number of steps	Folding	Item No.	EAN code
Deluxe DJ Ducato	6,5 kg	100 kg	6	-	02426-09A	8004815400767
Deluxe DJ Ducato Deep Black	6,5 kg	100 kg	6	-	02426A09A	8004815401429

## + ACCESSORIES

- Dust Guard

Installation





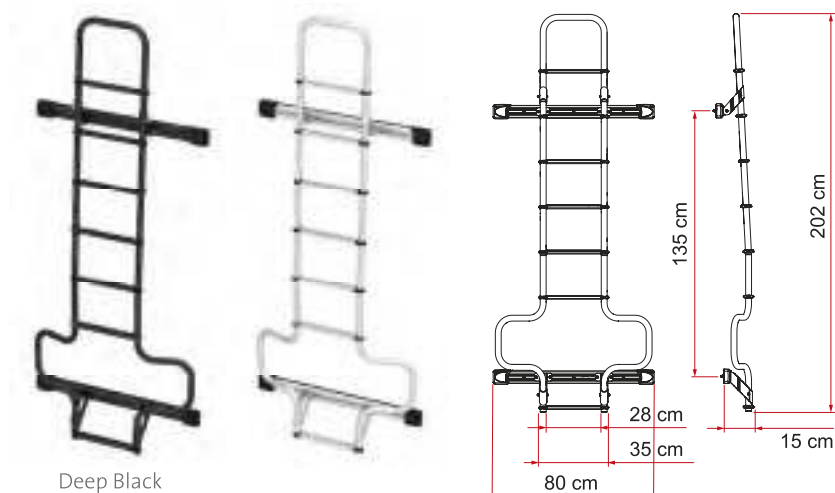
# Deluxe DJ Ducato H3

## GENERAL INFORMATION

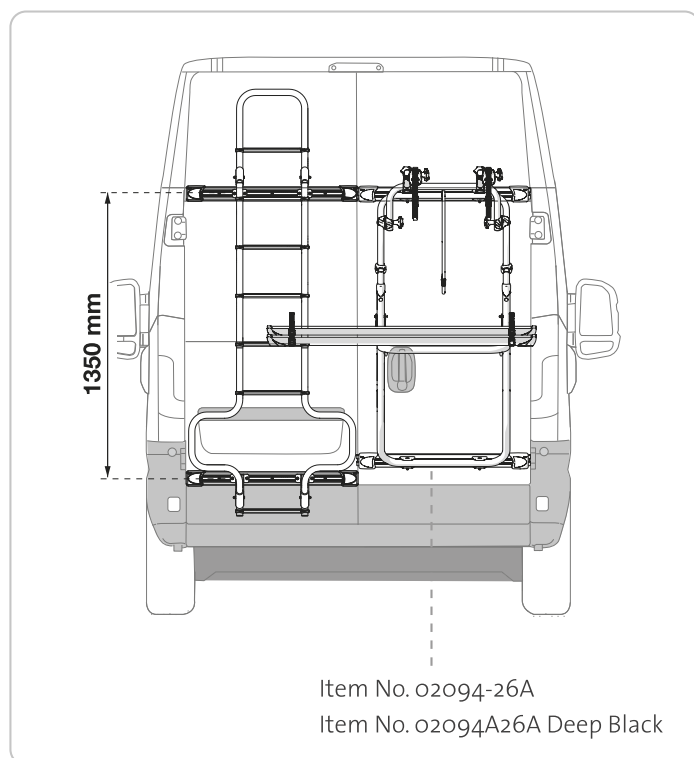
- Inner width: 28cm
- Total step width: 35cm
- Tubes:  $\varnothing$  30mm
- Material:
  - anodized aluminium
  - painted aluminium (Deep Black)

## TECHNICAL FEATURES:

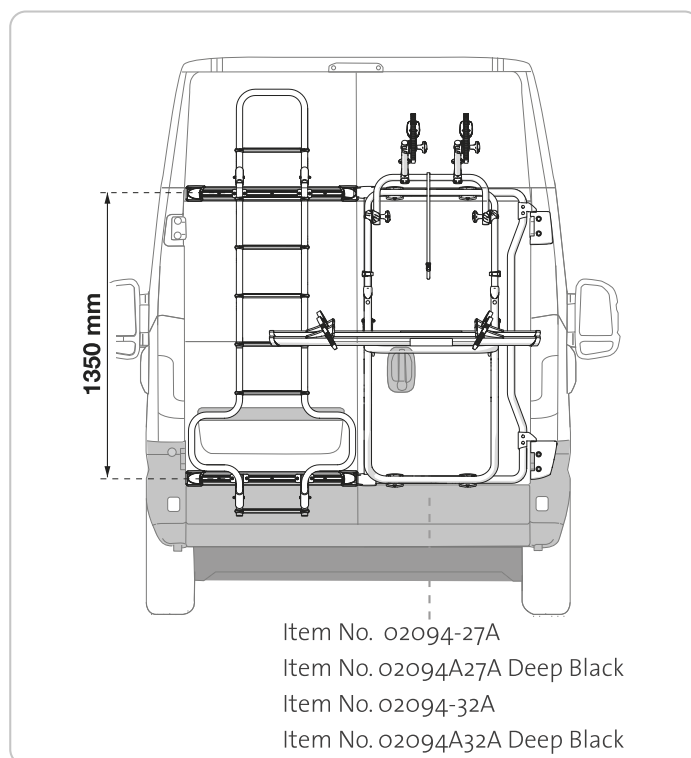
- Supplied with Fixing Bars
- Installation on the left rear door



## COMBINATION WITH CARRY-BIKE 200 DJ DUCATO



## COMBINATION WITH CARRY-BIKE DUCATO FRAME



Description	Weight	Max load	Number of steps	Folding	Item No.	EAN code
Deluxe DJ Ducato H3	6,9 kg	100 kg	7	-	02426-17A	8004815400743
Deluxe DJ Ducato H3 Deep Black	6,9 kg	100 kg	7	-	02426A17A	8004815401412

## + ACCESSORIES

- Dust Guard

Installation







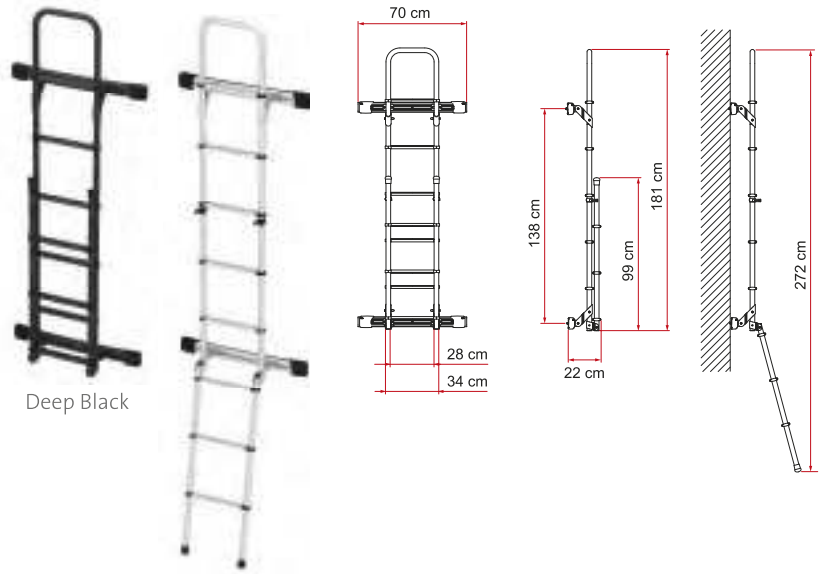
# Deluxe Sprinter H2

## GENERAL INFORMATION

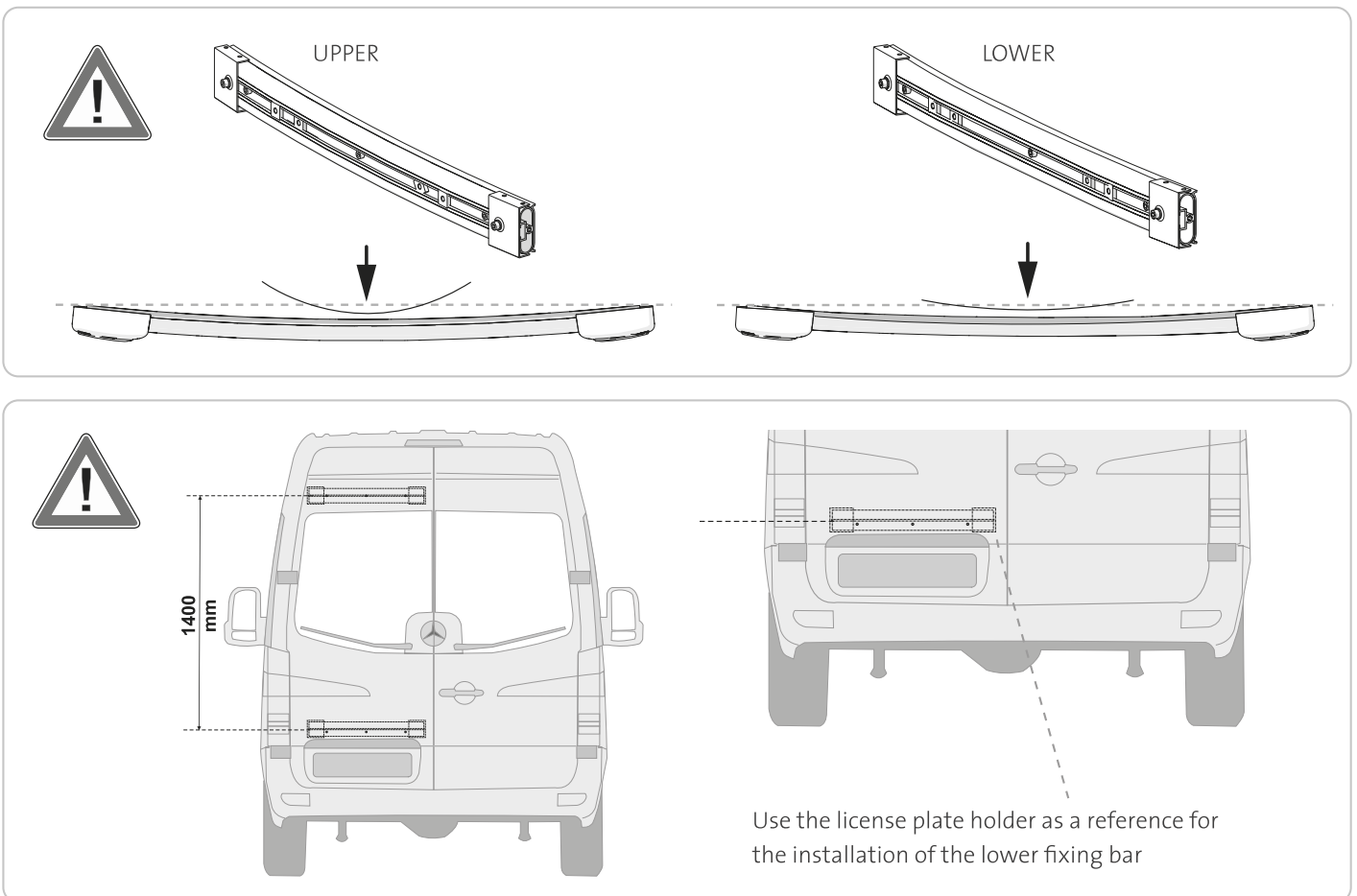
- Inner width: 28cm
- Total step width: 35cm
- Tubes:  $\varnothing$  30mm
- Material:
  - anodized aluminium
  - painted aluminium (Deep Black)

## TECHNICAL FEATURES

- The structure can be folded up
- Suitable also for VW Crafter H2 (<2016)



## INDICATIONS OF FIXING BARS



Description	Weight	Max load	Number of steps	Folding	Item No.	EAN code
Deluxe Sprinter	7,0 kg	100 kg	8	•	02426-19A	8004815400750
Deluxe Sprinter Deep Black	7,0 kg	100 kg	8	•	02426A19A	8004815401405

Installation





# Deluxe 4B

## GENERAL INFORMATION

- Inner width: 28cm
- Total step width: 35cm
- Tubes:  $\varnothing$  30mm
- Material:  
anodized aluminium

## TECHNICAL FEATURES

- Ladders for the inside of luton overcab models of motorcaravan or caravans with bunks
- Handy nylon hooks to hold in position
- Inclination of the steps by  $15^\circ$



Description	Weight	Number of steps	Max load	Item No.	EAN code
Deluxe 4B	2,4 kg	4	150 kg	02426-12-	8004815256647

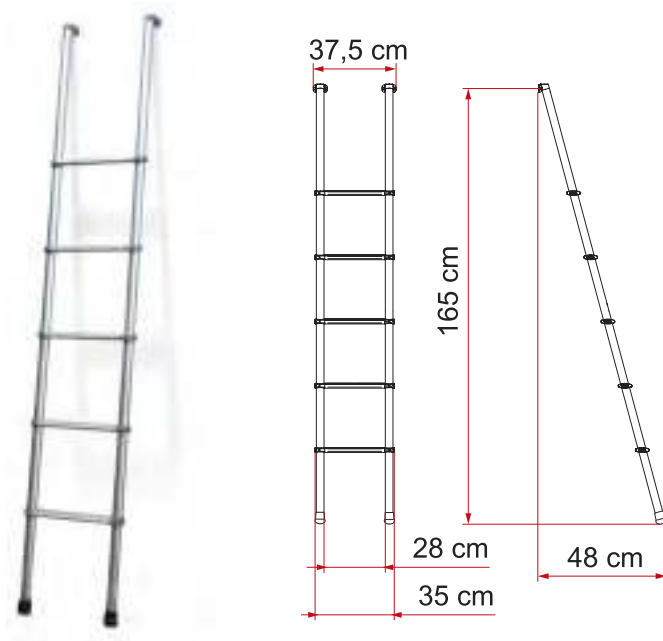
# Deluxe 5B

## GENERAL INFORMATION

- Inner width: 28cm
- Total step width: 35cm
- Tubes:  $\varnothing$  30mm
- Material:  
anodized aluminium

## TECHNICAL FEATURES

- Ladders for the inside of luton overcab models of motorcaravan or caravans with bunks
- Handy nylon hooks to hold in position
- Inclination of the steps by  $15^\circ$



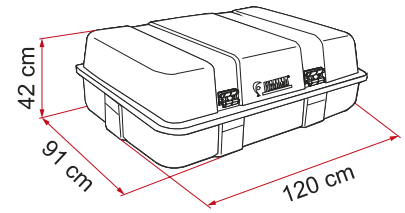
Description	Weight	Number of steps	Max load	Item No.	EAN code
Deluxe 5B	2,6 kg	5	150 kg	02426-13-	8004815256654



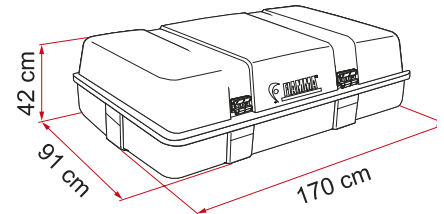
# Ultra-Box

## GENERAL INFORMATION

- The superior roof boxes for motorhome
- Material: ABS
- Highly resistant to impacts and weather conditions, with high-thickness UV protection to prevent deterioration of quality
- Complete with installation brackets and rust-proof stainless steel hinges



Ultra-Box 2



Ultra-Box 3

Description	Volume	External dimensions	Internal dimensions	Weight	Item No.	EAN code
Ultra-Box 2	400 l	120x91x42 cm	107,5x77,5x37,5 cm	13 kg	02084-01-	8004815017996
Ultra-Box 3	520 l	170x91x42 cm	155x77,5x37,5 cm	17 kg	02085-01-	8004815018030



Installation





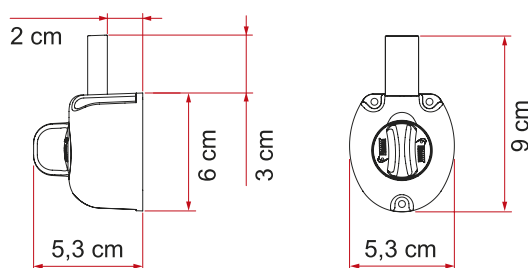
# Safe Door Guardian

## GENERAL INFORMATION

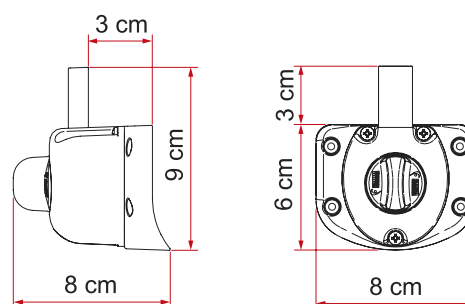
- Security block designed to be placed on the inside of the door or the garage of the motorhome or caravan
- Material: aluminium
- It is installed instead of the standard plastic security blocks, in the same position
- Suitable for doors without folding blind



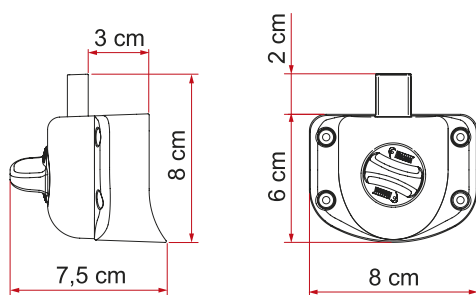
### Safe Door Guardian Standard



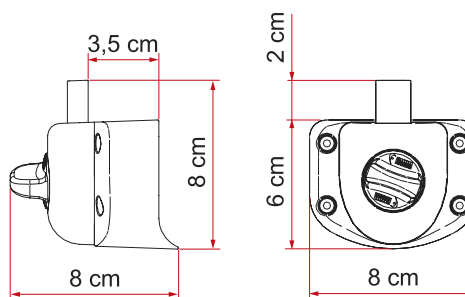
### Safe Door Guardian Ducato > 09/2009



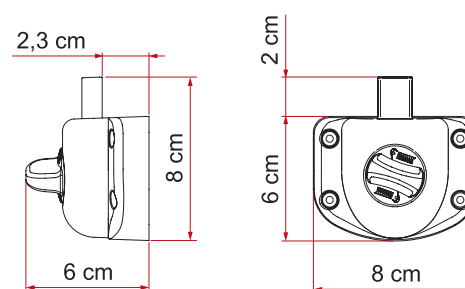
### Safe Door Guardian Ducato < 06/2006 > 09/2009



### Safe Door Guardian Transit < 06/2006 > 2014



### Safe Door Guardian Transit < 06/2006



Description	Weight	Item No.	EAN Code
Safe Door Guardian	0,3 kg	05388-01-	8004815206031
Safe Door Guardian Ducato after 09/2009	0,4 kg	05388-07-	8004815282646
Safe Door Guardian Ducato from 06/2006 to 09/2009	0,4 kg	05388-04-	8004815236090
Safe Door Guardian Transit from 06/2006 al 2014	0,4 kg	05388-05-	8004815271084
Safe Door Guardian Transit before 06/2006	0,4 kg	05388-03-	8004815218737



# Safe Door

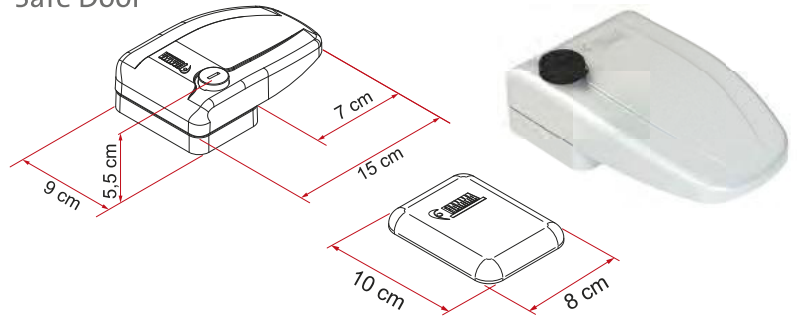
## GENERAL INFORMATION

- Locks
- Safe Door: wall fixing with 4 through screws, with bolts and internal counterbrackets
- Safe Door Frame: installation on the side frame of the door or garage compartment with 3 self-tapping screws

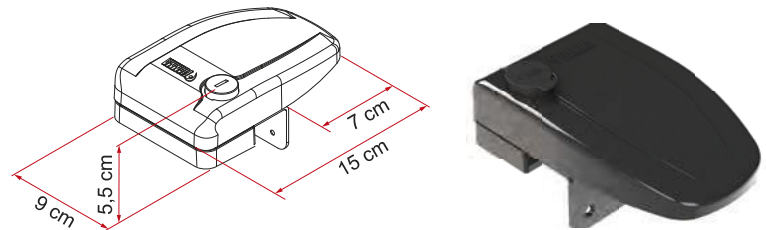
### COLOURS:

- White
- Grey
- Black

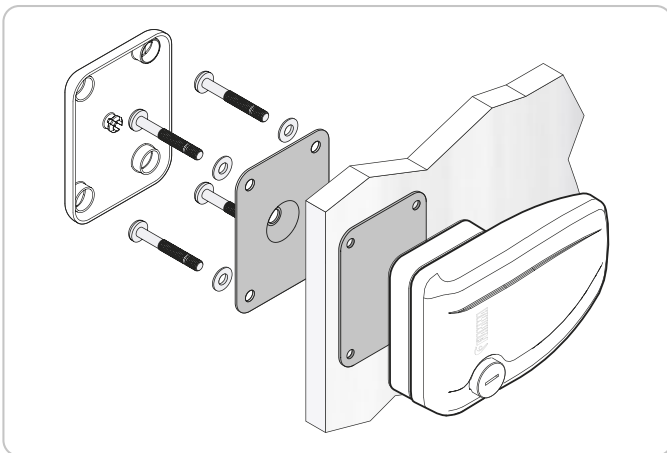
Safe Door



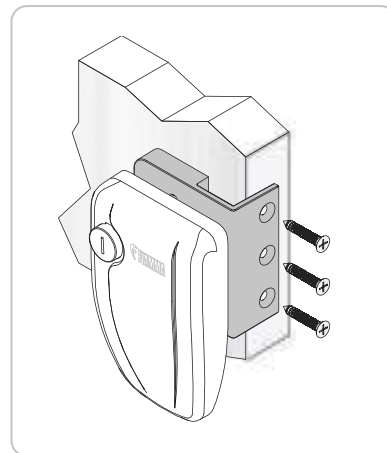
Safe Door Frame



## SAFE DOOR



## SAFE DOOR FRAME



Description	Weight	Colours	Door side frame	Item No.	EAN code
Safe Door	0,6 kg	white		08021-01-	8004815386351
Safe Door	0,6 kg	grey		08021-01G	8004815386375
Safe Door	0,6 kg	black		08021-01A	8004815386368
Safe Door 3*	1,7 kg	white		08021-02-	8004815386382
Safe Door 3*	1,7 kg	grey		08021-02G	8004815386405
Safe Door 3*	1,7 kg	black		08021-02A	8004815386399
Safe Door Frame	0,5 kg	white	•	08022-01-	8004815386412
Safe Door Frame	0,5 kg	grey	•	08022-01G	8004815386436
Safe Door Frame	0,5 kg	black	•	08022-01A	8004815386429
Safe Door Frame 3*	1,5 kg	white	•	08022-02-	8004815386443
Safe Door Frame 3*	1,5 kg	grey	•	08022-02G	8004815386467
Safe Door Frame 3*	1,5 kg	black	•	08022-02A	8004815386450

\*The version "3" works with the One Key System: it is composed of three pieces of Safe Door or Safe Door Frame using the same key.



# Safe Door Magnum

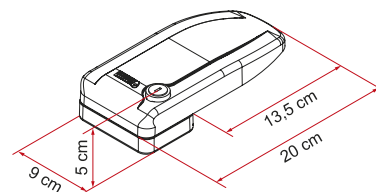
## GENERAL INFORMATION

- Locks
- Safe Door Magnum: length extended to 20cm in order to cover the locks of the camper doors.
- Safe Door Magnum Frame: Installed on the inside profile of the door with two self-threading screws. Length extended to 20cm in order to cover the locks of the camper doors.

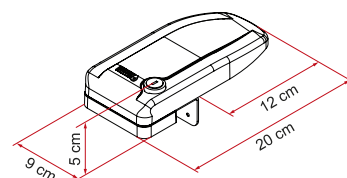
### COLOURS:

White

Safe Door Magnum



Safe Door Magnum Frame

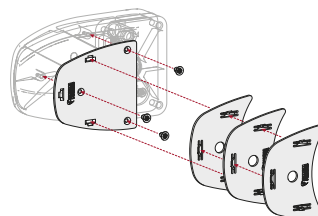


Description	Weight	Colour	Door side frame	Item No.	EAN code
Safe Door Magnum	0,6 kg	white		08277-01-	8004815409432
Safe Door Magnum Frame	0,6 kg	white	•	08277A01-	8004815409449

## KIT SPACER SAFE DOOR WHITE > 2017

Kit of spacers to reduce the gap between motorhome wall and Safe Door

Description	Weight	Colour	Item No.	EAN code
Kit Spacer Safe Door > 2017	0,6 kg	white	08230-01-	8004815405014
		grey	08230-01A	8004815405793
		black	08230-01G	8004815405809

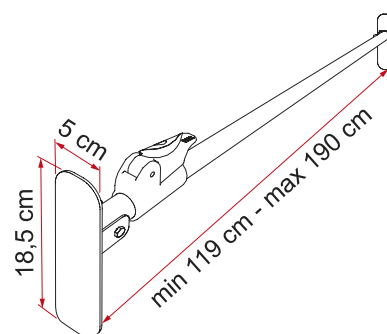


## DUO-SAFE PRO

### GENERAL INFORMATION

- Security system to keep the vehicle cab doors closed from the inside
- Suitable for: iat Ducato, Citroën Jumper, Peugeot Boxer and Renault Master before 06/2006
- Mercedes Sprinter, Fiat Ducato, Renault Master and Ford Transit after 06/2006
- Also suitable for Iveco Daily's cabin

Description	Weight	Colour	Codice	EAN code
Duo-Safe Pro	1 kg	grey	05411-02-	8004815269074





# Security

## GENERAL INFORMATION

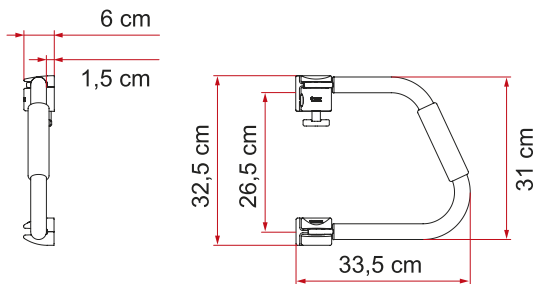
- Security handles
- Foldable against the wall to take up little space
- They adapt to all doors opening both to the right or to the left

## DELIVERED AS STANDARD WITH:

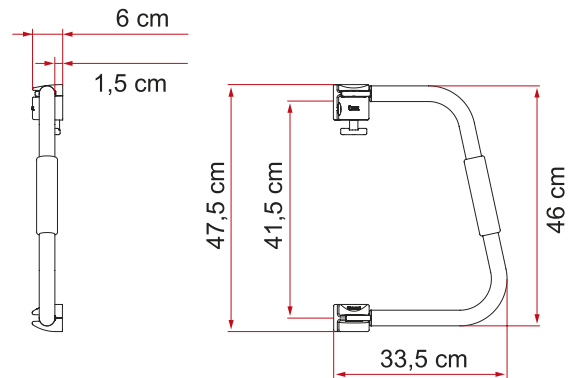
- 1x handle Security
- 1x key lock
- 1x safety hook
- 1x mounting kit with installation brackets, screws and internal counterbrackets
- 1x non-slip handgrip
- 1x anti-slip protective cover for handgrip



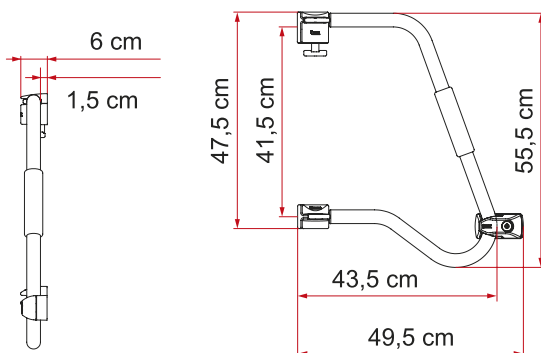
### Security 31



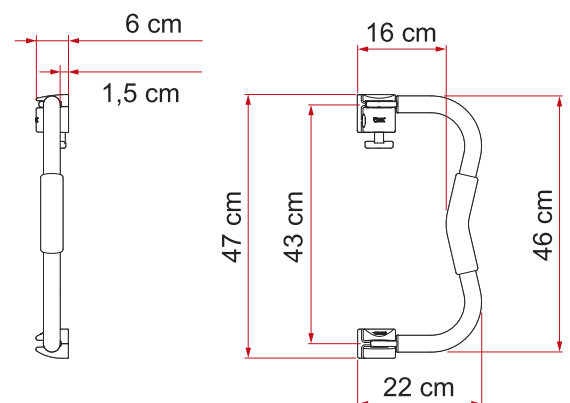
### Security 46



### Security 46 Pro



### Security S



Description	Weight	Colour	Security Lock*	Security Grip*	Item No.	EAN code
Security 31	1,1 kg	white	•	•	03513-01-	8004815030391
Security 46	1,2 kg	white	•	•	03513A01-	8004815058074
Security 46 Pro	1,7 kg	white	•	•	03513-04-	8004815190521
Security S	1,1 kg	white	•	•	03513-05-	8004815334765

\* see page 290

• Standard • Optional

Installation  
Security 46 Pro



Installation  
Security 31-46-S





## KIT SECURITY LOCK

Safety lock kit, delivered as standard with keys and internal brackets.



Description	Weight	Item No.	EAN Code
Kit Security Lock	0,5 kg	98656-433	8004815132101

## SECURITY GRIP

Neoprene anti-slip cover



Description	Weight	Item No.	EAN Code
Security Grip	0,4 kg	07093-01-	8004815323134

## KIT SPACER SECURITY FENDT

Spacer kit for mounting Security on Fendt caravans



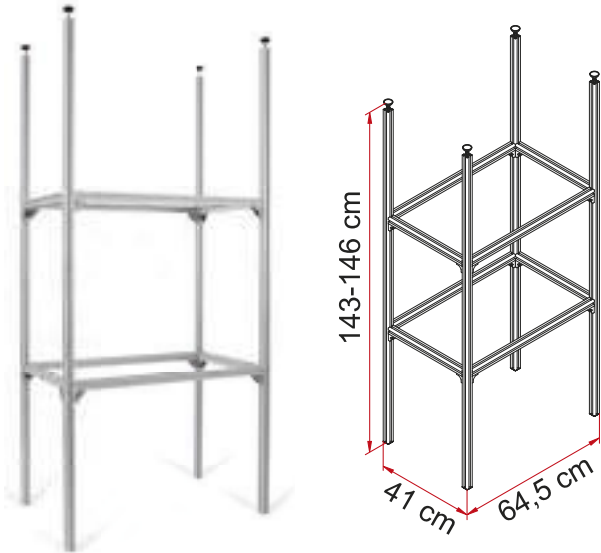
Description	Weight	Item No.	EAN Code
Kit Spacer Security Fendt	0,2 kg	08101-01-	8004815397548



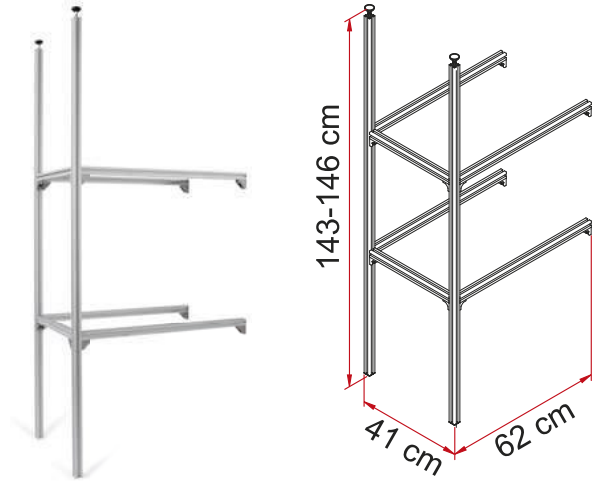


# Garage

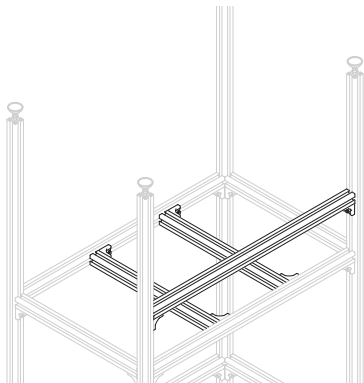
## GARAGE SYSTEM STANDARD



## GARAGE SYSTEM UPGRADE



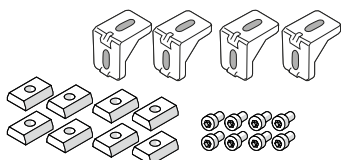
## GARAGE SYSTEM SUPPORT

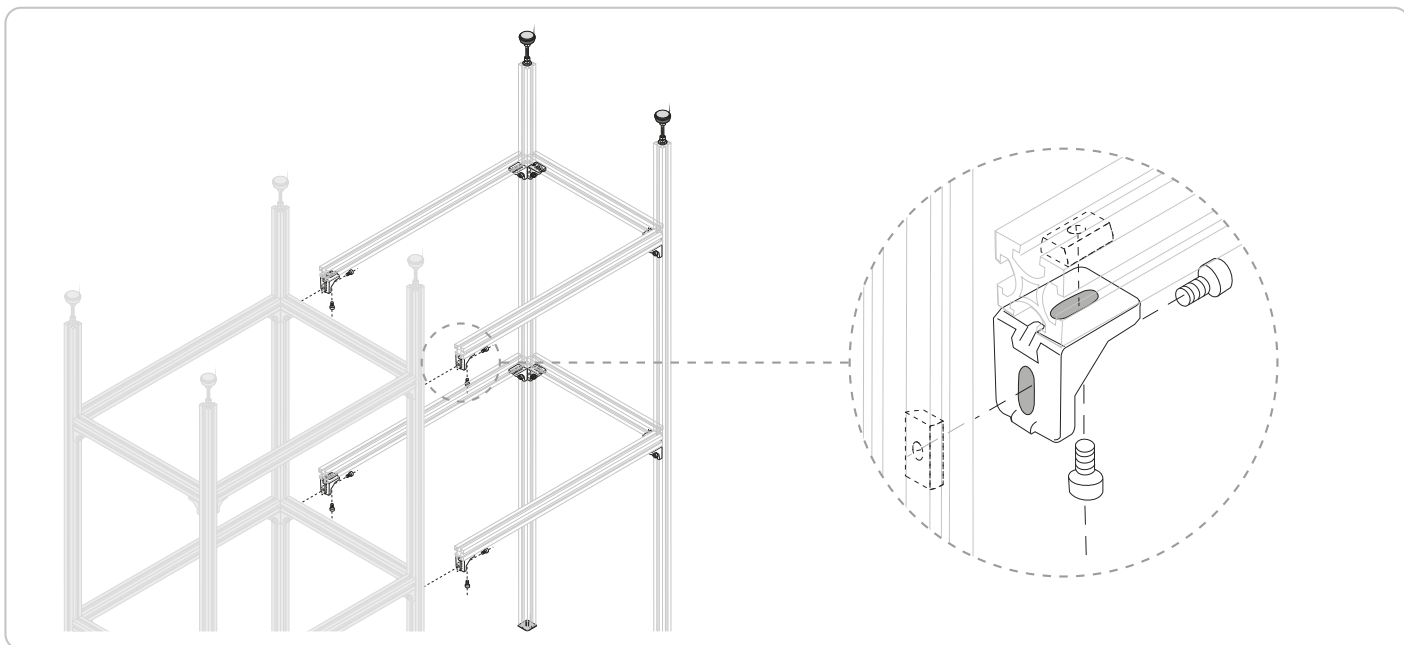
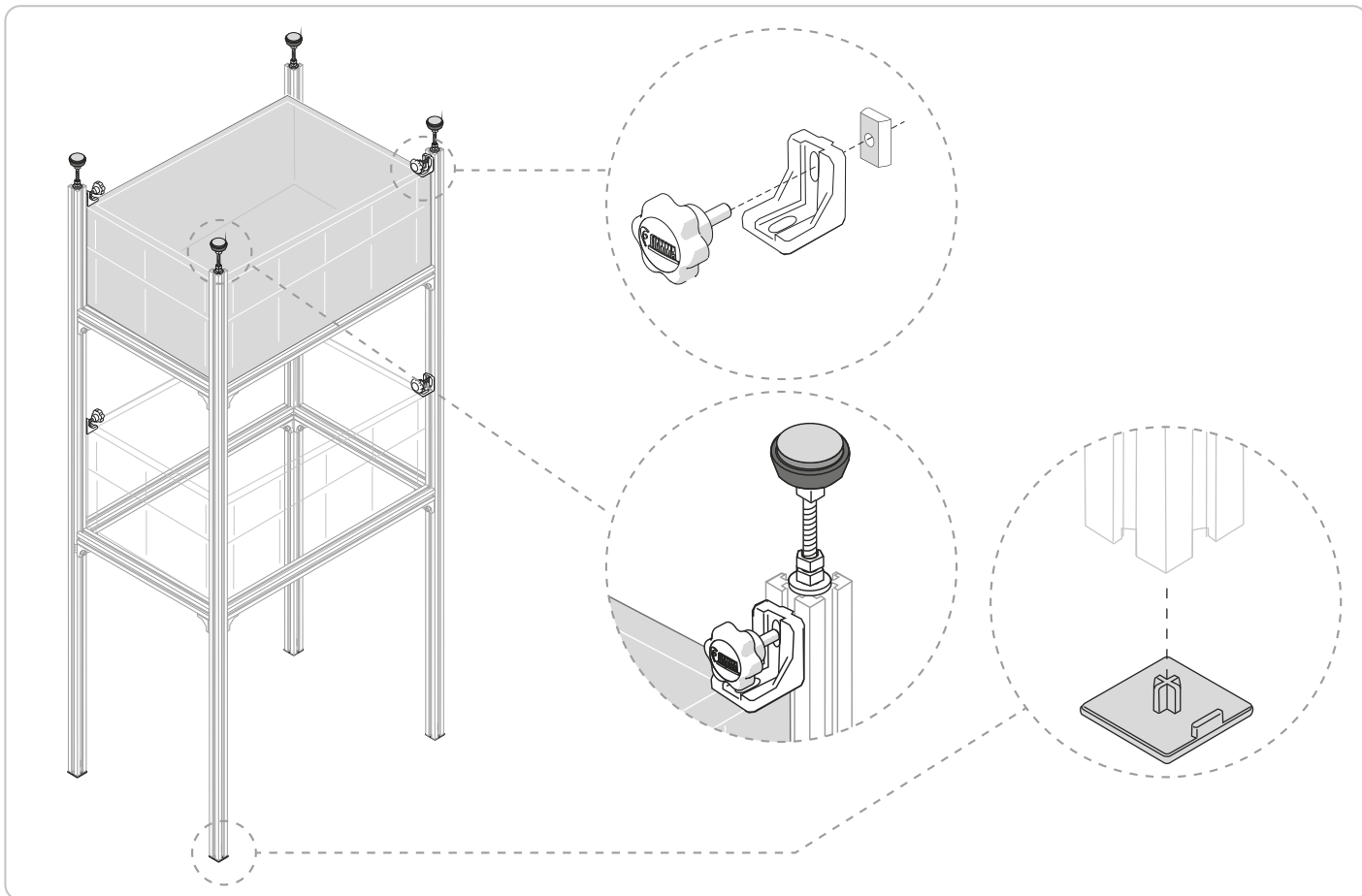


## GARAGE BOX



## KIT GARAGE WALL BRACKETS

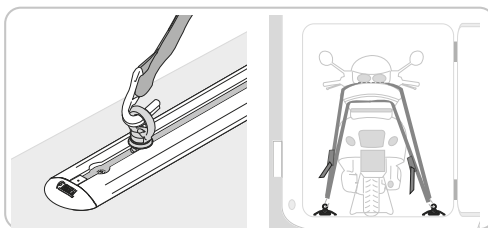
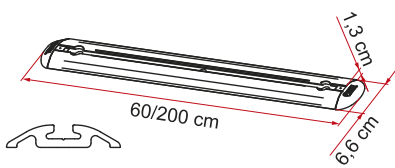




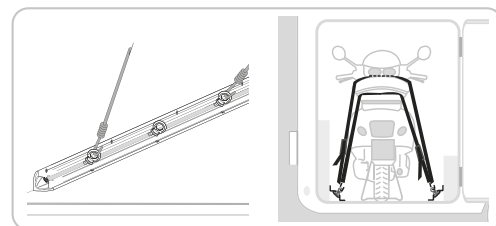
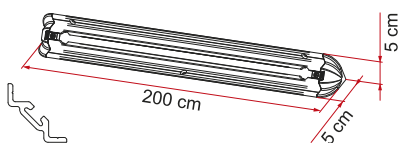
Description	Weight	Item No.	EAN code
Garage System Standard	5,7 kg	98655-907	8004815296087
Garage System Upgrade	3,9 kg	98655-908	8004815296094
Garage System Support	0,9 kg	98656-772	8004815311391
Garage Box (3 pcs)	5,6 kg	98655-909	8004815296100
Kit Garage Wall Brackets	0,1 kg	06667-01-	8004815300845



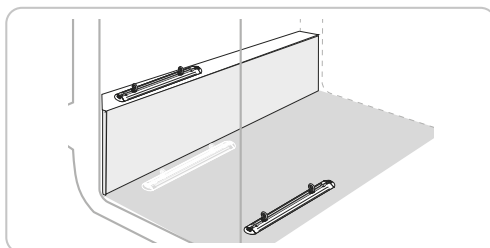
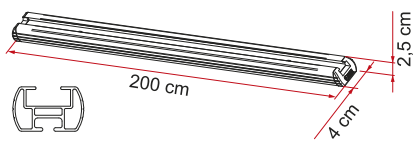
### GARAGE BARS PREMIUM



### GARAGE BARS CORNER



### GARAGE BARS



### KIT EYE



### KIR SQUARE PLATES

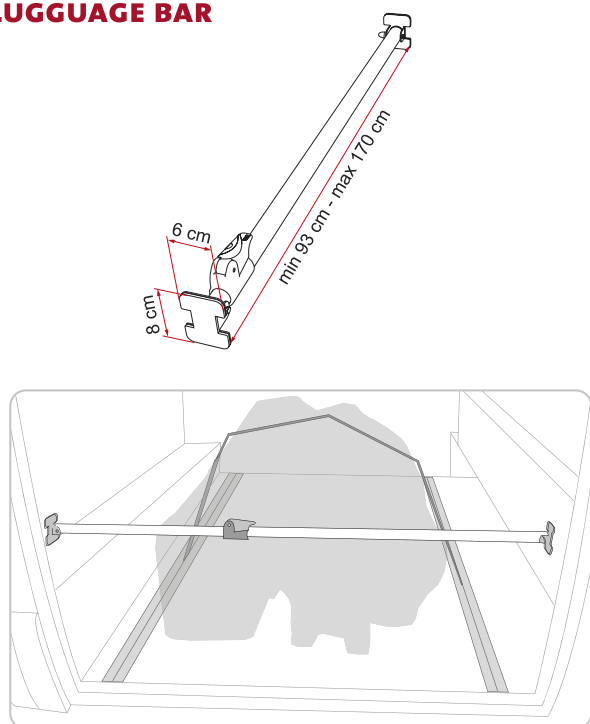


Description	Kit Eye Premium/Corner	Kit Eye	Weight	Item No.	EAN code
Garage Bars Premium 200	●/●		4,8 kg	98655-609	8004815297985
Garage Bars Premium 60			2,2 kg	98655-608	8004815297978
Garage Bars Corner	●/●		4,8 kg	98655-906	8004815295196
Garage Bars		●/●	3,1 kg	98655-480	8004815171063
Kit Eye Premium/Corner (2 pcs.)			0,1 kg	98655-735	8004815214500
Kit Eye (2 pcs.)			0,1 kg	98655-494	8004815275808
Kit Square Plates (4 pcs.)			0,1 kg	98655-485	8004815234515

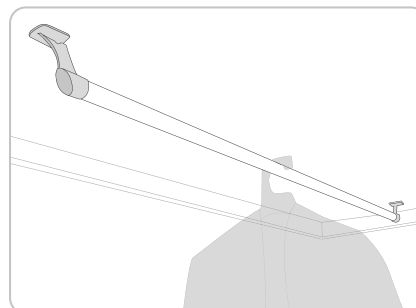
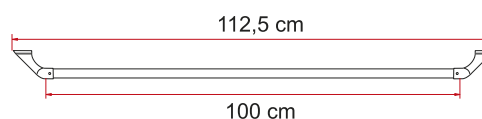
● Standard    ● Optional, can be purchased separately in case you want more sliding hooks



## LUGGUAGE BAR

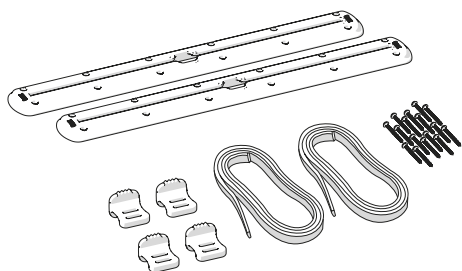


## GARAGE CARRY-RAIL



Description	Weight	Length	Item No.	EAN code
Luggage Bar	0,7 kg	min 93 cm - max 170 cm	05411-03-	8004815269081
Garage Carry-Rail	0,5 kg	112,5 cm	06112-01-	8004815270049

## CARGO STRAP

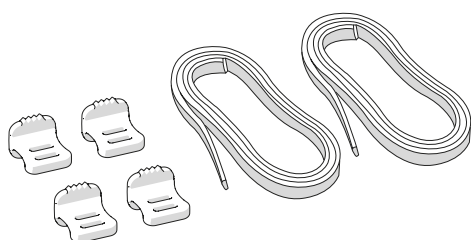


Strong fixing system to block or stop objects like: small tables, chairs, spare wheel, etc in the car boot or garage of your motorhome.

Delivered as standard with:

- 2x ABS tracks
- 4x hooks
- 2x rubber band
- 24x fixing screws

## KIT CARGO ACCESSORY



Optional kit recommended in combination with Cargo Strap in case of heavy or bulky objects.

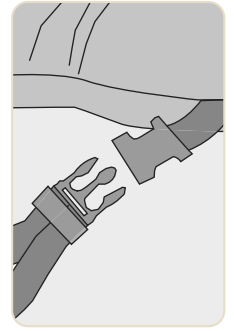
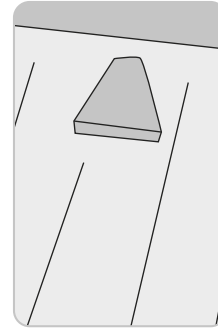
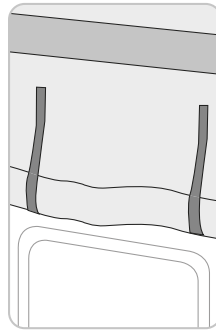
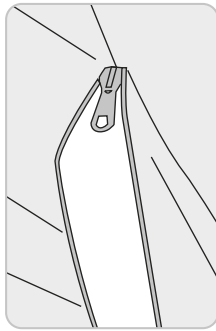
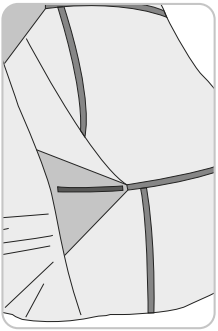
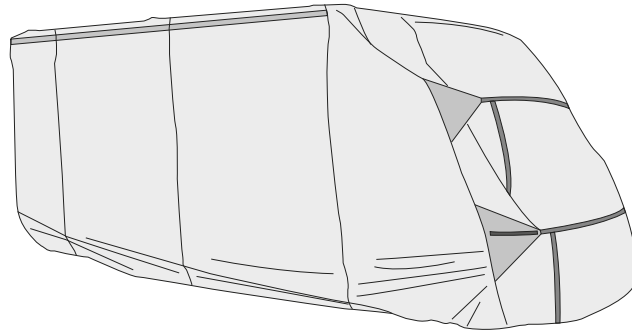
Composed of:

- 4x supplementary hooks
- 2x rubber band

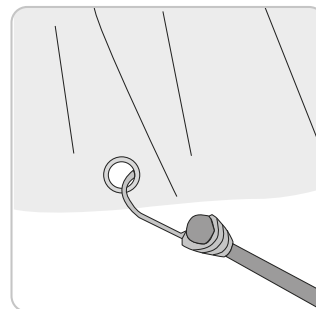
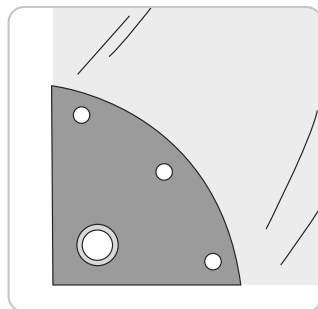
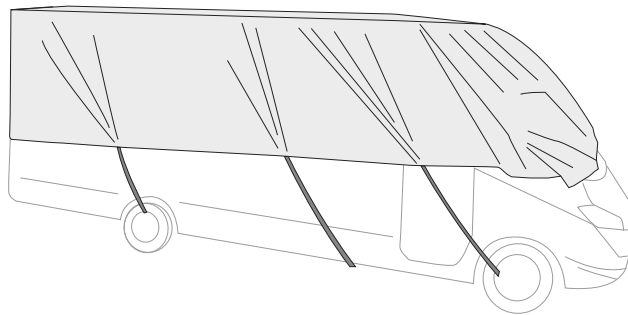
Description	Weight	Holds up	Item No.	EAN Code
Cargo Strap	0,5 kg	20 kg	05677-01-	8004815232009
Kit Cargo Accessory	0,1 kg	-	98656-510	8004815234492



## COVER PREMIUM M / L



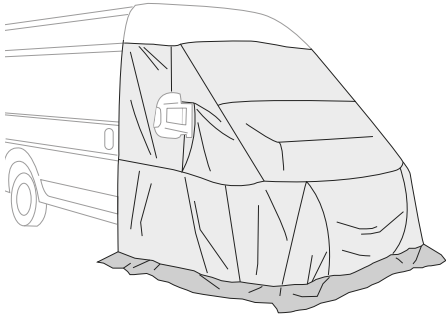
## COVER TOP



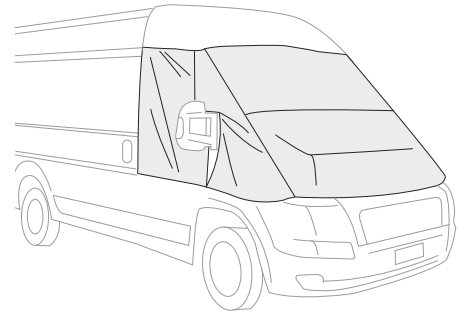
Description	Weight	Item No.	EAN code
Cover Premium M (fino a 7,1 m)	10,0 kg	07916-01-	8004815381639
Cover Premium L (fino a 8 m)	11,0 kg	07917-01-	8004815381646
Cover Top	6,0 kg	04932-01-	8004815176679



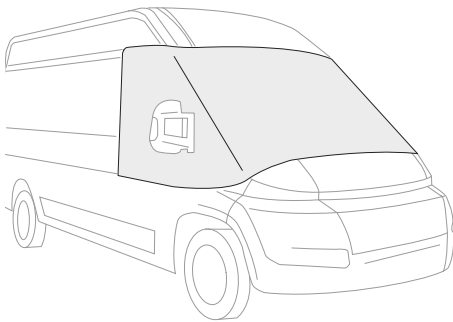
### THERMOGLAS XXL DUCATO



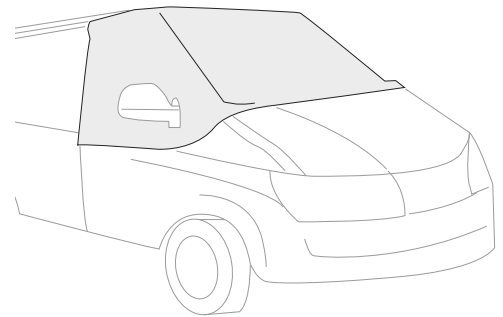
### THERMOGLAS DUCATO WINDSCREEN



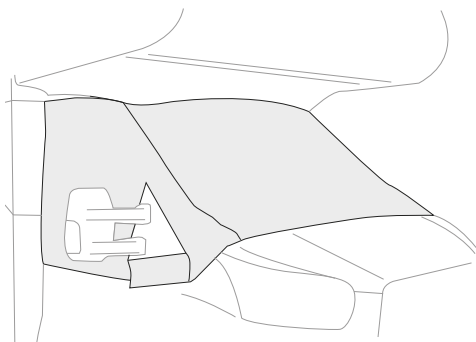
### COVERGLAS XL DUCATO



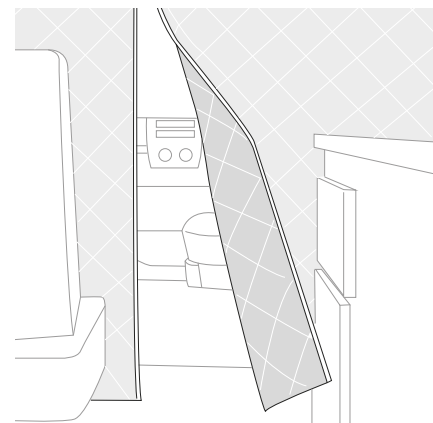
### COVERGLAS VW T5 / T6



### COVERGLAS FORD TRANSIT



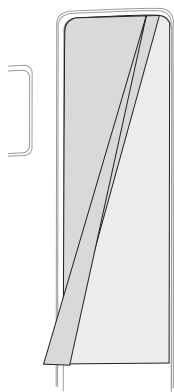
### THERMO WALL DUCATO CABIN



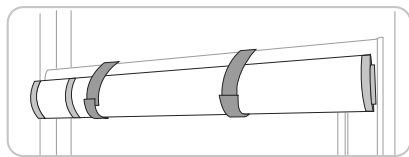
Description	Weight	Item No.	EAN code
Thermoglas XXL Ducato	11,0 kg	06344A01-	8004815283421
Thermoglas Ducato Windscreen	5,0 kg	08041-01-	8004815389277
Coverglas XL Ducato	3,5 kg	06344-01-	8004815283414
Coverglas VW T5 / T6	3,5 kg	06344B01-	8004815389253
Coverglas Ford Transit	3,5 kg	06344C01-	8004815389246
Thermo Wall Ducato Cabin	1,8 kg	06585A01-	8004815309640



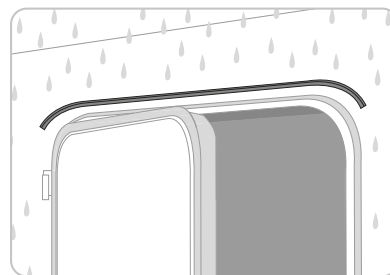
### MOSKITO NET / PRO



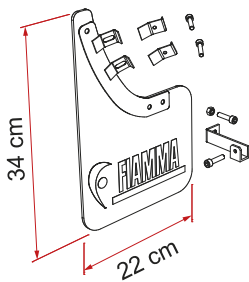
Moskito Net Pro: width 52 cm, length 230 cm  
 Moskito Net: width 35 cm, length 230 cm  
 Composed by two overlapping panels



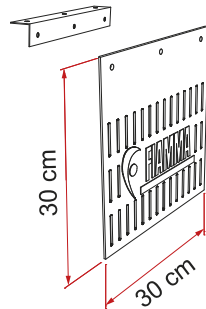
### DRIP STOP



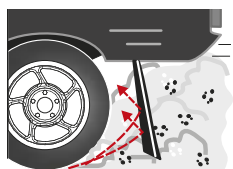
### MUD FLAP



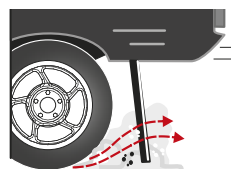
Mud Flap Front



Mud Flap Rear

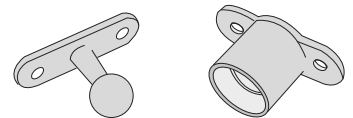
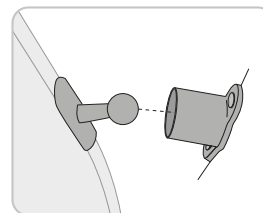


Tradizionale

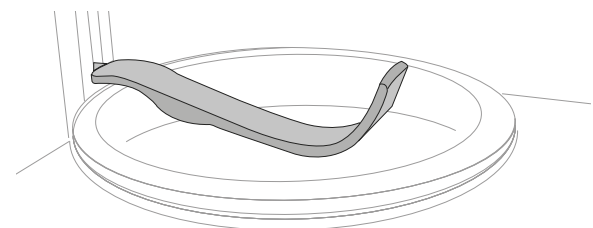


Fiamma

### DOOR HODER



### OMNI STOP

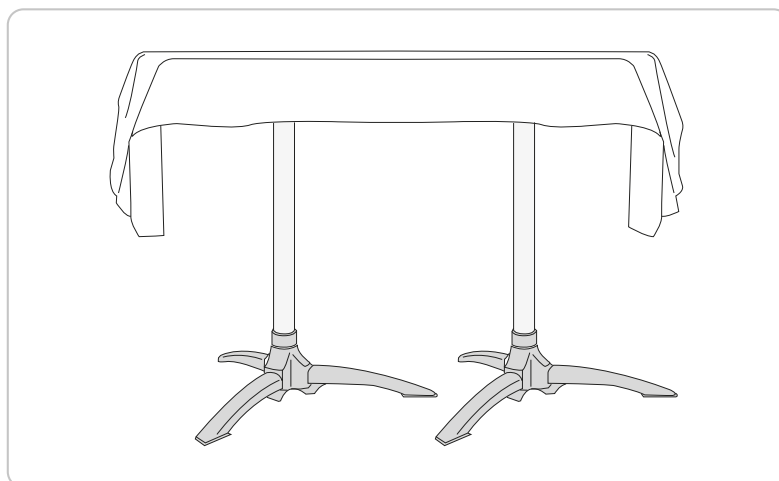
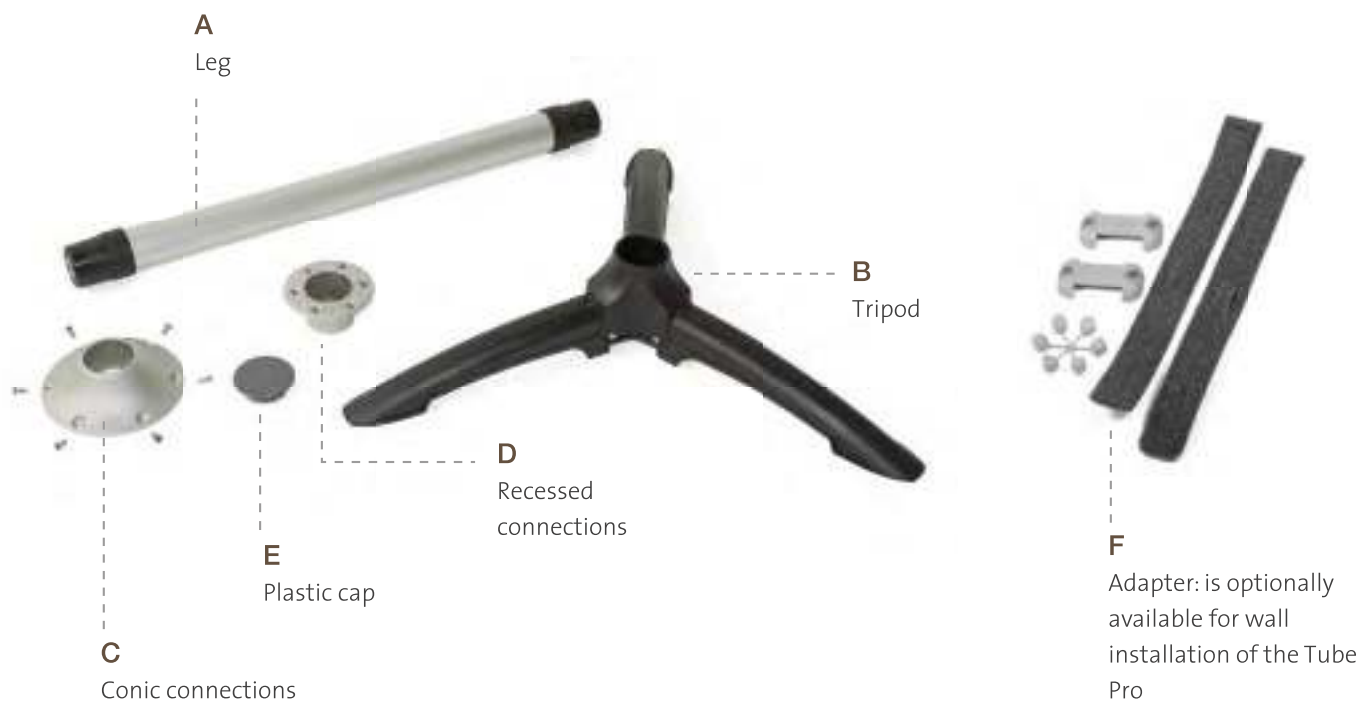


Description	Weight	Item No.	EAN code
Moskito Net Pro	0,6 kg	07485-01-	8004815348144
Moskito Net	0,5 kg	03508-01-	8004815029913
Drip Stop 75 White	0,2 kg	03922-01-	8004815077129
Drip Stop 300 White	0,8 kg	03922A01-	8004815315672
Drip Stop 1000 White	2,5 kg	03922D01-	8004815297046
Drip Stop 75 Grey	0,2 kg	03922-01G	8004815321536
Drip Stop 300 Grey	0,8 kg	03922A01G	8004815321543
Drip Stop 1000 Grey	2,5 kg	03922D01G	8004815321550
Drip Stop 75 Black	0,2 kg	03922-01A	8004815403522
Drip Stop 300 Black	0,8 kg	03922E01A	8004815403539
Drip Stop 1000 Black	2,5 kg	03922F01A	8004815403546

Description	Weight	Item No.	EAN code
Mud Flap Front	1,2 kg	06606-01-	8004815298371
Mud Flap Rear	1,2 kg	06607-01-	8004815298388
Door Holder	0,1 kg	04663-01A	8004815274436
Omni Stop	0,1 kg	04912-01-	8004815175993



## TABLE LEGS



Description	Weight	Item No.	EAN code
Tube Pro (A)	0,7 kg	06375A01-	8004815284442
Tripod (B)	1,0 kg	03362-01-	8004815113025
Conic Connection (C)	0,2 kg	C5063-01-	8004815191856
Recessed Connection (D)	0,1 kg	C0331-01-	8004815010331
Cap (E)	0,1 kg	02411-01B	8004815023324
Adapter Tube Pro (F)	0,1 kg	98655-605	8004815287566

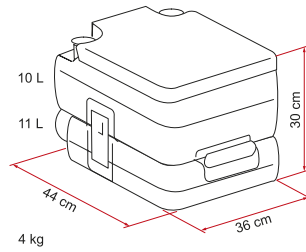




# Bi-Pot

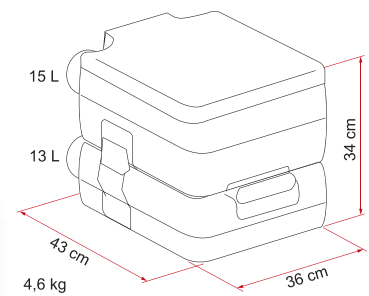
## BI-POT 30

SMALL



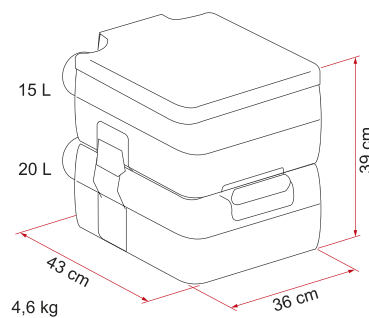
## BI-POT 34

MEDIUM



## BI-POT 39

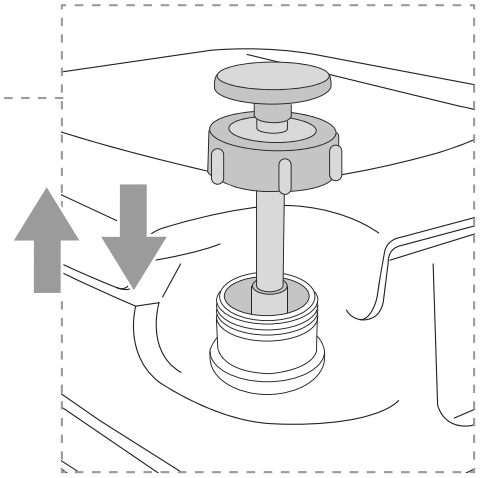
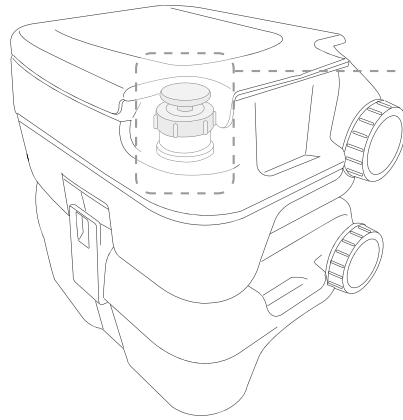
LARGE



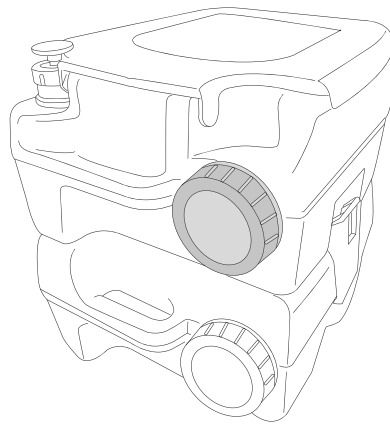
Description	Upper tank	Lower tank	Weight	Dimensions	Colour	Item No.	EAN code
Bi-Pot 30	10 l	11 l	4,0 kg	43x34x30h cm	grey	01356-01-	8004815240523
Bi-Pot 34	15 l	13 l	4,6 kg	43x36x34h cm	grey	01354-01-	8004815240400
Bi-Pot 39	15 l	20 l	4,6 kg	43x36x39h cm	grey	01355-01-	8004815240417

## USE

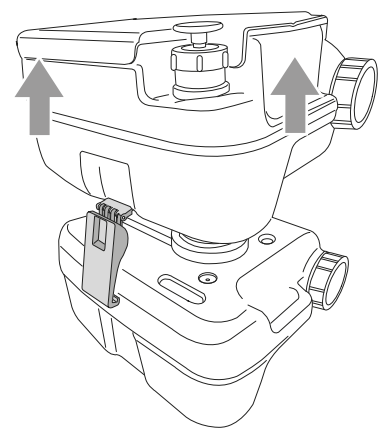
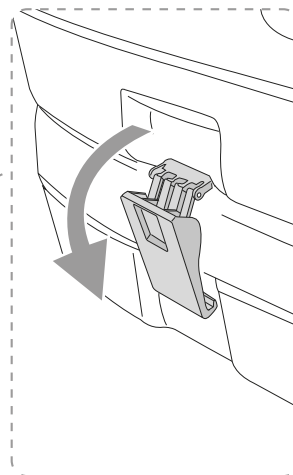
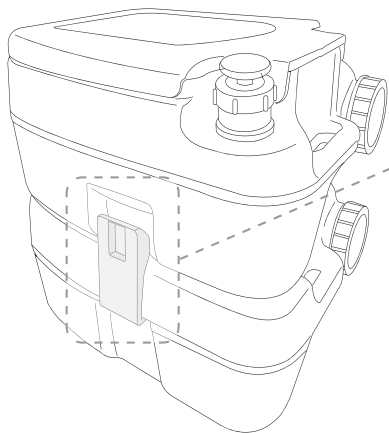
Sturdy piston pump guarantees 3 powerful directional rinsing jets



Large and handy charge and discharge openings with semi-transparent lid for better level control



Easy hooking, the only one with sturdy side hooks in stainless steel





## SUPER KEM BLUE



Detergent for fixed and portable toilets.

- 2L bottle
- Containing anti-freeze for temperatures up to -20°C
- 90% biodegradable

## SUPER KEM SACHETS



Powder disintegrating detergent

- One container contains 15 sachets of 30gr each
- Sachet single-dose, it will dissolve quickly in the water

## SUPER RINSE

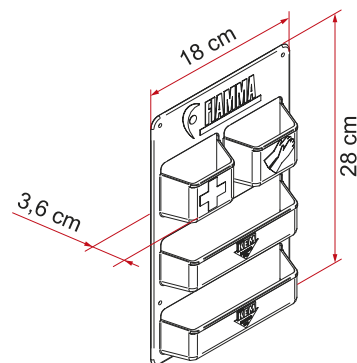


Scented bactericide for chemical toilet fresh water tanks. For portable or fixed toilet fresh water tanks.

- 1L bottle
- In accordance with European 648-2004 regulation

## POCKET KASSET

Storage module



Description	Item No.	EAN code	EAN code
Super Kem Blue	2,0 kg	97310-022	8004815174651
Super Kem Sachets	0,5 kg	97310-023	8004815255121
Super Rinse	0,7 kg	97310-080	8004815063832
Pocket Kasset	0,2 kg	06339-01-	8004815283179



## DISPENSER



Refillable liquid dispenser, ideal for soap or shampoo

- Capacity: 0.2 litres
- Dimensions: 150x8x55mm

## SOFT 6



Special 2-layered soft toilet paper

- Ideal for fixed and portable toilets thanks to its dissolving formula
- 300 sheets per roll. 6 roll pack

## TOILET BRUSH PRO



Toilet brush holder

- Complete with Velcro for convenient attachment
- Colour: White

## TOILET BRUSH



- Delivered as standard with velcro to be fixed to the inside Bi-Pot cover
- Colour: White

## BIDET



- Bidet Universal for all Bi-Pot types; also adapts to Thetford Porta Potti, Cassette 1, 2, 3, and 4.
- Bidet 200 for swivelling Thetford Cassette 200, C250 and Dometic CT3000

Description	Weight	Item No.	EAN code
Dispenser	0,2 kg	04777-01-	8004815169640
Soft 6	0,7 kg	97312-010	8004815138868
Toilet Brush Pro	0,2 kg	98659-035	8004815172855

Description	Weight	Item No.	EAN code
Toilet Brush	0,1 kg	98659-025	8004815032005
Bidet Universal	0,3 kg	03483-01-	8004815036201
Bidet 200	0,3 kg	03483A01-	8004815031992

**Copyright Fiamma 03/2021. All rights reserved.** Printed in Italy.

All illustrations and specifications contained in this catalogue are based on the most recent information at the time of the publication. Fiamma S.p.A. reserves the right to modify at any time, without notice, prices, materials, specifications and models or to cease production of any model. Fiamma is not responsible for possible mistakes of printing or inexactnesses pertinent to the contents of the catalogue. The colour of the production may be different because of the processes of printing.

**Fiamma SpA - Italy**  
Via S. Rocco, 56  
21010 Cardano al Campo (VA)  
Fax +39 0331 263 777

fiamma.com